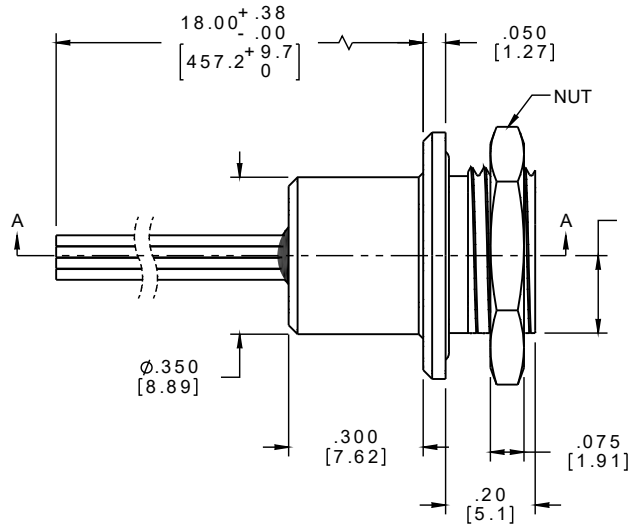
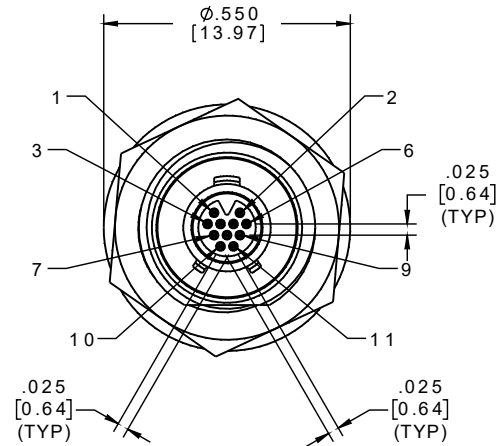


PART NO.	A 79436-001	REV	ECO	DATE	APP
		B	107986	04-13-22	BAS

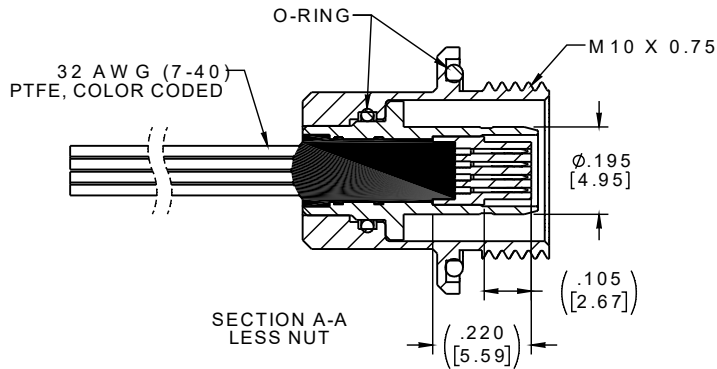
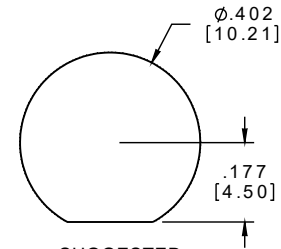


ACTUAL SIZE
EXCLUDING WIRE LENGTH



PIN #	COLOR
1, 11	BLACK
2	BROWN
3	RED
4	ORANGE
5	YELLOW
6	GREEN
7	BLUE
8	VIOLET
9	GRAY
10	WHITE

INTERNAL USE ONLY
USE MFG LOADING
PROCEDURE NC-11P



SECTION A-A
LESS NUT

IP68

NOTES:

1. DIMENSIONS IN [] ARE IN MILLIMETERS UNLESS OTHERWISE NOTED AND ARE FOR REFERENCE ONLY.

KERN P SIDW	THIRD ANGLE	THIS DRAWING CONTAINS CONFIDENTIAL AND PROPRIETARY INFORMATION WHICH IS THE PROPERTY OF OMNETICS CONNECTOR CORP. THIS DOCUMENT MAY NOT, IN WHOLE OR IN PART, BE DUPLICATED, OR DISCLOSED FOR ANY PURPOSE, WITHOUT WRITTEN PERMISSION FROM OMNETICS CONNECTOR CORP.
	-TOLERANCES-	
	DIMENSIONS IN INCHES	
	2 PL DEC: .01 3 PL DEC: .005 4 PL DEC: .0005 ANGLES ± 1°	
TITLE: (11) PIN MALE NANO KEYED BREAK AWAY PANEL MOUNT SEALED CIRCULAR CONNECTOR		DATE: 03-09-16
DFTM. ERB		

OMNETICS
CONNECTOR CORPORATION
7260 COMMERCE CIRCLE EAST
MINNEAPOLIS, MN 55432
WWW.OMNETICS.COM

DWG NO.	CAGE CODE 61873
A 79436-001	
SHEET 1 OF 2	SCALE: 3:1 REV B