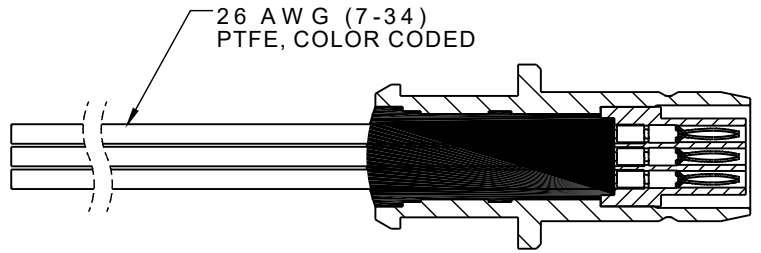
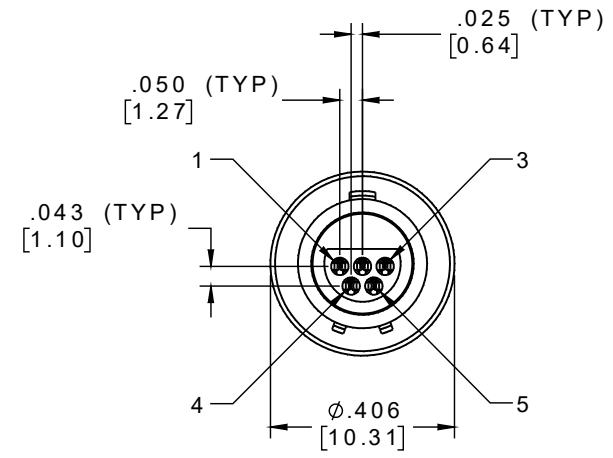
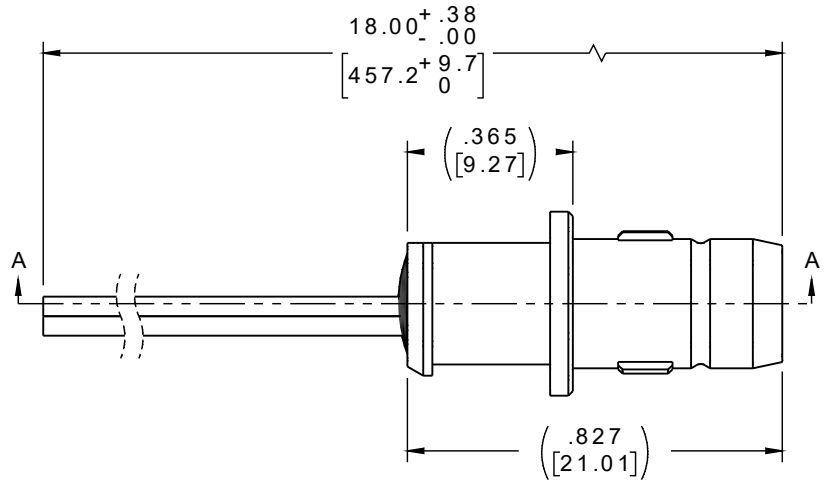
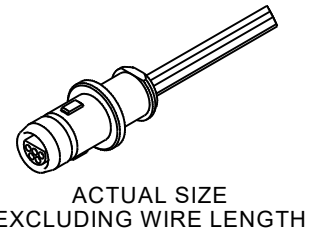


PART NO.	A22560-001	REV	ECO	DATE	APP
		1			



SECTION A-A

PIN #	COLOR
1	BLACK
2	BROWN
3	RED
4	ORANGE
5	YELLOW



NOTES:

1. DIMENSIONS IN [] ARE IN MILLIMETERS UNLESS OTHERWISE NOTED AND ARE FOR REFERENCE ONLY

KBM/SLDW	THIRD ANGLE	THIS DRAWING CONTAINS CONFIDENTIAL AND PROPRIETARY INFORMATION WHICH IS THE PROPERTY OF OMNETICS CONNECTOR CORP. THIS DOCUMENT MAY NOT, IN WHOLE OR IN PART, BE DUPLICATED, OR DISCLOSED FOR ANY PURPOSE, WITHOUT WRITTEN PERMISSION FROM OMNETICS CONNECTOR CORP.
	-TOLERANCES-	
	DIMENSIONS IN INCHES	
	2 PL DEC ± .01 3 PL DEC ± .005 4 PL DEC ± .0005 ANGLES ± 1°	
	TITLE:	(5) PIN MALE
	DFTM. NPS	MICRO BREAK AWAY
	DATE	06-02-23
		CIRCULAR CONNECTOR

OMNETICS
CONNECTOR CORPORATION
 8840 EVERGREEN BLVD.
 MINNEAPOLIS, MN 55433
 WWW.OMNETICS.COM

DWG NO.	CAGE CODE 61873
A22560-001	
SHEET 1 OF 1	SCALE: 5:2
	REV 1