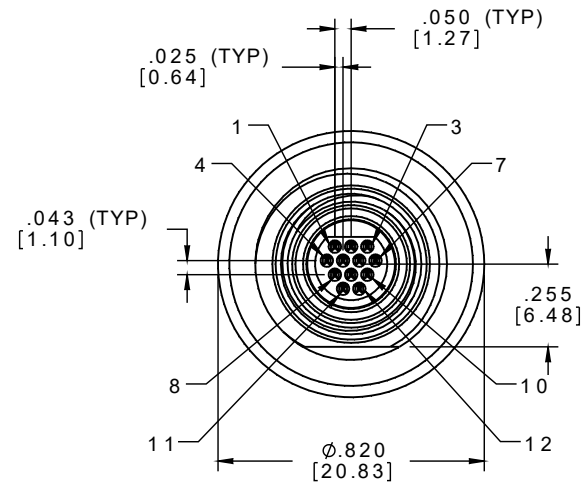
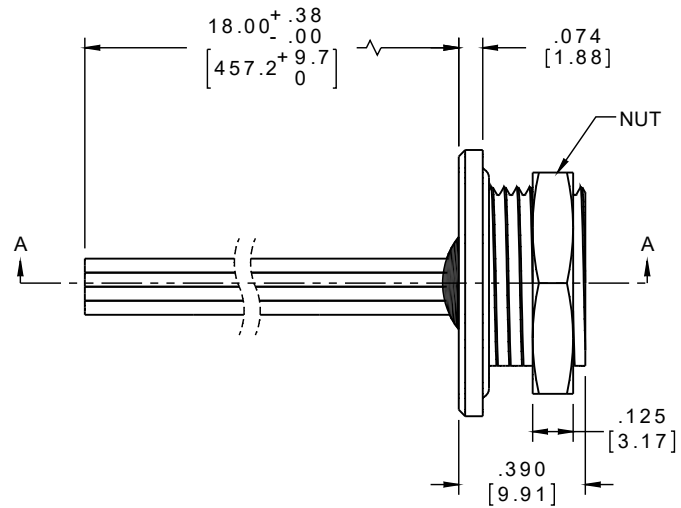


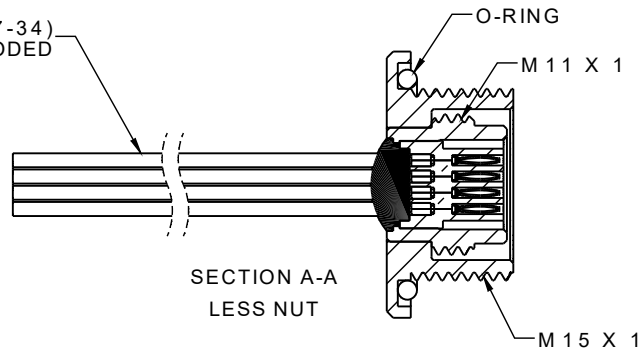
PART NO.	A22375-001	REV	ECO	DATE	APP
		A	101302	02-17-15	TLM



VIEW SHOWN LESS NUT

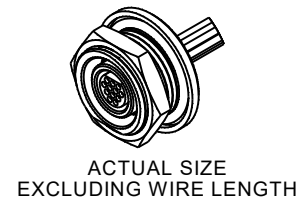
26 AWG (7-34)
PTFE, COLOR CODED

PIN #	COLOR
1	BLACK
2	BROWN
3	RED
4	ORANGE
5	YELLOW
6	GREEN
7	BLUE
8	VIOLET
9	GRAY
10	WHITE
11	WHT/BLK
12	WHT/BRN



SECTION A-A
LESS NUT

INTERNAL USE ONLY
USE MFG LOADING
PROCEDURE MC-12P



NOTE:

DIMENSIONS IN [] ARE IN MILLIMETERS UNLESS OTHERWISE NOTED AND ARE FOR REFERENCE ONLY

MMICP SLD/W	THIRD ANGLE	THIS DRAWING CONTAINS CONFIDENTIAL AND PROPRIETARY INFORMATION WHICH IS THE PROPERTY OF OMNETICS CONNECTOR CORP. THIS DOCUMENT MAY NOT, IN WHOLE OR IN PART, BE DUPLICATED, OR DISCLOSED FOR ANY PURPOSE, WITHOUT WRITTEN PERMISSION FROM OMNETICS CONNECTOR CORP.		
	-TOLERANCES-	DFTM. TLM	DATE	TITLE:
	UNLESS OTHERWISE NOTED		02-12-15	(12) PIN MALE
	DIMENSIONS IN INCHES	CHK'D.		CIRCULAR CONNECTOR
	2 PL DEC ± .01	APP'D.		W/METAL SHELL
	3 PL DEC ± .005			
	4 PL DEC ± .0005			
	ANGLES ± 1°			

OMNETICS
CONNECTOR CORPORATION
7260 COMMERCE CIRCLE EAST
MINNEAPOLIS, MN 55432
WWW.OMNETICS.COM

CAGE CODE 61873	REV
DWG NO. A22375-001	A
SHEET 1 OF 2	
SCALE: 2:1	