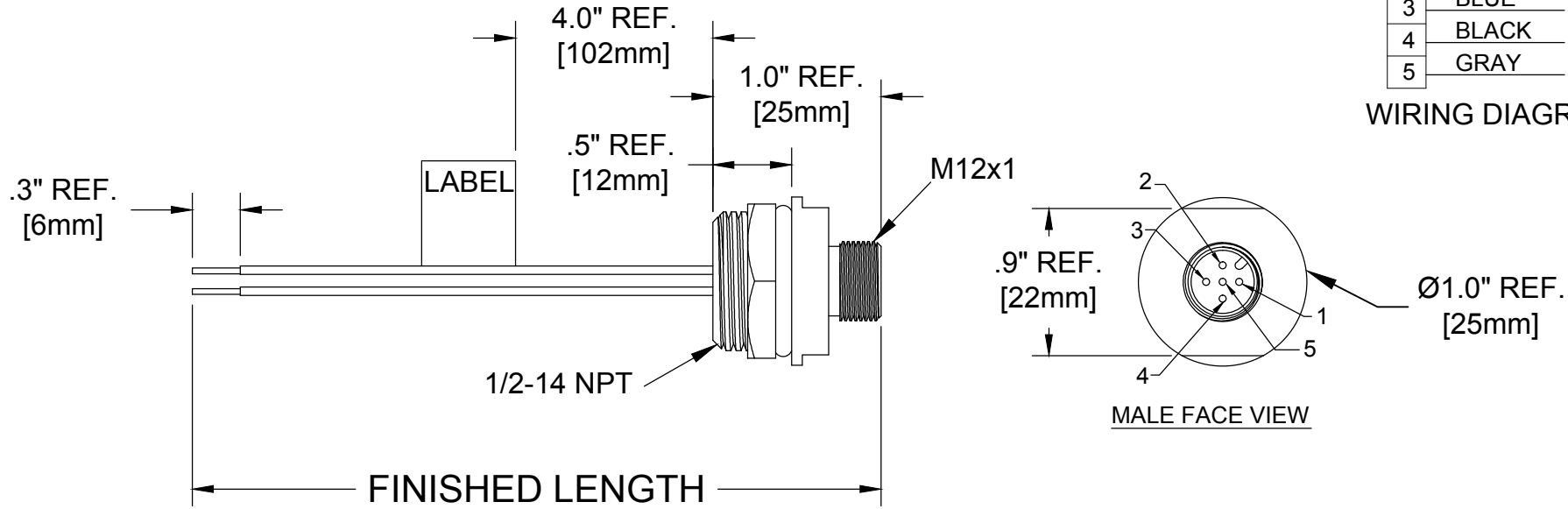


MATERIAL NUMBER	OLD PART NUMBER	FINISHED LENGTH
120070-0251	8R5006A18A060	6" +.75" -0 [1.2M +19.1 -0]
120070-0252	8R5006A18A120	12" +.75" -0 [1.3M +19.1 -0]

1	BROWN
2	WHITE
3	BLUE
4	BLACK
5	GRAY

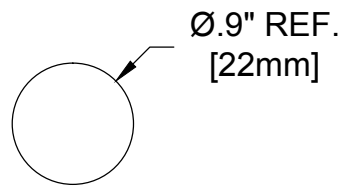
WIRING DIAGRAM



8R5006A18A060

cable type
22/1 AWG
PVC

cable length
060----6 inches
120----12 inches



VOLTAGE RATING	250 VAC/VDC
AMPERAGE RATING	4 AMPS
PROTECTION	IP67
OPERATING TEMPERATURE	-20°C TO 80°C
UL CERTIFICATIONS	UL LISTED, FILE NO. E152210
CSA CERTIFICATIONS	CSA CERTIFIED, FILE NO. LR6837

COMPONENT	MATERIAL	FINISH
INSERT	NYLON	BLACK
CONTACT PIN	COPPER ALLOY	GOLD OVER NICKEL
RECEPTACLE SHELL	ALUMINUM	BLACK ANODIZED
O-RING	NITRILE	BLACK
LOCKNUT	STEEL	ZINC PLATED
CONDUCTOR -22 AWG, 26 x #36 STRANDING, 300 VOLTS	PVC	SEE WIRING DIAGRAM
FLAG LABEL	VINYL	CLEAR/YELLOW

UPDATED FOR PART MATRIX
EC NO: IFC2014-0988
DRWN: GGUSTAFS 11/26/13
CHKD: TWOLDEGE
APPR: BWOODMAN 2009/08/26

QUALITY SYMBOLS
▽=0
▽C=0

	GENERAL TOLERANCES (UNLESS SPECIFIED)	
	mm	INCH
4 PLACES	±---	±---
3 PLACES	±---	±.005
2 PLACES	±.13	±.010
1 PLACE	±.25	±.020
ANGULAR ±.5°		

DRAFT WHERE APPLICABLE MUST REMAIN WITHIN DIMENSIONS

DIMENSION STYLE		SCALE	DESIGN UNITS	THIRD ANGLE PROJECTION
IN/MM		NTS	INCH	
DRAWN BY	DATE	TITLE MICRO-CHANGE RECEPTACLE 5 POLE MALE 1/2-14 NPT 22/1 AWG PVC		
BW	2009/08/25			
CHECKED BY	DATE			
TW	2009/08/25	MOLEX INCORPORATED		
APPROVED BY	DATE			
JFMURPHY	2009/08/26	DOCUMENT NO.		SHEET NO.
MATERIAL NO.		SD-120070-006		1 OF 1

SEE CHART

THIS DRAWING CONTAINS INFORMATION THAT IS PROPRIETARY TO MOLEX INCORPORATED AND SHOULD NOT BE USED WITHOUT WRITTEN PERMISSION