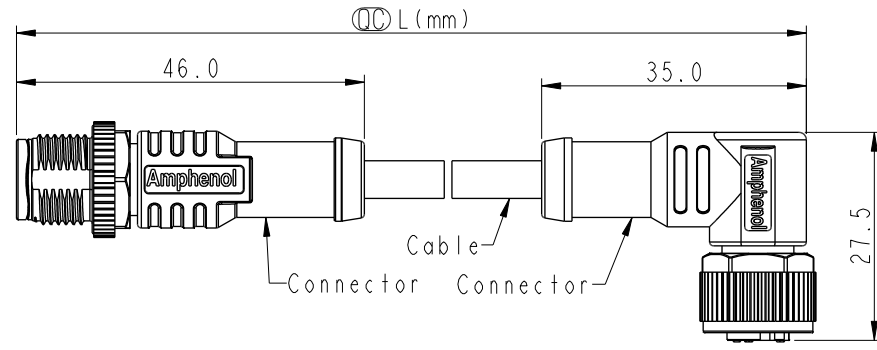
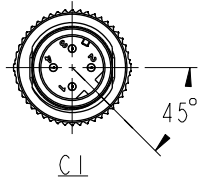


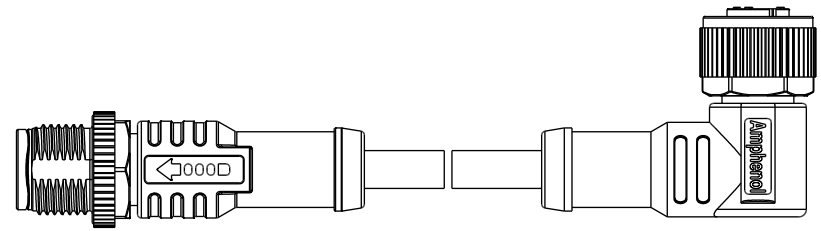
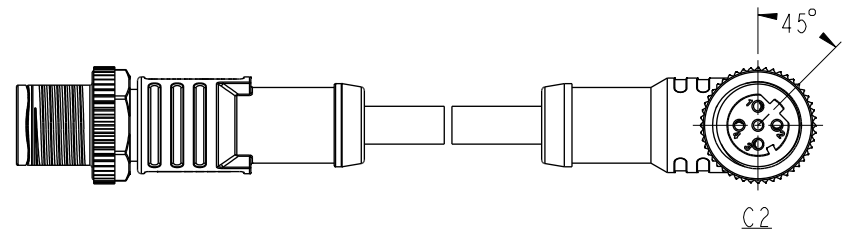
THIS DOCUMENT IS SUBJECT TO CHANGE WITHOUT NOTICE. IT IS CONFIDENTIAL AND A PROPERTY OF Amphenol LTW. DISCLOSURE TO THIRD PARTY HAS TO BE AUTHORIZED BY Amphenol LTW.

REV.	ECN NO.	DATE	SIGN	DESCRIPTION
C	C210025	2021/01/19	Vicky	$\triangle C$ X1
D	C210235	2021/03/25	Ruru	$\triangle D$ X2
E	C222002	2022/12/29	Ruru	$\triangle E$ X2



$\triangle B$ MI2DXXML-12DFR-SDXXX
 XX: No. Of Pin
 XXX: 0.5~99Meters
 A05: 0.5 Meter
 001: 1 Meter
 002: 2 Meters
 :
 099: 99 Meters

Pin Out	5	--	
	4	Black	黑
	3	Blue	藍
	2	White	白
	1	Brown	棕
	Pin #	Wire	
C2			
	4P		
C1			
	4P		



Note: $\triangle B$ $\triangle C$ $\triangle D$
 * RoHS Compliant
 * \circ Important dimension
 * C1
 $\triangle E$ Waterproof rate: IP68, mated 1m/24h
 IP69K, mated
 Housing: Thermoplastic, Black
 Pin: Copper alloy, Gold plated
 Nut: Metal
 Outer mold: Thermoplastic, Black
 * C2
 $\triangle E$ Waterproof rate: IP68, mated 1m/24h
 IP69K, mated
 Housing: Thermoplastic, Black
 Pin: Copper alloy, Gold plated
 O-Ring: Rubber, Green
 Nut: Metal
 Outer mold: Thermoplastic, Black
 * Cable: UL2517, 22#*4C, OD=4.8mm, PVC Jacket, Black
 * Cable length tolerance: 0.5M < L ≤ 1M: +60/-0 mm
 1M < L ≤ 3M: +120/-0 mm
 3M < L ≤ 5M: +160/-0 mm
 5M < L ≤ 10M: ±100 mm
 10M < L ≤ 20M: ±200 mm
 20M < L ≤ 30M: ±300 mm
 30M < L ≤ 99M: ±500 mm

Pin Assignments Front View

UNIT:mm	
TOLERANCE	±0.5 mm

TITLE ACC, SEN, D Code, DB-ENDED MF \triangle		
SCALE 1:2	SIZE A4	SHEET 1 OF 1
REV. E	WC-REV. A.1	\circ : Inspection item

Amphenol LTW
 安費諾亮泰企業股份有限公司

ITEM NO	DRAWN BY Vicky	DATE 2018-12-05
DWG NO $\triangle B$ MI2DXXML-12DFR-SDXXX	CHECKED BY Rita	DATE 2018-12-05
CUSTOMER ALTW	APPROVED BY Max	DATE 2018-12-05