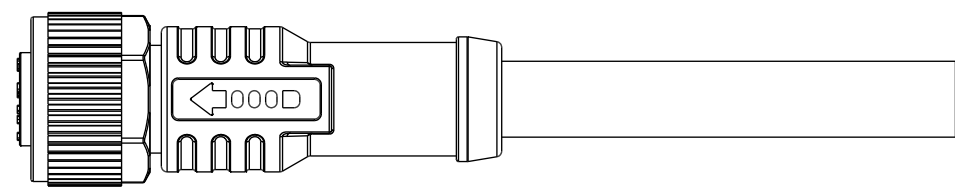
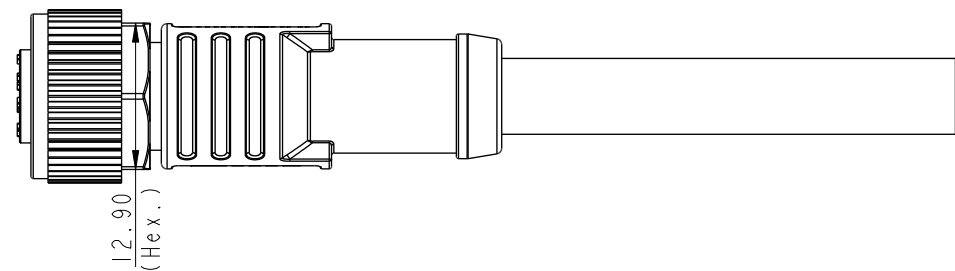
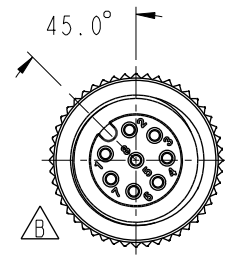
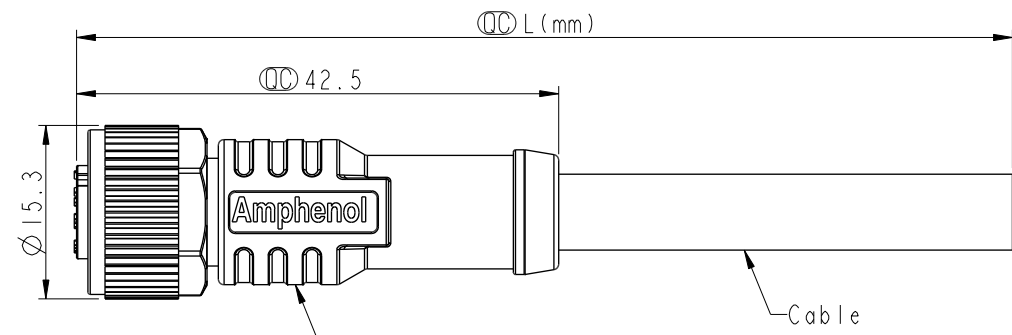


THIS DOCUMENT IS SUBJECT TO CHANGE WITHOUT NOTICE. IT IS CONFIDENTIAL AND A PROPERTY OF Amphenol LTW. DISCLOSURE TO THIRD PARTY HAS TO BE AUTHORIZED BY Amphenol LTW.

REV.	ECN NO.	DATE	SIGN	DESCRIPTION
B	C210220	2021/03/05	Vicky	$\triangle B$ X5
C	C221891	2022/12/16	Vicky	$\triangle C$ XI



$\triangle B$
Note:
 * RoHS Compliant
 * \circledast Important dimension
 $\triangle C$ * Waterproof rate: IP68, mated 1m/24h
 IP69K, mated

- * Connector
- Housing: Thermoplastic, Black
- Pin: Copper alloy, Gold plated
- O-Ring: Rubber, Green
- Nut: Metal
- Outer mold: Thermoplastic, Black
- * Cable: UL20549, TPU Jacket, Black
- * Cable length tolerance: 1M: +50/-0 mm
- 1M < L ≤ 3M: +100/-0 mm
- 3M < L ≤ 5M: +150/-0 mm
- 5M < L ≤ 10M: ±100 mm
- 10M < L ≤ 20M: ±200 mm
- 20M < L ≤ 30M: ±300 mm
- 30M < L ≤ 99M: ±500 mm

UNIT: mm TOLERANCE ±0.5mm

TITLE N SEN, M12 A, SCREW CABLE W/O SR, F, F, MOLDING			$\triangle B$
SCALE 1:1	SIZE A4	SHEET 1 OF 2	
REV. C	WC-REV. .0	\circledast : Inspection item	

Amphenol LTW
安費諾亮泰企業股份有限公司

ITEM NO	DRAWN BY Ouyang	DATE 2020-11-18
DWG NO M12A-XXBFFM-SL8NXX	CHECKED BY Jerry	DATE 2020-11-18
CUSTOMER ALTW	APPROVED BY Fred	DATE 2020-11-18

THIS DOCUMENT IS SUBJECT TO CHANGE WITHOUT NOTICE. IT IS CONFIDENTIAL AND A PROPERTY OF Amphenol LTW. DISCLOSURE TO THIRD PARTY HAS TO BE AUTHORIZED BY Amphenol LTW.

12P	6.2	26	M12A-12BFFM-SL8NXX
10P	6.0		M12A-10BFFM-SL8NXX
8P	6.7	24	M12A-08BFFM-SL8NXX
6P	5.5		M12A-06BFFM-SL8NXX
5P	5.6	22	M12A-05BFFM-SL8NXX
4P	5.4		M12A-04BFFM-SL8NXX
3P	5.2	20	M12A-03BFFM-SL8NXX
Contacts	Cable OD	AWG	Item No.

M12A-XXBFFM-SL8NXX

XX: No. Of Pin

XX: 01~99Meters
 01: 01Meter
 02: 02Meters
 .
 99: 99Meters

Pin Out	Wire	Wire	Wire	Wire	Wire	Wire	Wire
5	-----	5	-----	5	Yellow 黃	8	-----
4	White 白	4	orange 橘	4	orange 橘	7	Gray 灰
3	Blue 藍	3	Red 紅	3	Red 紅	6	Yellow 黃
2	-----	2	Brown 棕	2	Brown 棕	5	-----
1	Brown 棕	1	Black 黑	1	Black 黑	4	Green 綠
						3	White 白
						2	Blue 藍
						1	Brown 棕
						10	purple 紫
						9	Black 黑
						8	Red 紅
						7	Pink 粉
						6	Gray 灰
						5	Yellow 黃
						4	Green 綠
						3	White 白
						2	Blue 藍
						1	Brown 棕
						11	Red/Blue 紅/藍
						10	Gray/Pink 灰/粉
						9	purple 紫
						8	Black 黑
						7	Red 紅
						6	Pink 粉
						5	Gray 灰
						4	Yellow 黃
						3	Green 綠
						2	White 白
						1	Blue 藍
						1	Brown 棕

Pin Assignments Front View

UNIT:mm TOLERANCE ±0.5mm	TITLE N SEN, M12 A, SCREW CABLE W/O SR, F, F, MOLDING		 安費諾亮泰企業股份有限公司	ITEM NO	DRAWN BY	DATE	
	SCALE 1:1	SIZE A4		SHEET 2 OF 2	DWG NO M12A-XXBFFM-SL8NXX	CHECKED BY Jerry	DATE 2020-11-18
	REV. C	WC-REV. .0		QC: Inspection item	CUSTOMER ALTW	APPROVED BY Fred	DATE 2020-11-18