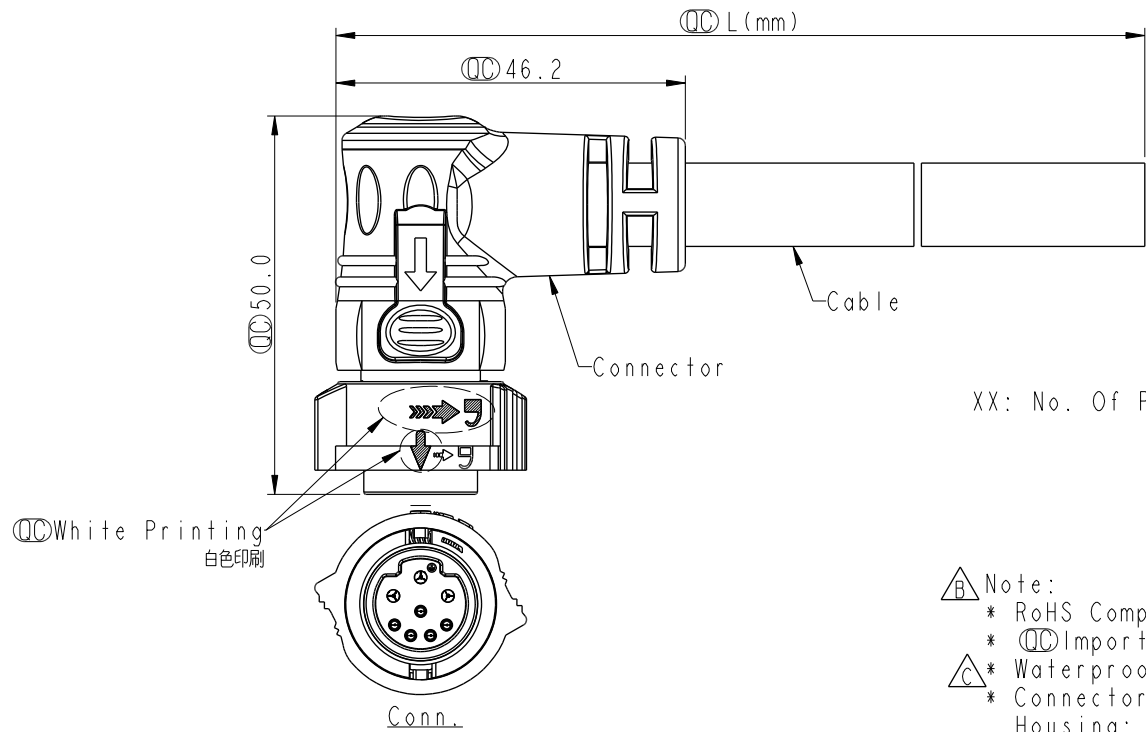


THIS DOCUMENT IS SUBJECT TO CHANGE WITHOUT NOTICE. IT IS CONFIDENTIAL AND A PROPERTY OF AMPHENOL LTW. DISCLOSURE TO THIRD PARTY HAS TO BE AUTHORIZED BY AMPHENOL LTW.

REV.	ECN NO.	DATE	SIGN	DESCRIPTION
A	Initial Release	2016/05/09	Spring	Change Rev.01 To Rev.A
B	C220629	2022/05/03	Vicky	△B X4
C	C230084	2023/01/30	Vicky	△C XI



△B
CBD-XXAFMM-QR8FXX

XX: No. Of Pin

XX:01~99Meters
01:01Meter
02:02Meters
:
99:99Meters

- △B Note:
- * RoHS Compliant
 - * Ⓞ Important dimension
 - △C * Waterproof rate: IP68, mated 1m/24h
 - * Connector
 - Housing: Thermoplastic, Black
 - Pin: Copper alloy, Gold plated
 - O-Ring: Rubber, Gray
 - Nut: Thermoplastic, Black
 - Outer mold: Thermoplastic, Black
 - * Cable: UL21996 (26#*2P+D+AL)+16#*3C+F+AL, PVC Jacket, OD=11.0, Black
 - * Cable length tolerance: 1M: +50/-0 mm
 - 1M < L ≤ 3M: +100/-0 mm
 - 3M < L ≤ 5M: +150/-0 mm
 - 5M < L ≤ 10M: ±100 mm
 - 10M < L ≤ 20M: ±200 mm
 - 20M < L ≤ 30M: ±300 mm
 - 30M < L ≤ 99M: ±500 mm

8P	8	Drain (26AWG)	地線	Twist 對線
	7	Blue (26AWG)	藍	
	6	Red (26AWG)	紅	Twist 對線
	5	Green (26AWG)	綠	
	4	White (26AWG)	白	
	3	Black (16AWG)	黑	
	2	Green (16AWG)	綠	
	1	White (16AWG)	白	
Conn.	Wire Color			

UNIT:mm		TOLERANCE		TITLE	
±0.5mm		XLOK, C-10A+5A, CABLE W/SR F, M, MOLDING, PUSH LOCK		XLOK, C-10A+5A, CABLE W/SR F, M, MOLDING, PUSH LOCK	
SCALE	1:1	SIZE	A4	SHEET	1 OF 1
REV.	C	WC-REV.	A.1	Ⓞ: Inspection item	

Amphenol LTW
安費諾亮泰企業股份有限公司

ITEM NO	DRAWN BY	DATE
CB	Spring	2016-05-09
DWG NO	CHECKED BY	DATE
△B CBD-XXAFMM-QR8FXX	Fisher	2016-05-09
CUSTOMER	APPROVED BY	DATE
ALTW	Kevin	2016-05-09