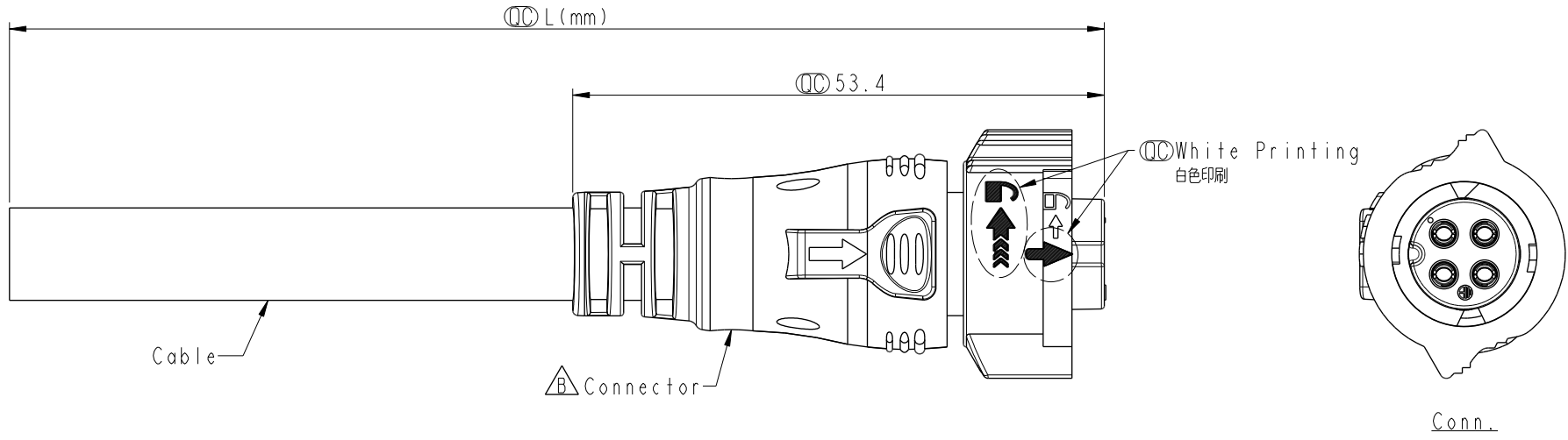


THIS DOCUMENT IS SUBJECT TO CHANGE WITHOUT NOTICE. IT IS CONFIDENTIAL AND A PROPERTY OF AMPHENOL LTW. DISCLOSURE TO THIRD PARTY HAS TO BE AUTHORIZED BY AMPHENOL LTW.

REV.	ECN NO.	DATE	SIGN	DESCRIPTION
B	LE31680199	2016/07/19	Tom Gu	Change Part No. of Half Finished
C	C220458	2022/03/31	Ruru	$\triangle C$ X8
D	C230120	2023/02/03	Ruru	$\triangle D$ XI



Note: $\triangle C$

- * RoHS Compliant
- * ϕ Important dimension
- $\triangle D$ * Waterproof rate: IP68, mated 1m/24h
- * Connector

Housing: Thermoplastic, Black
 Pin: Copper Alloy, Gold Plated
 O-Ring: Rubber, Dark Gray
 Nut: Thermoplastic, Black
 Outer mold: Thermoplastic, Black

- * Cable: SJTW, PVC Jacket, Black
- * Cable length tolerance: IM: +50/-0 mm

1M < L ≤ 3M	: +100/-0 mm
3M < L ≤ 5M	: +150/-0 mm
5M < L ≤ 10M	: ±100 mm
10M < L ≤ 20M	: ±200 mm
20M < L ≤ 30M	: ±300 mm
30M < L ≤ 99M	: ±500 mm

UNIT: mm		TITLE
TOLERANCE	± 0.5 mm	XLOK, B-10A, CABLE W/SR F, F, MOLDING, PUSH LOCK $\triangle C$
SCALE	3:2	SIZE A4
REV.	D	WC-REV. A.2
		ϕ : Inspection item

Amphenol LTW
 安費諾亮泰企業股份有限公司

ITEM NO	DRAWN BY	DATE
	Tom Gu	2016-07-19
DWG NO	CHECKED BY	DATE
BB-XXAFFM-QL8EXX $\triangle C$	Spring Liu	2016-07-19
CUSTOMER	APPROVED BY	DATE
ALTW	Kevin Hu	2016-07-19

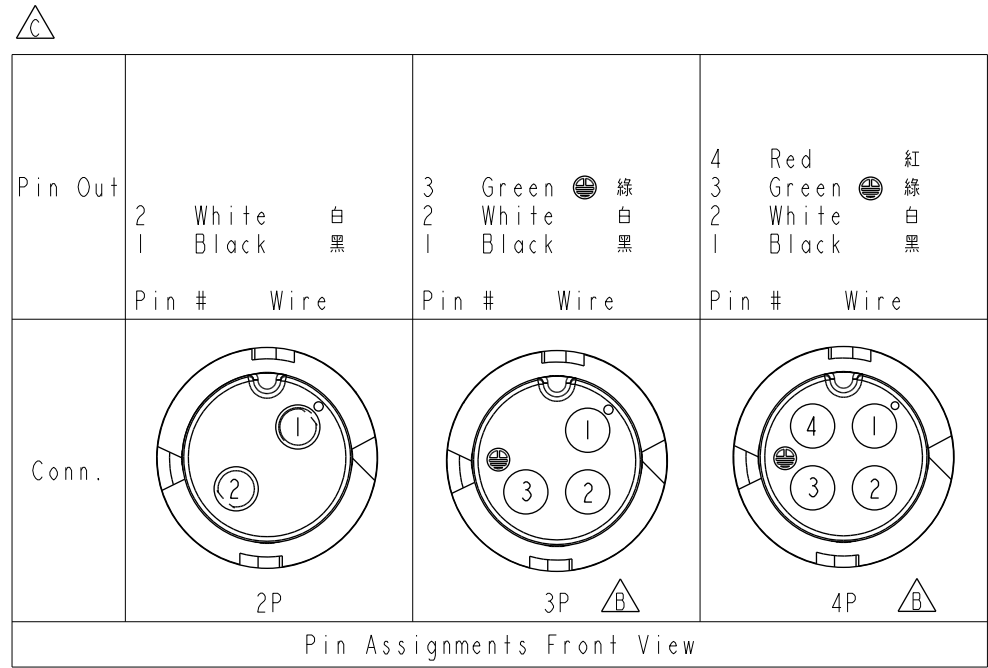
THIS DOCUMENT IS SUBJECT TO CHANGE WITHOUT NOTICE. IT IS CONFIDENTIAL AND A PROPERTY OF Amphenol LTW. DISCLOSURE TO THIRD PARTY HAS TO BE AUTHORIZED BY Amphenol LTW.

4P	PVC	9.3	16	BB-04AFFM-QL8EXX
3P		8.6		BB-03AFFM-QL8EXX
2P		8.2		BB-02AFFM-QL8EXX
Contacts	Cable Jacket	Cable OD	AWG	Item No.

△
BB-XXAFFM-QL8EXX

XX: No. Of Pin

XX : 01~99Meters
 01 : 01Meter
 02 : 02Meters
 ...
 99 : 99Meters



UNIT:mm  

TOLERANCE
±0.5 mm

TITLE
XLOK, B-10A, CABLE W/SR
F, F, MOLDING, PUSH LOCK △

SCALE	3:2	SIZE	A4	SHEET	2 OF 2
REV.	D	WC-REV.	A.2	QC: Inspection item	

Amphenol LTW

安費諾亮泰企業股份有限公司

ITEM NO	DWG NO	CUSTOMER	DRAWN BY	CHECKED BY	APPROVED BY	DATE
	BB-XXAFFM-QL8EXX △	ALTW	Tom Gu	Spring Liu	Kevin Hu	2016-07-19