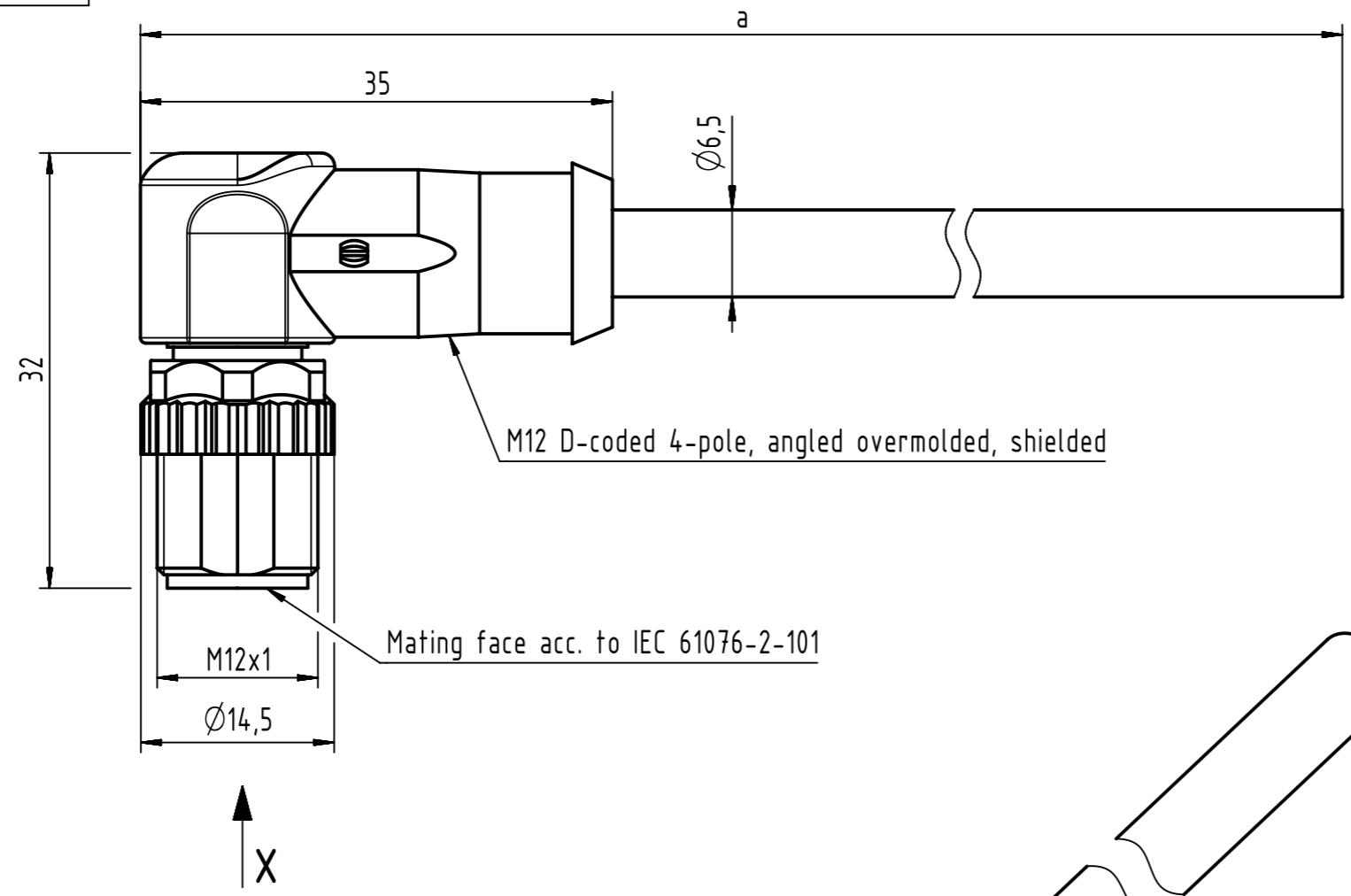


Connector Location A

Connector Location B



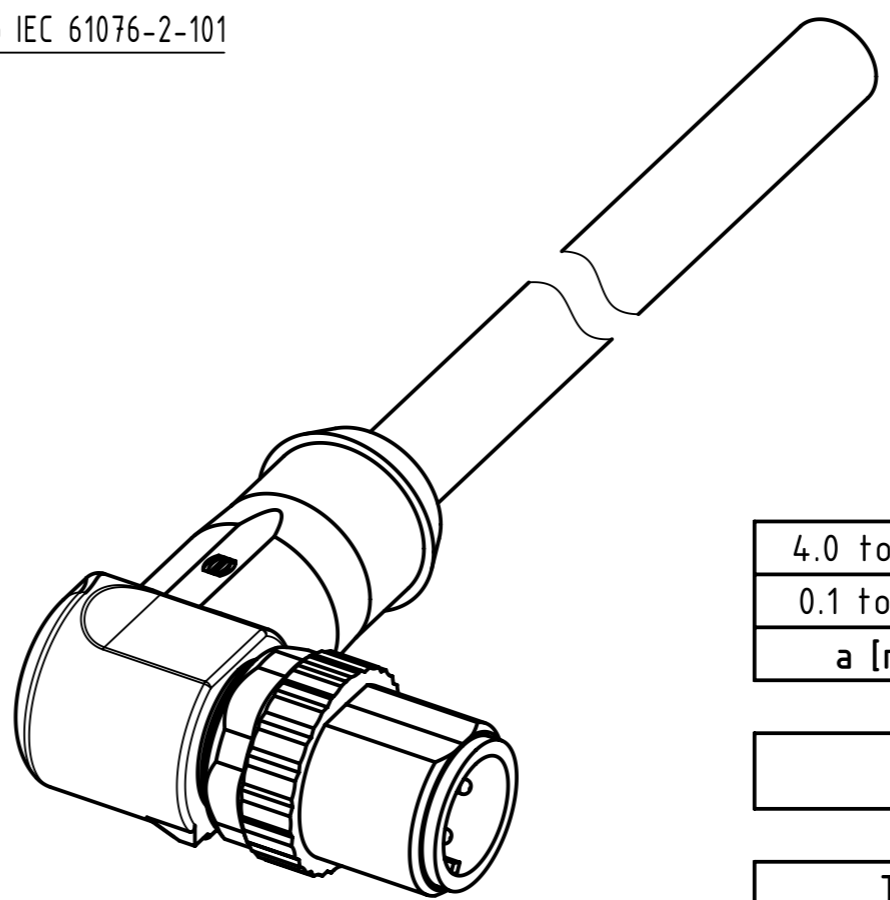
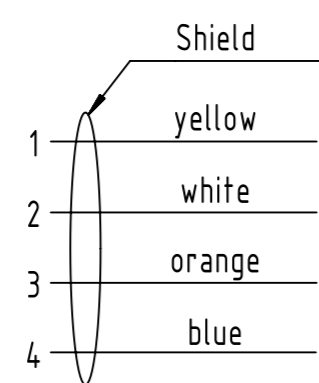
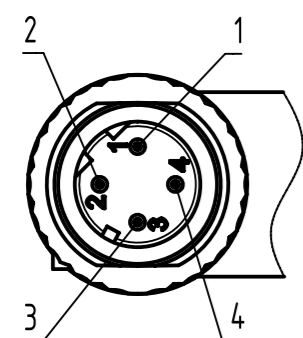
M12 D-coded 4-pole, angled overmolded, shielded

Mating face acc. to IEC 61076-2-101

X

X
male

Loading Plan



4.0 to 100	±1%
0.1 to 3.9	+0.04
a [m]	Tolerance

length in "1m" step	100	XXX=000
	99	XXX=990
	.	.
	12	XXX=120
	11	XXX=110
length in "0.1m" step	10	XXX=100
	9.9	XXX=099
	9.8	XXX=098
	.	.
	0.4	XXX=004
	0.3	XXX=003
	0.2	XXX=002
0.1	XXX=001	
Step	a [m]	XXX

Part no.	213494004XXXXXX
Type of cable	XX
PVC green, 4xAWG22/7	XX=05
PUR green, 4xAWG22/7	XX=77

- Protection level: IP65/67
- Temperature range: -30°C ... +70°C

All rights reserved Department HCS - RO		Created by STOCHECIC Stocheci Inspected by COSTEA Costea Standardisation MUNTEANV Muntean Date 2019-03-27 State Final Release		Tech. Character. Free size tol. According to production drawing	
HARTING Customised Solutions D-32339 Espelkamp		Title M12 Cable Assembly D-cod an/- m/- Type TB Number 213494004XXXXXX		Doc-Key / ECM-Nr. 100588495/UGD/000/F 500000149491 Rev. F Page 1/1	