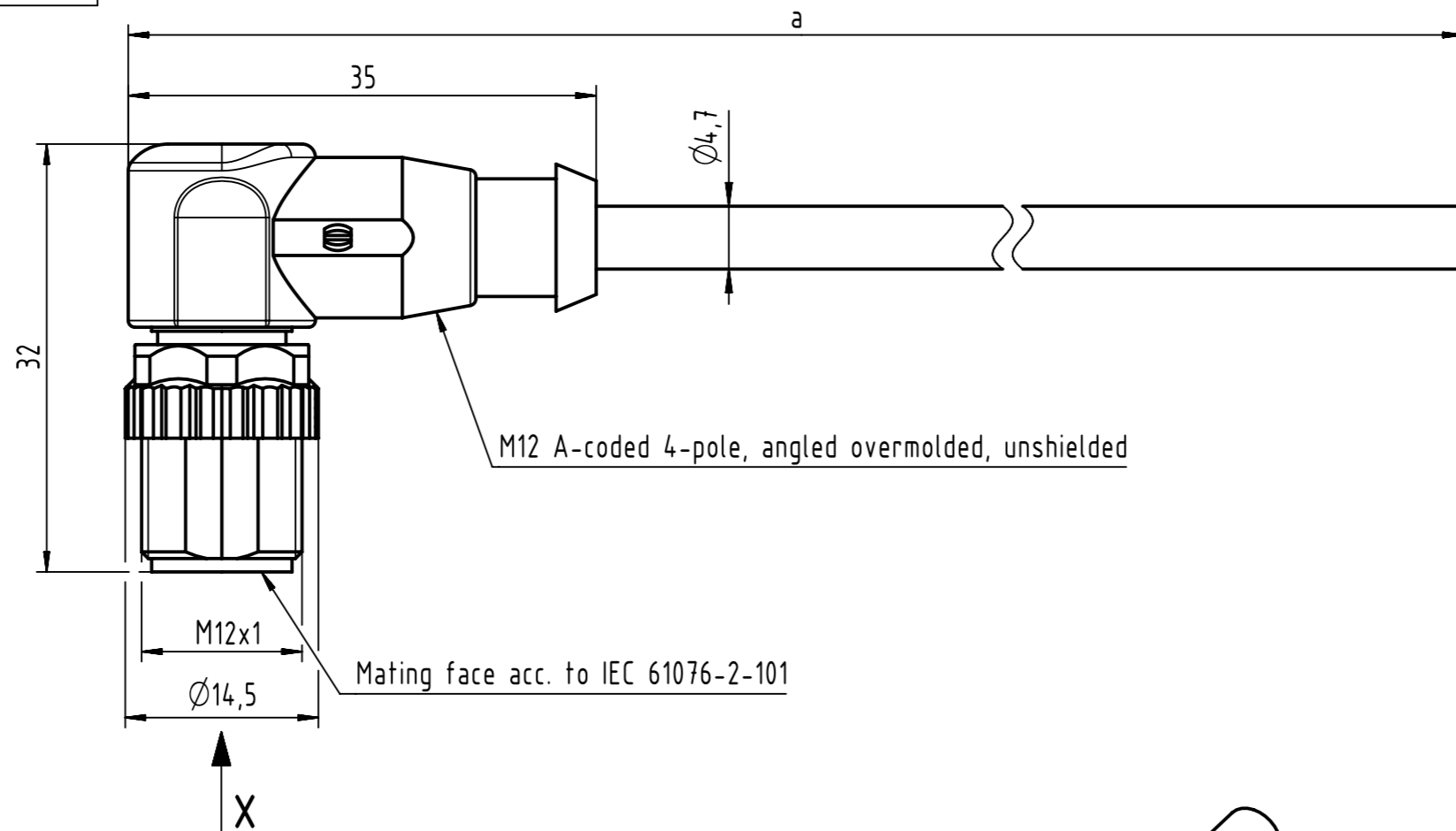
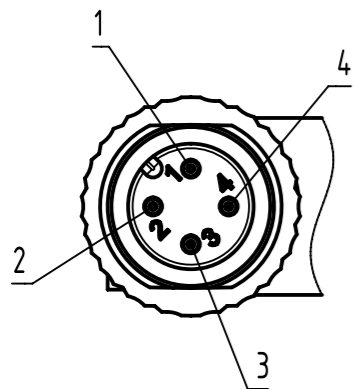


Connector Location A

Connector Location B

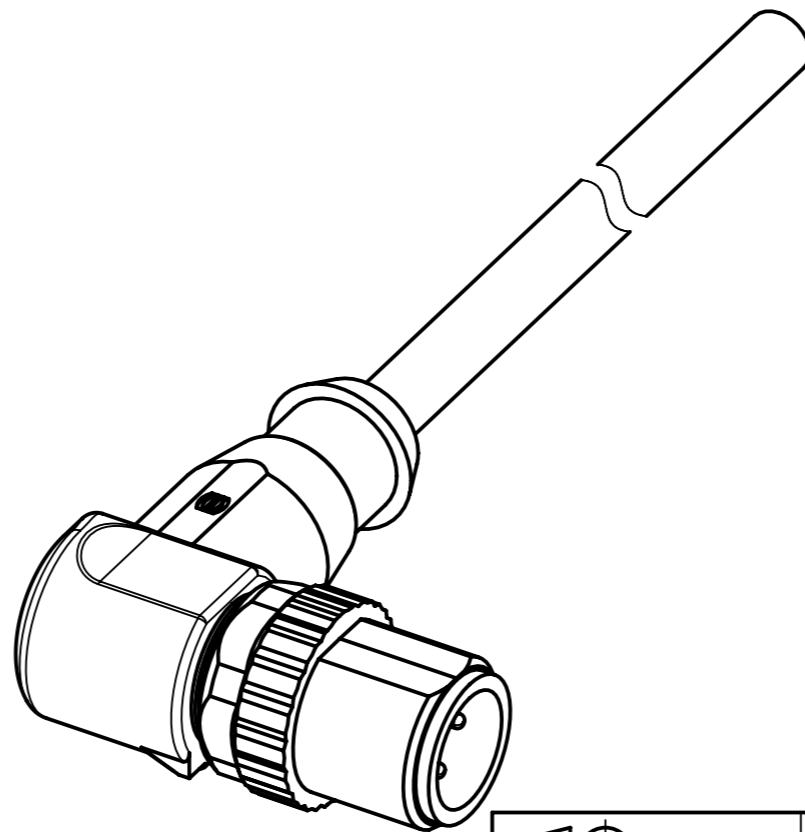


X
male



Loading Plan

- 1 brown
- 2 white
- 3 blue
- 4 black



- Protection level: IP67
- Temperature range: -25°C ... +80°C

length in "1m" step	40	YYY=400
	39	YYY=390
	12	YYY=120
	11	YYY=110
length in "0.1m" step	10	YYY=100
	9.9	YYY=099
	9.8	YYY=098
	0.4	YYY=004
	0.3	YYY=003
	0.2	YYY=002
	0.1	YYY=001
Step	a [m]	YYY

4.0 to 40	±1%
0.1 to 3.9	+0.04
a [m]	Tolerance

Part no.	213486004YYYYY
Type of cable	YY
PVC grey, 4x0.34mm ²	YY=84
PUR black, 4x0.34mm ²	YY=91

All Dimensions in mm		Tech. Character.		Free size tol.		According to production drawing	
All rights reserved		Created by 405181 Hadar	Inspected by COSTEA Costea	Standardisation 402676 Gross	Date 2021-08-09	State Final Release	
Department HCS - RO		Title M12 Cable Assembly A-cod an/- m/-				Doc-Key / ECM-Nr. 100626548/UGD/009/F 500000200745	
HARTING Customised Solutions D-32339 Espelkamp		Type TB	Number 213486004YYYYY			Rev. F	Page 1/1