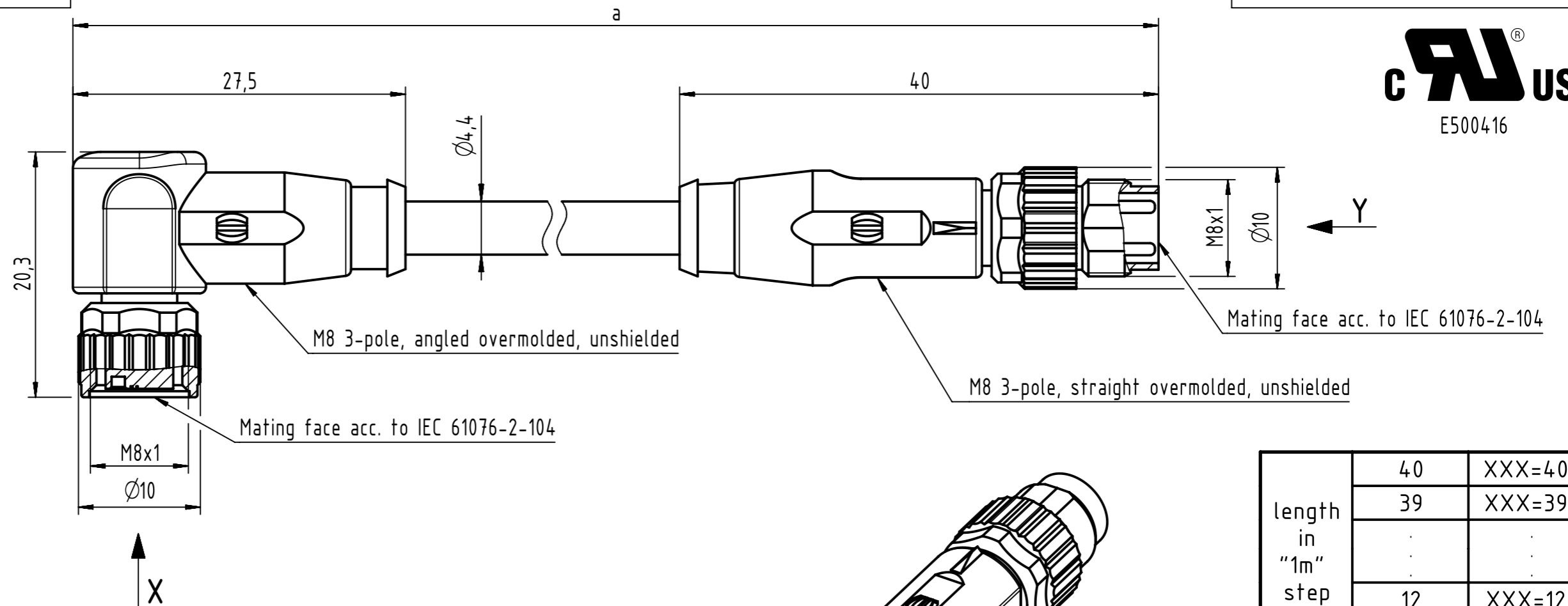


Connector Location A

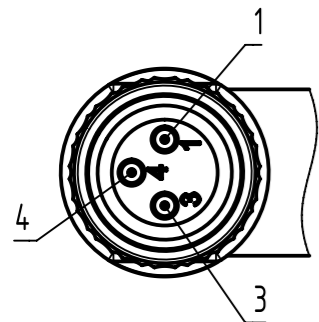
Connector Location B



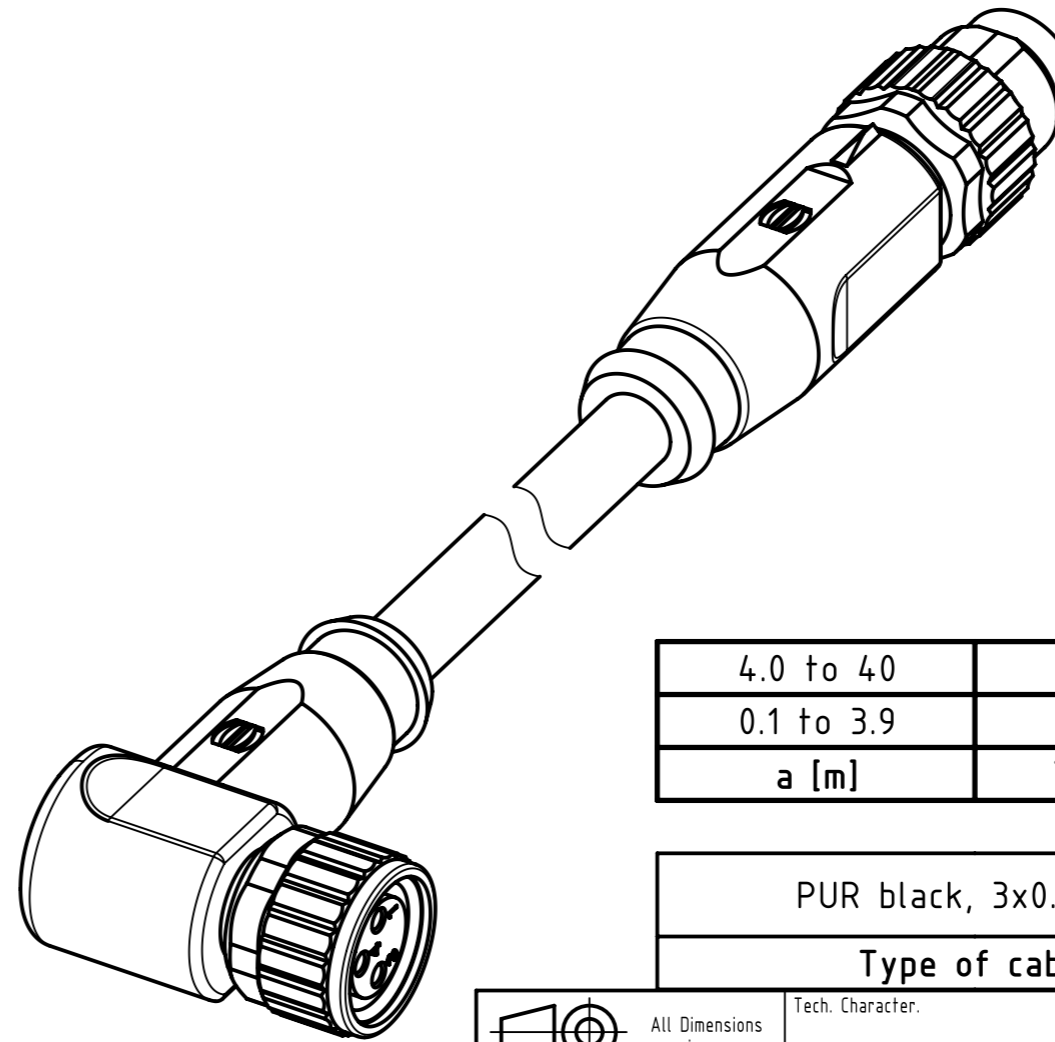
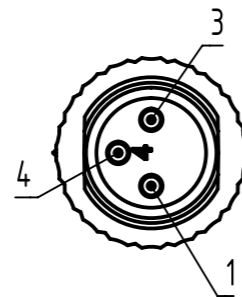
X female

Y male

Loading-Plan:



- 1 — brown — 1
- 3 — blue — 3
- 4 — black — 4



length in "1m" step	40	XXX=400
	39	XXX=390
	.	.
	12	XXX=120
	11	XXX=110
length in "0.1m" step	10	XXX=100
	9.9	XXX=099
	9.8	XXX=098
	.	.
	0.4	XXX=004
	0.3	XXX=003
	0.2	XXX=002
0.1	XXX=001	
Step	a [m]	XXX

4.0 to 40	±1%
0.1 to 3.9	+0.04
a [m]	Tolerance

PUR black, 3x0.25mm ²	21348083388XXX
Type of cable	Part no.

- Protection level: IP65/67
 - Temperature range: -25°C ... +80°C

All Dimensions in mm		Tech. Character.		Free size tol.		According to production drawing	
All rights reserved Department HCS - RO HARTING Customised Solutions D-32339 Espelkamp	Created by COSTEA Costea	Inspected by MUNTEANV Muntean	Standardisation MUNTEANV Muntean	Date 2018-12-18	State Final Release		Doc-Key / ECM-Nr. 100809594/UGD/009/A 500000145065 Rev. A Page 1/1
	Title M8 Cable Assembly 3-poles an/st f/m			Type TB	Number 21348083388XXX		