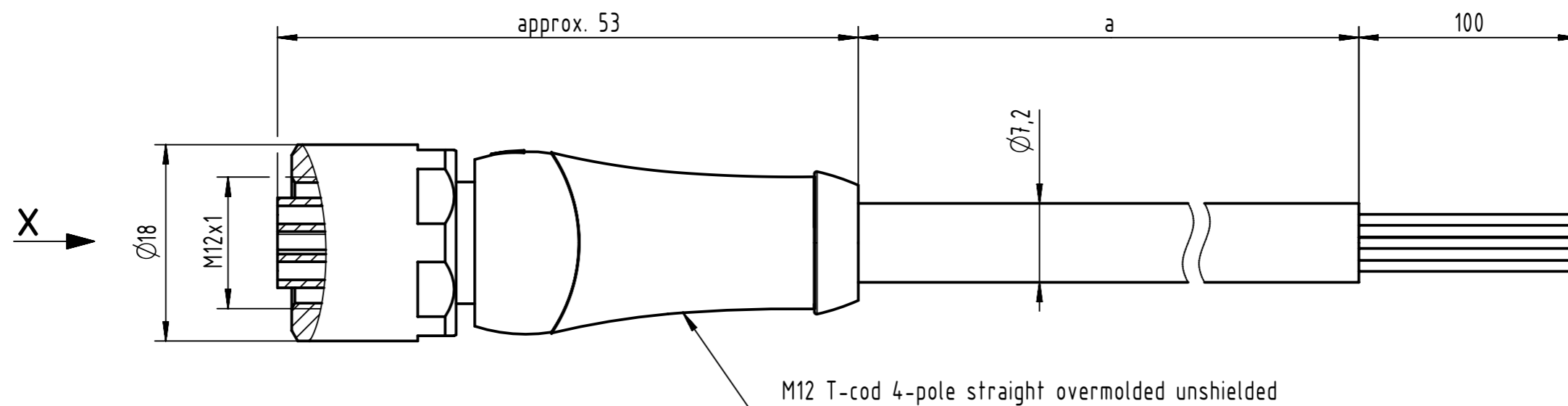
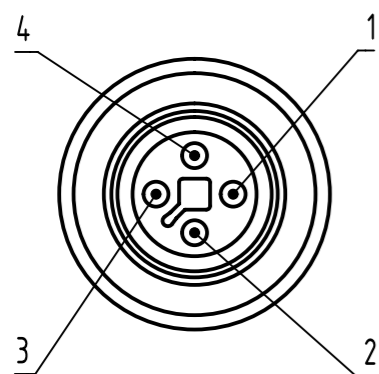


Connector Location A

Connector Location B



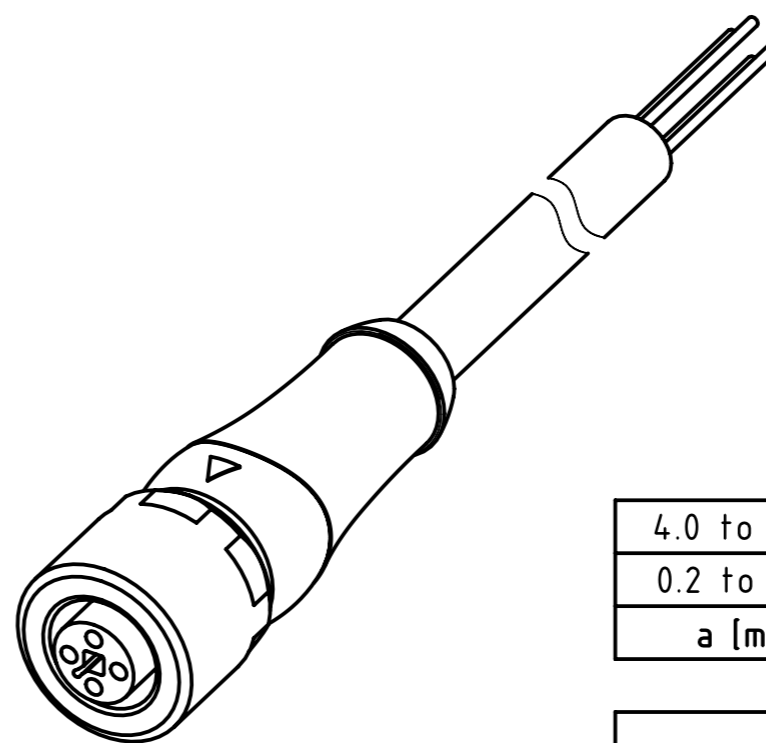
X female



Loading Plan

- 1 brown
- 2 white
- 3 blue
- 4 black

- Protection level: IP65/67
 - Temperature range: -25°C ... +80°C



4.0 to 100	±1%
0.2 to 3.9	+0.04
a [m]	Tolerance

length in "1m" step	100	XXX=000
	99	XXX=990
	.	.
	12	XXX=120
	11	XXX=110
length in "0.1m" step	10	XXX=100
	9.9	XXX=099
	9.8	XXX=098
	.	.
	0.5	XXX=005
	0.4	XXX=004
	0.3	XXX=003
0.2	XXX=002	
Step	a [m]	XXX

PUR black 4x1.5mm ²	21343700446XXX
Type of cable	Part no.

All rights reserved Department HCS - RO HARTING Customised Solutions D-32339 Espelkamp	All Dimensions in mm Tech. Character. Free size tol. According to production drawing	Created by 407576 Stoica	Inspected by 402676 Gross	Standardisation MUNTEANV Muntean	Date 2023-05-11	State Final Release	Doc-Key / ECM-Nr. 100958256/UGD/001/B 50000242900
	Title M12 T-cod 4-pol st/- f/- PUR	Type TB	Number 21343700446XXX	Rev. B	Page 1/1		