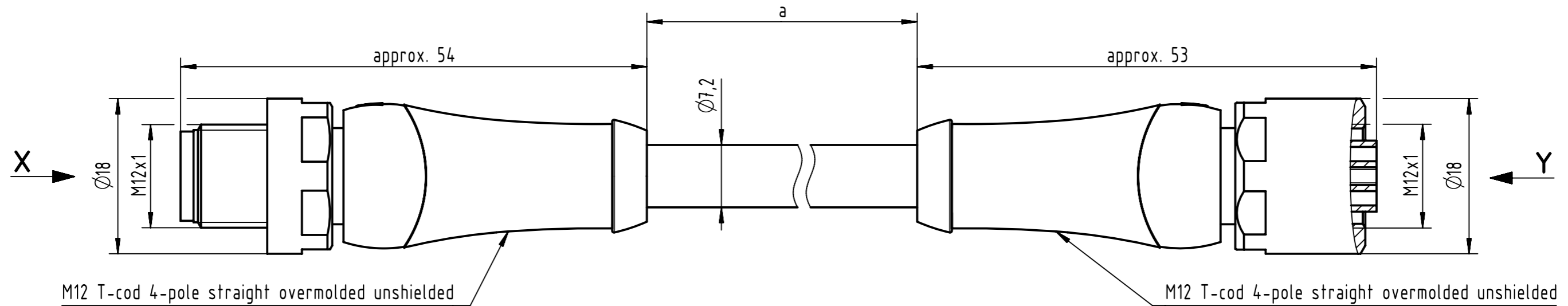


Connector Location A

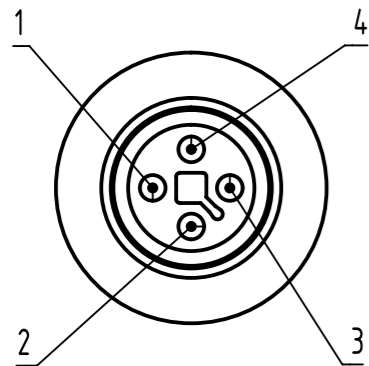
Connector Location B



M12 T-cod 4-pole straight overmolded unshielded

M12 T-cod 4-pole straight overmolded unshielded

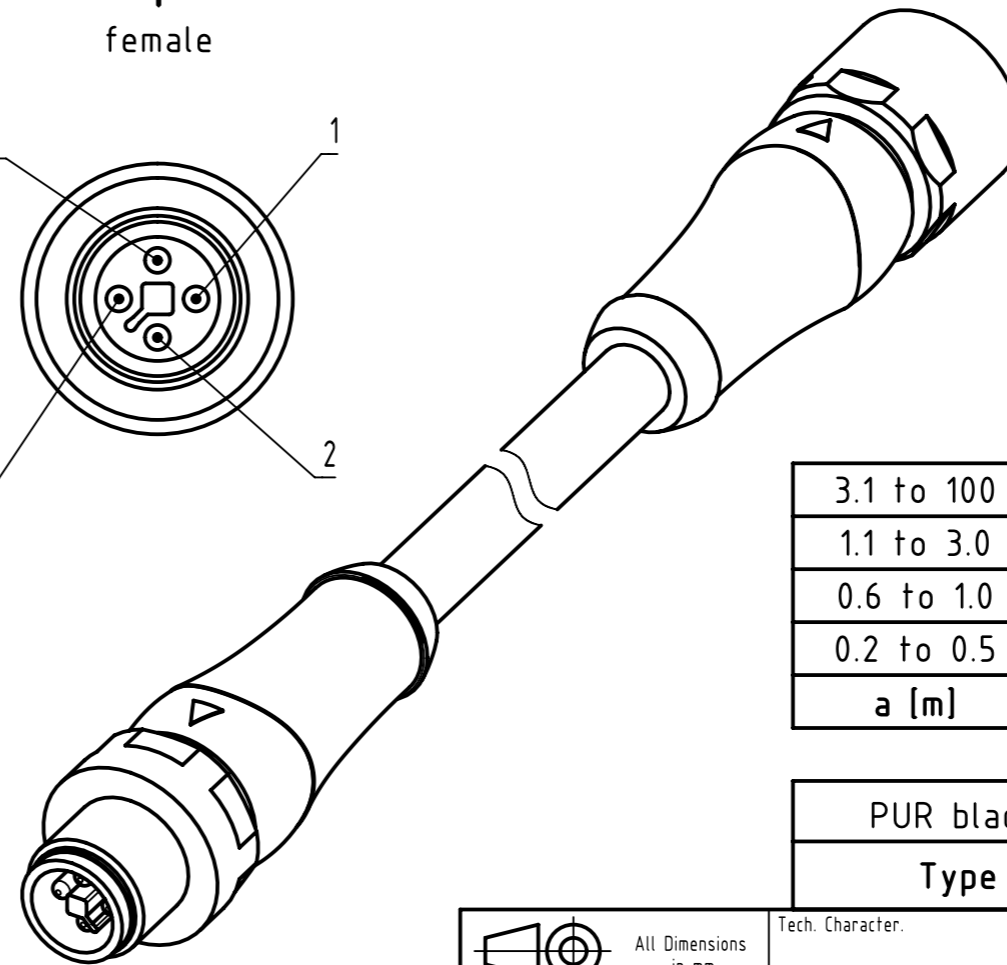
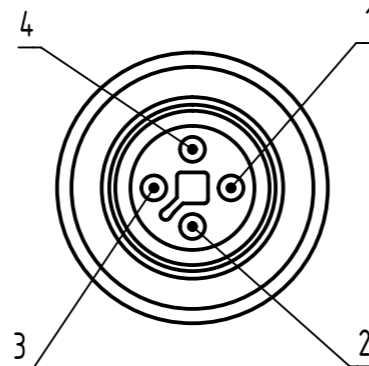
X
male



Loading Plan

- 1 — brown — 1
- 2 — white — 2
- 3 — blue — 3
- 4 — black — 4

Y
female



- Protection level: IP65/67
- Temperature range: -25°C ... +80°C

length in "1m" step	100	XXX=000
	99	XXX=990
	.	.
	.	.
length in "0.1m" step	12	XXX=120
	11	XXX=110
	10	XXX=100
	9.9	XXX=099
	9.8	XXX=098
.	.	.
.	.	.
Step	a [m]	XXX

3.1 to 100	±1.5%
1.1 to 3.0	+0.1
0.6 to 1.0	+0.05
0.2 to 0.5	+0.03
a [m]	Tolerance

PUR black 4x1.5mm ²	21343637446XXX
Type of cable	Part no.

	All rights reserved	Created by 407576 Stoica	Inspected by COSTEA Costea	Standardisation BANCIUD Banciu	Date 2023-11-08	State Final Release	
	Department HCS - RO	Title M12 T-cod 4-pol st/st m/f PUR				Doc-Key / ECM-Nr. 100956196/UGD/001/B 500000256967	
HARTING Customised Solutions D-32339 Espelkamp		Type TB	Number 21343637446XXX			Rev. B	Page 1/1