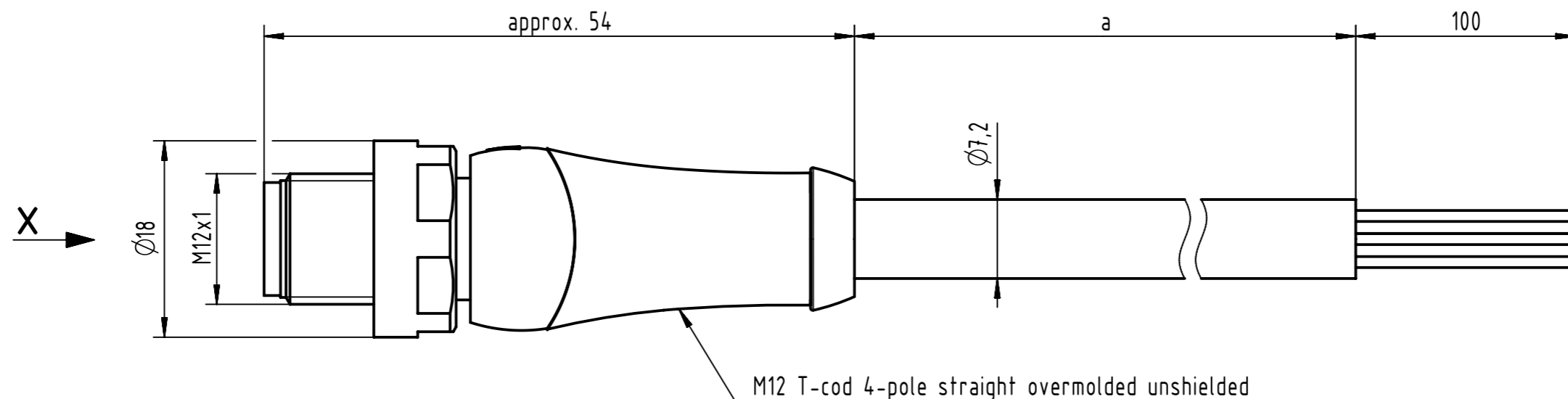


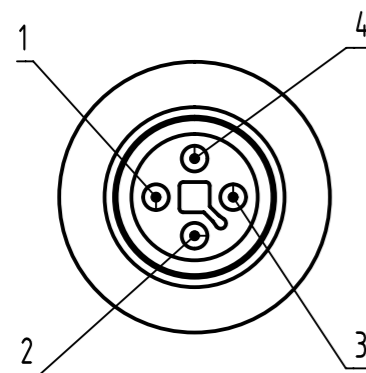
Connector Location A

Connector Location B



M12 T-cod 4-pole straight overmolded unshielded

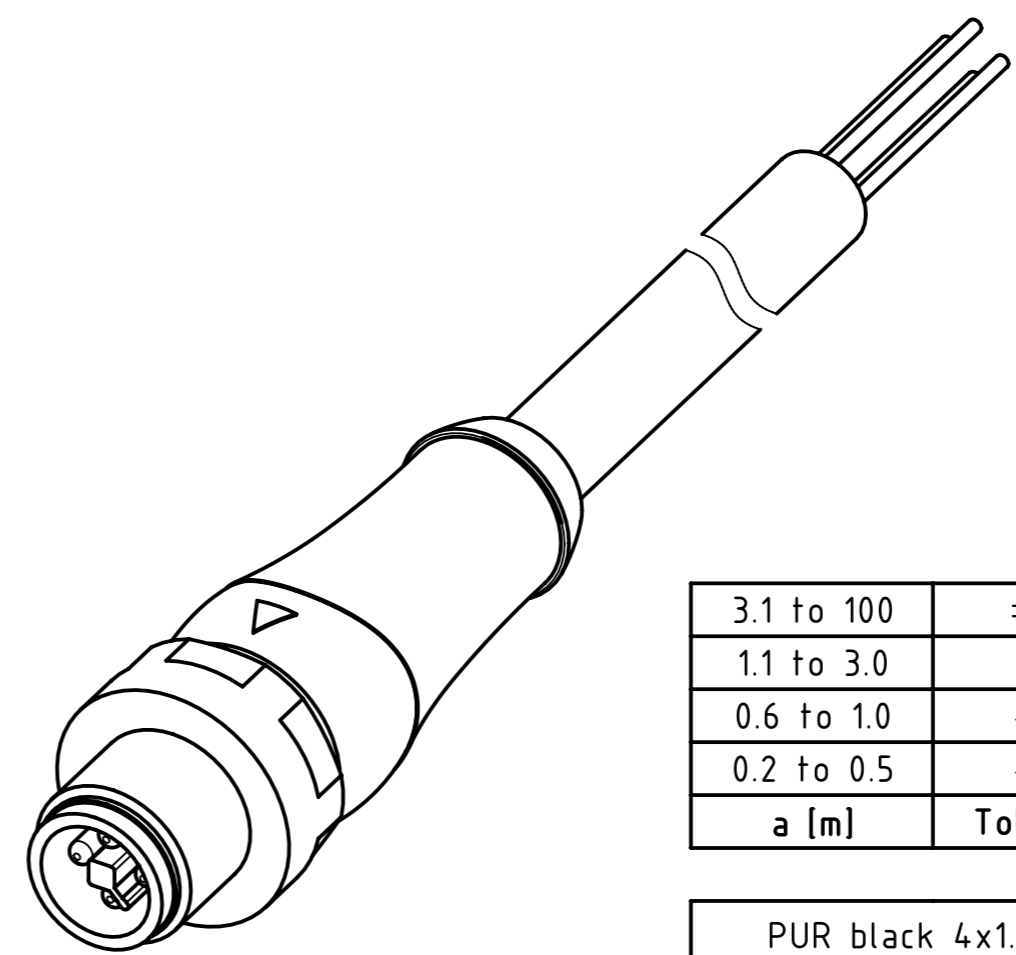
X  
male



Loading Plan

- 1 brown
- 2 white
- 3 blue
- 4 black

- Protection level: IP65/67  
- Temperature range: -25°C ... +80°C



3.1 to 100	±1.5%
1.1 to 3.0	+0.1
0.6 to 1.0	+0.05
0.2 to 0.5	+0.03
<b>a [m]</b>	<b>Tolerance</b>

length in "1m" step	100	XXX=000
	99	XXX=990
	.	.
	12	XXX=120
	11	XXX=110
length in "0.1m" step	10	XXX=100
	9.9	XXX=099
	9.8	XXX=098
	.	.
	0.5	XXX=005
	0.4	XXX=004
	0.3	XXX=003
	0.2	XXX=002
<b>Step</b>	<b>a [m]</b>	<b>XXX</b>

PUR black 4x1.5mm <sup>2</sup>	21343600446XXX
<b>Type of cable</b>	<b>Part no.</b>

	All rights reserved		Created by 407576 Stoica		Inspected by COSTEA Costea		Standardisation BANCIUD Banciu		Date 2023-11-08		State Final Release	
	Department HCS - RO		Title M12 T-cod 4-pol st/- m/- PUR		Doc-Key / ECM-Nr. 100958254/UGD/001/C 500000256967		Type TB		Number 21343600446XXX		Rev. C Page 1/1	
HARTING Customised Solutions			D-32339 Espelkamp									