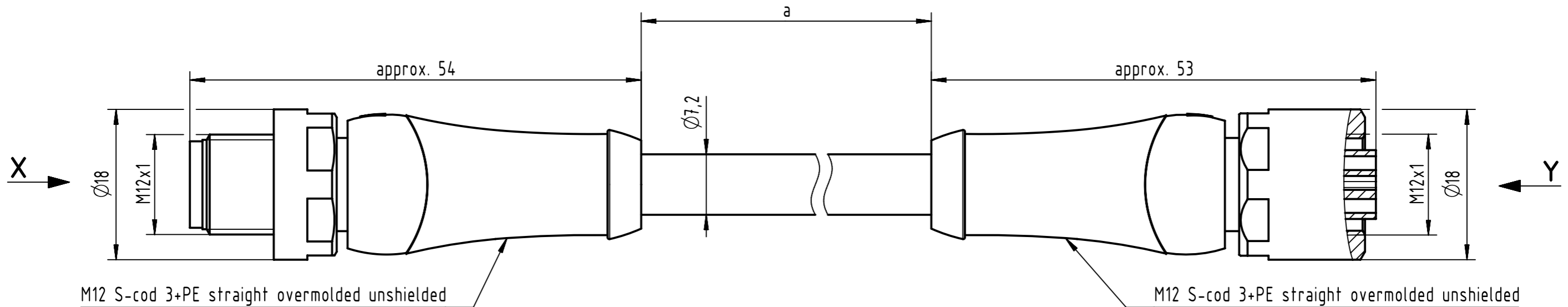


Connector Location A

Connector Location B

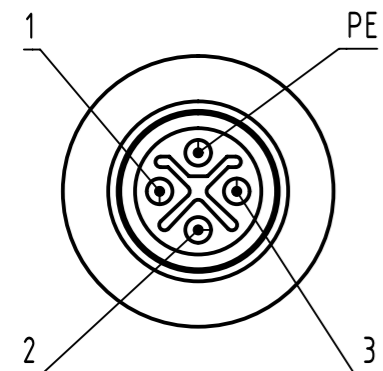


M12 S-cod 3+PE straight overmolded unshielded

M12 S-cod 3+PE straight overmolded unshielded

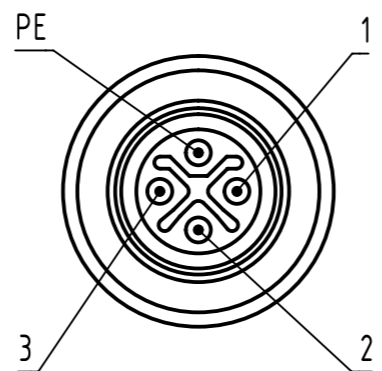
X
male

Y
female

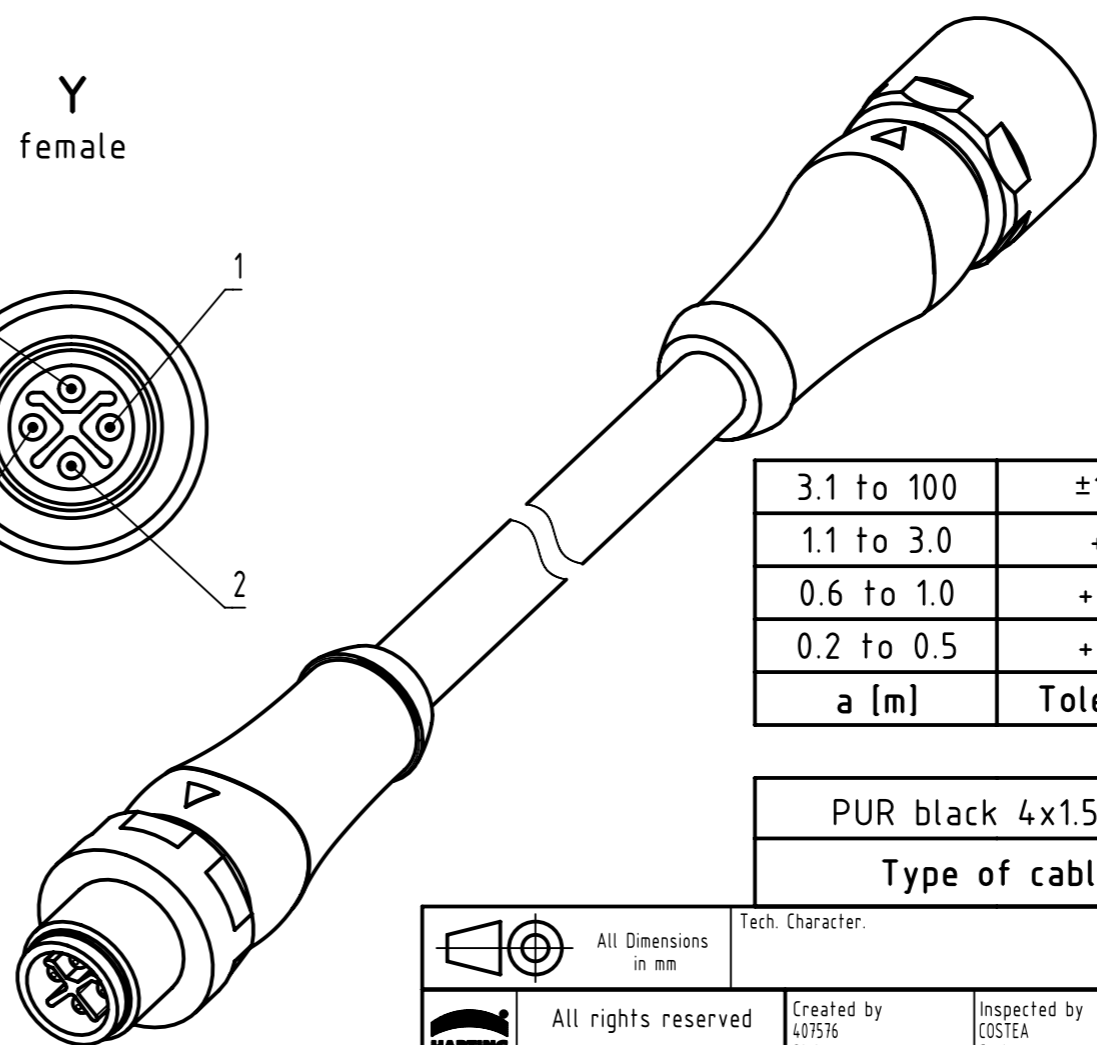


Loading Plan

1	brown	1
2	white	2
3	blue	3
PE	green/yellow	PE



- Protection level: IP65/67
- Temperature range: -25°C ... +80°C



3.1 to 100	±1.5%
1.1 to 3.0	+0.1
0.6 to 1.0	+0.05
0.2 to 0.5	+0.03
a [m]	Tolerance

length in "1m" step	100	XXX=000
	99	XXX=990
	.	.
	12	XXX=120
	11	XXX=110
length in "0.1m" step	10	XXX=100
	9.9	XXX=099
	9.8	XXX=098
	.	.
	0.5	XXX=005
	0.4	XXX=004
	0.3	XXX=003
	0.2	XXX=002
Step	a [m]	XXX

PUR black 4x1.5mm ²	21343435445XXX
Type of cable	Part no.

All Dimensions in mm		Tech. Character.		Free size tol.		According to production drawing	
All rights reserved		Created by 407576 Stoica	Inspected by COSTEA Costea	Standardisation BANCIUD Banciu	Date 2023-11-08	State Final Release	
Department HCS - RO		Title M12 S-cod 3+PE st/st m/f PUR				Doc-Key / ECM-Nr. 100956161/UGD/001/B 500000256959	
HARTING Customised Solutions D-32339 Espelkamp		Type TB	Number 21343435445XXX			Rev. B	Page 1/1