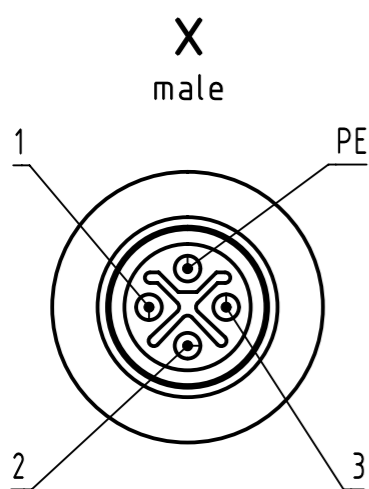
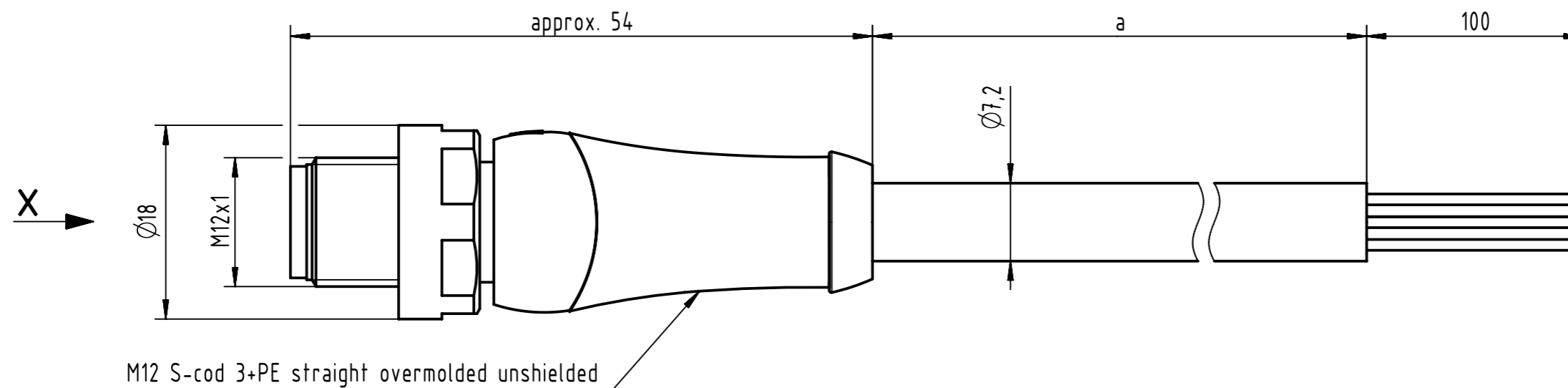


Connector Location A

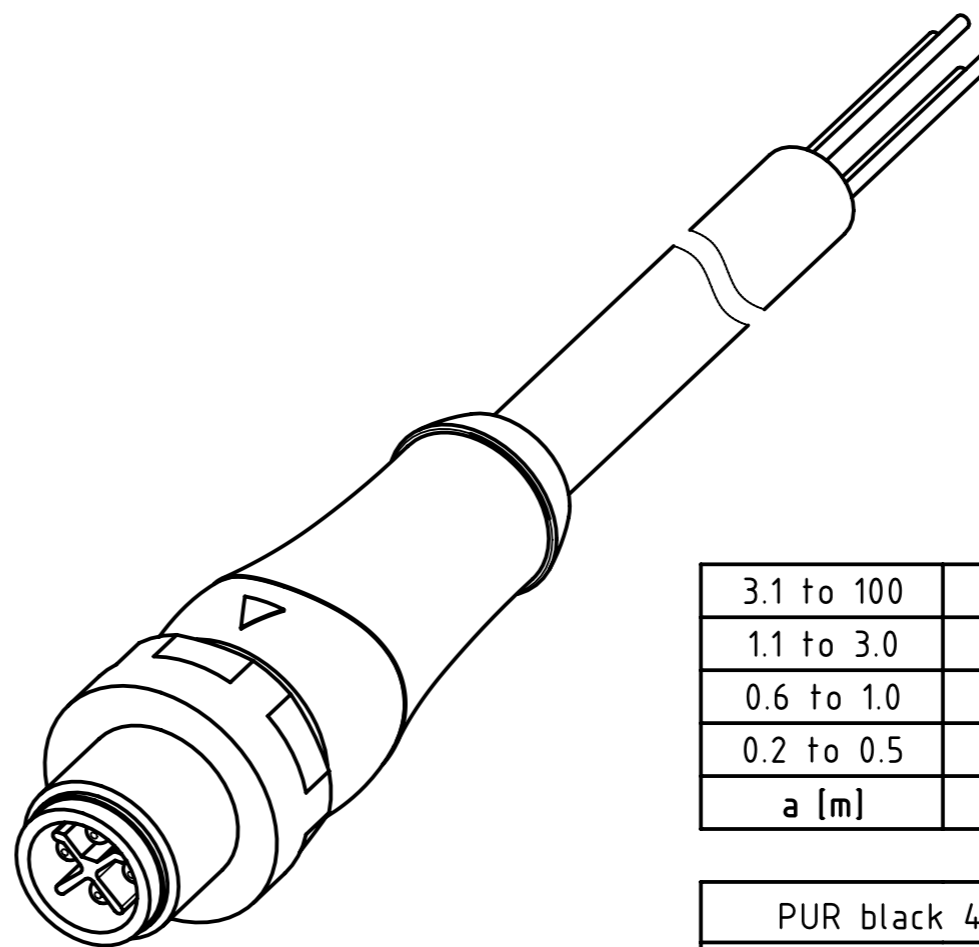
Connector Location B



Loading Plan

- 1 brown
- 2 white
- 3 blue
- PE green/yellow

- Protection level: IP65/67  
 - Temperature range: -25°C ... +80°C



3.1 to 100	±1.5%
1.1 to 3.0	+0.1
0.6 to 1.0	+0.05
0.2 to 0.5	+0.03
<b>a [m]</b>	<b>Tolerance</b>

length in "1m" step	100	XXX=000
	99	XXX=990
	.	.
	12	XXX=120
	11	XXX=110
length in "0.1m" step	10	XXX=100
	9.9	XXX=099
	9.8	XXX=098
	.	.
	0.5	XXX=005
	0.4	XXX=004
	0.3	XXX=003
	0.2	XXX=002
<b>Step</b>	<b>a [m]</b>	<b>XXX</b>

PUR black 4x1.5mm <sup>2</sup>	21343400445XXX
<b>Type of cable</b>	<b>Part no.</b>

All rights reserved Department HCS - RO HARTING Customised Solutions D-32339 Espelkamp	All Dimensions in mm Tech. Character. Free size tol. According to production drawing	Created by 407576 Stoica	Inspected by COSTEA Costea	Standardisation BANCIUD Banciu	Date 2023-11-08	State Final Release	Doc-Key / ECM-Nr. 100958250/UGD/001/C 500000256959
	Title M12 S-cod 3+PE st/- m/- PUR	Type TB	Number 21343400445XXX	Rev. C	Page 1/1		