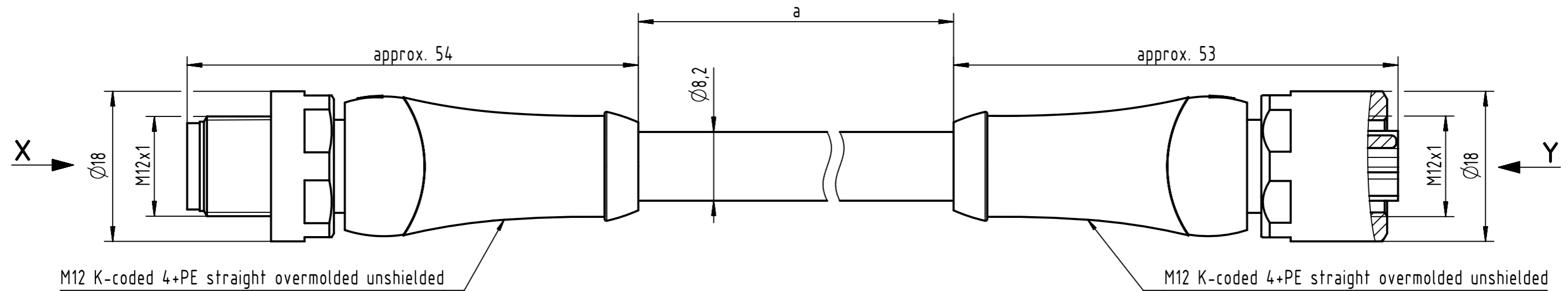


Connector Location A

Connector Location B

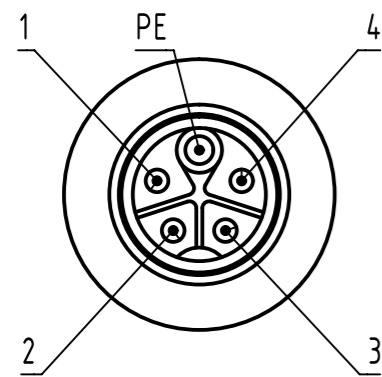


M12 K-coded 4+PE straight overmolded unshielded

M12 K-coded 4+PE straight overmolded unshielded

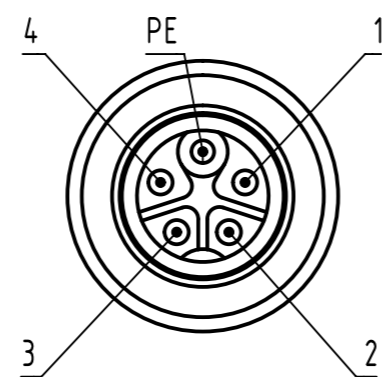
X
male

Y
female

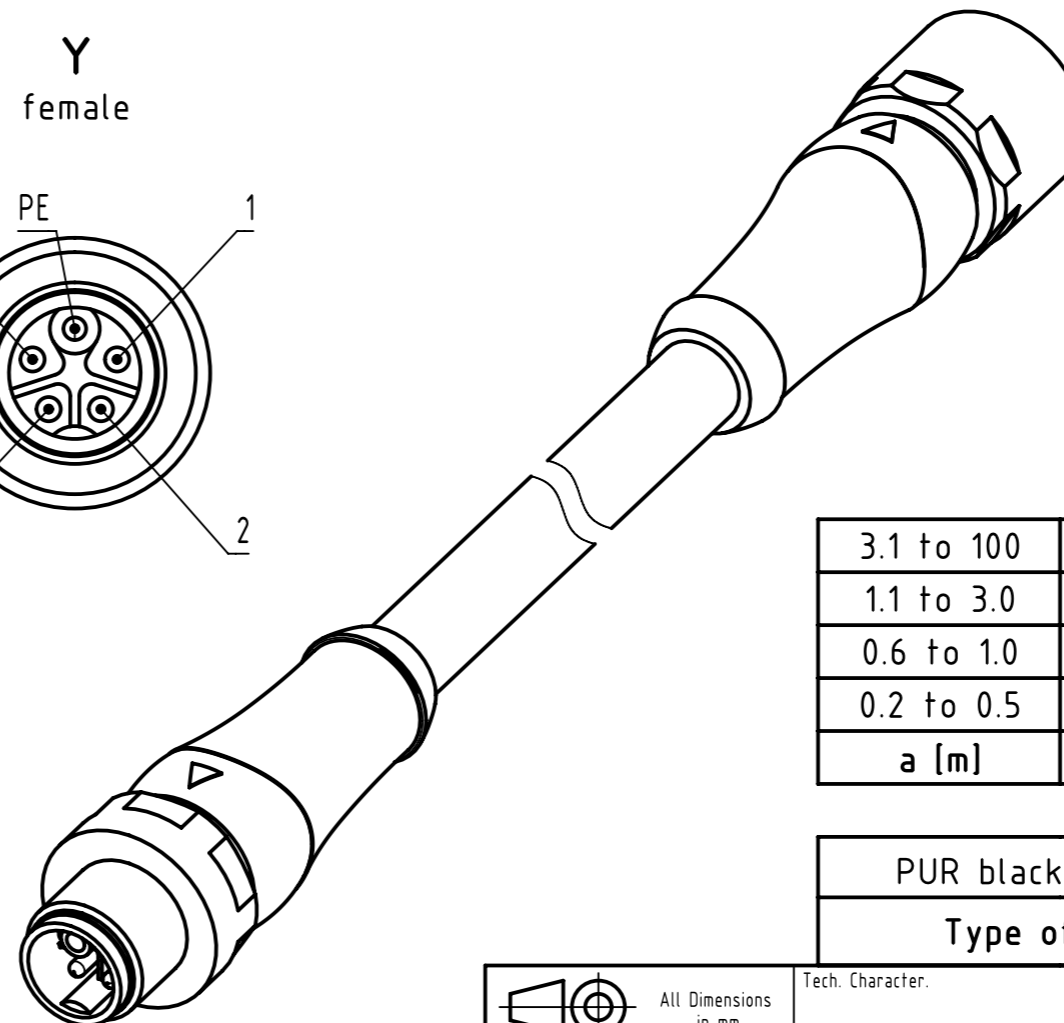


Loading Plan

1	brown	1
2	white	2
3	blue	3
4	black	4
PE	green/yellow	PE



- Protection level: IP65/67
- Temperature range: -25°C ... +80°C



length in "1m" step	100	XXX=000
	99	XXX=990
	.	.
	12	XXX=120
	11	XXX=110
length in "0.1m" step	10	XXX=100
	9.9	XXX=099
	9.8	XXX=098
	.	.
	0.5	XXX=005
	0.4	XXX=004
	0.3	XXX=003
	0.2	XXX=002
Step	a [m]	XXX

3.1 to 100	±1.5%
1.1 to 3.0	+0.1
0.6 to 1.0	+0.05
0.2 to 0.5	+0.03
a [m]	Tolerance

PUR black 5x1.5mm ²	21343233544XXX
Type of cable	Part no.

	All rights reserved	Created by 407576 Stoica	Inspected by COSTEA Costea	Standardisation BANCIUD Banciu	Date 2023-11-08	State Final Release
	Department HCS - RO	Title M12 K-cod 4+PE st/st m/f PUR		Doc-Key / ECM-Nr. 100955651/UGD/001/B 500000256959		
HARTING Customised Solutions D-32339 Espelkamp		Type TB	Number 21343233544XXX		Rev. B	Page 1/1