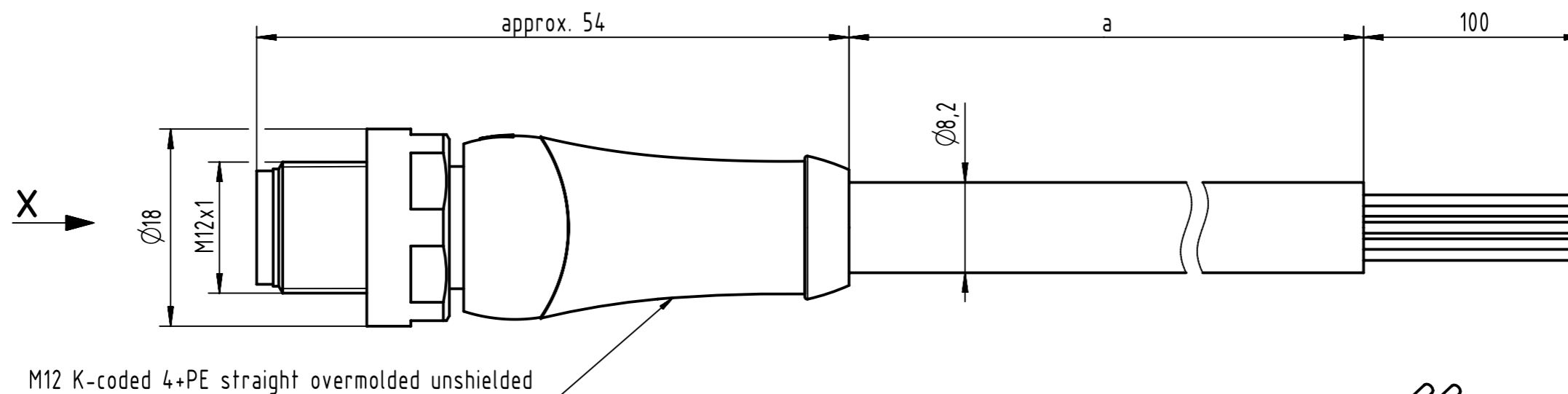


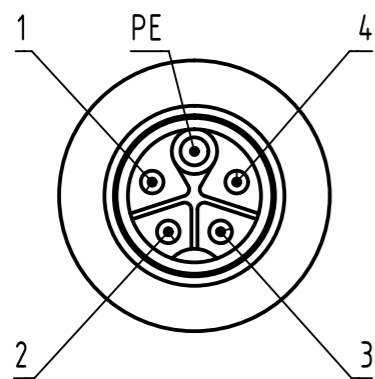
Connector Location A

Connector Location B



M12 K-coded 4+PE straight overmolded unshielded

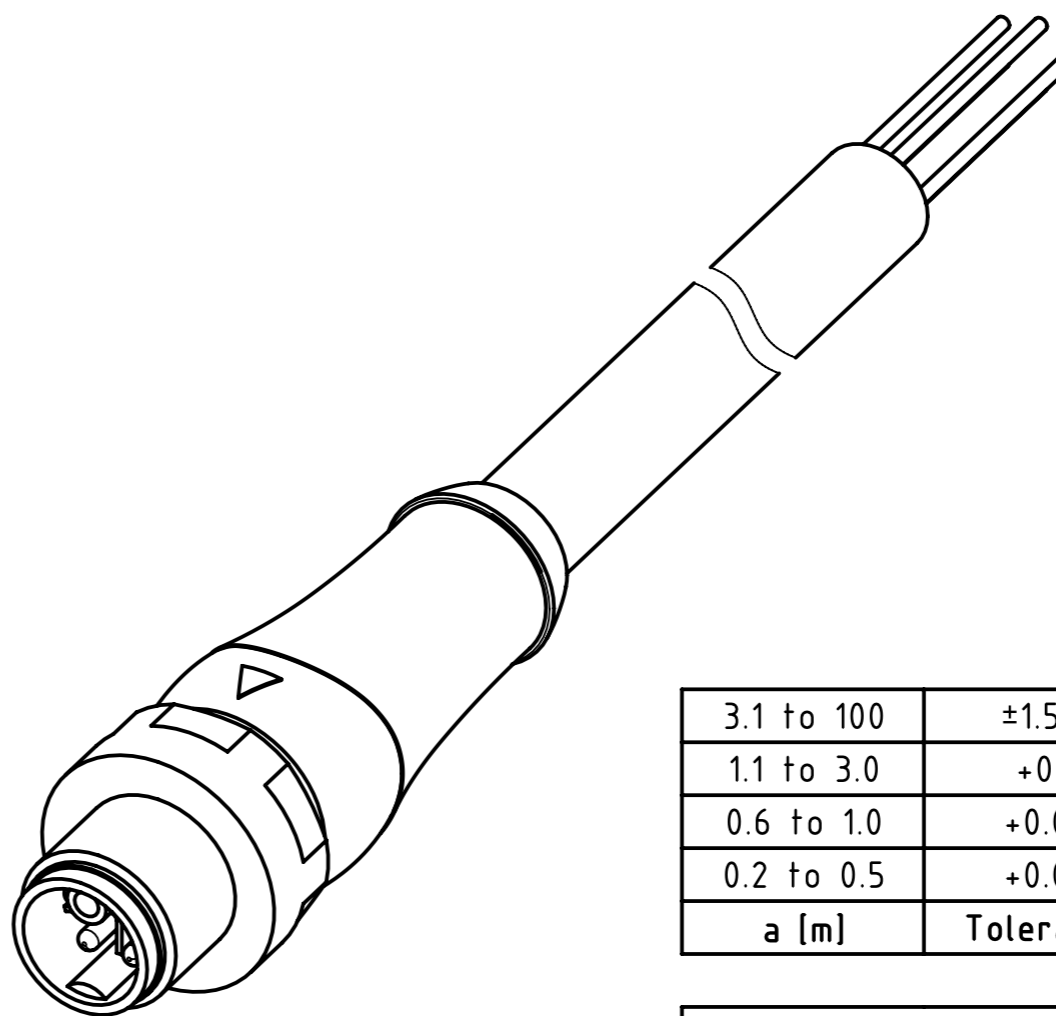
X
male



Loading Plan

1	brown
2	white
3	blue
4	black
PE	green/yellow

- Protection level: IP65/67
- Temperature range: -25°C ... +80°C



3.1 to 100	±1.5%
1.1 to 3.0	+0.1
0.6 to 1.0	+0.05
0.2 to 0.5	+0.03
a [m]	Tolerance

length in "1m" step	100	XXX=000
	99	XXX=990
	.	.
	12	XXX=120
	11	XXX=110
length in "0.1m" step	10	XXX=100
	9.9	XXX=099
	9.8	XXX=098
	.	.
	0.5	XXX=005
	0.4	XXX=004
	0.3	XXX=003
	0.2	XXX=002
Step	a [m]	XXX

PUR black 5x1.5mm ²	21343200544XXX
Type of cable	Part no.

	All rights reserved		Tech. Character.		Free size tol.		According to production drawing		
	Department HCS - RO		Created by 407576 Stoica	Inspected by COSTEA Costea	Standardisation BANCIUD Banciu	Date 2023-11-08	State Final Release		
HARTING Customised Solutions D-32339 Espelkamp		Title M12 K-cod 4+PE st/- m/- PUR				Doc-Key / ECM-Nr. 100955694/UGD/001/C 500000256959		Rev. C	Page 1/1
		Type TB	Number 21343200544XXX						