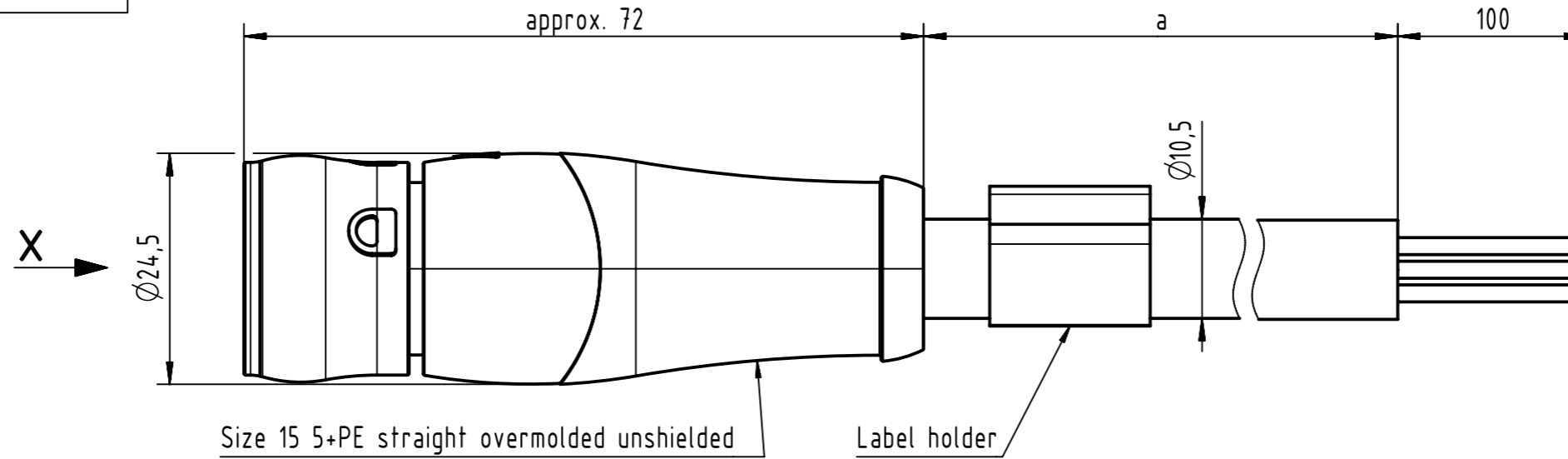
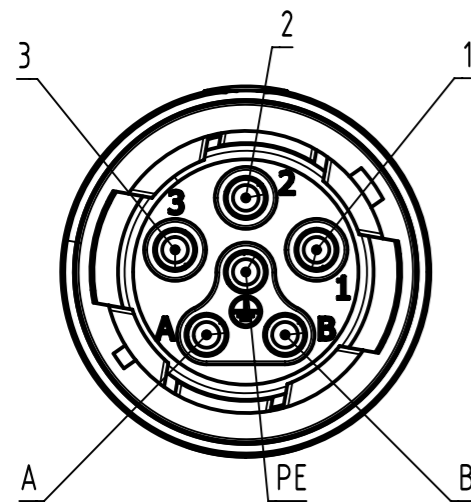


Connector Location A

Connector Location B



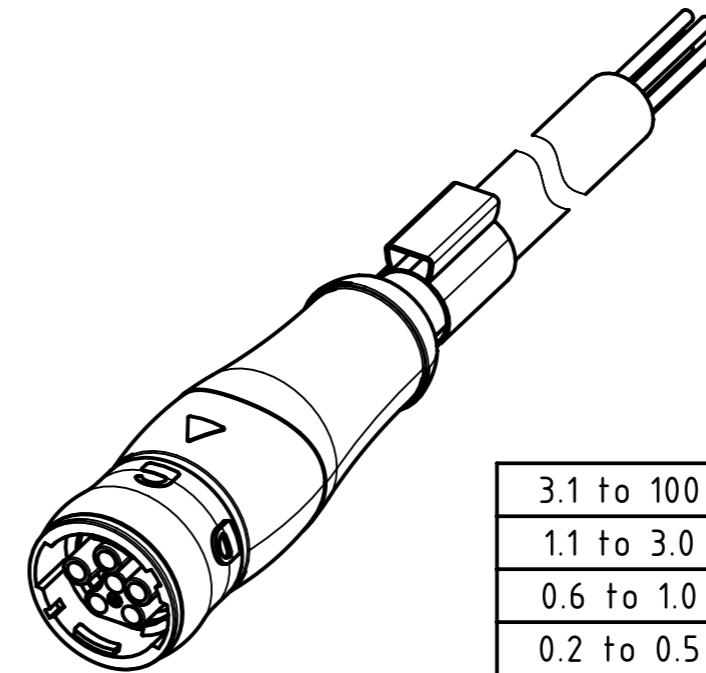
X female



Loading Plan

- 1 black (1)
- 2 black (2)
- 3 black (3)
- PE green/yellow
- A black (4)
- B black (5)

- Protection level: IP65/67
 - Temperature range: -25°C ... +80°C



3.1 to 100	±1.5%
1.1 to 3.0	+0.1
0.6 to 1.0	+0.05
0.2 to 0.5	+0.03
a [m]	Tolerance

length in "1m" step	100	XXX=000
	99	XXX=990
	.	.
	12	XXX=120
	11	XXX=110
length in "0.1m" step	10	XXX=100
	9.9	XXX=099
	9.8	XXX=098
	.	.
	0.5	XXX=005
	0.4	XXX=004
	0.3	XXX=003
	0.2	XXX=002
Step	a [m]	XXX

PUR black 6x2,5mm ²	21342900642XXX
Type of cable	Part no.

All rights reserved Department HCS - RO HARTING Customised Solutions D-32339 Espelkamp	All Dimensions in mm Tech. Character. Free size tol. According to production drawing	Created by 407576 Stoica	Inspected by COSTEA Costea	Standardisation BANCIUD Banciu	Date 2023-11-08	State Final Release	Doc-Key / ECM-Nr. 100955308/UGD/001/C 500000256967
	Title Size 15 6-pol st/- f/- PUR 2.5mm ²	Type TB	Number 21342900642XXX	Rev. C	Page 1/1		