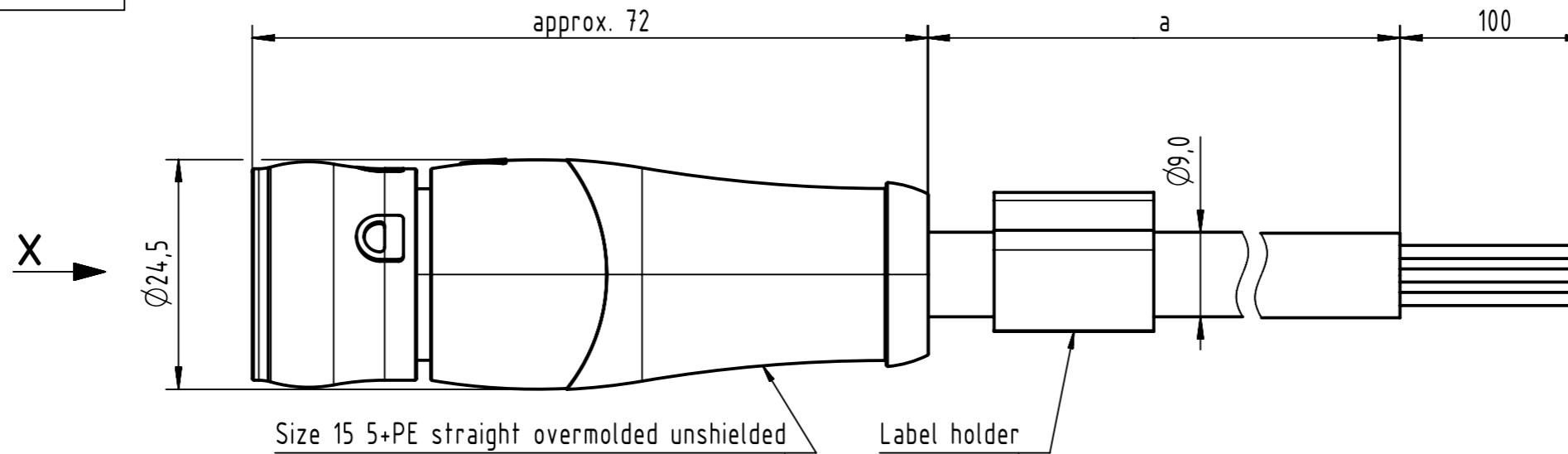
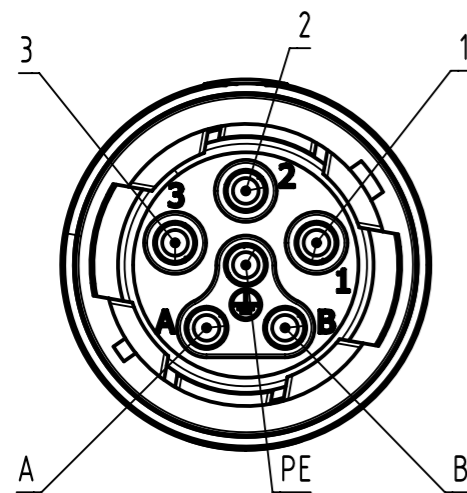


Connector Location A

Connector Location B

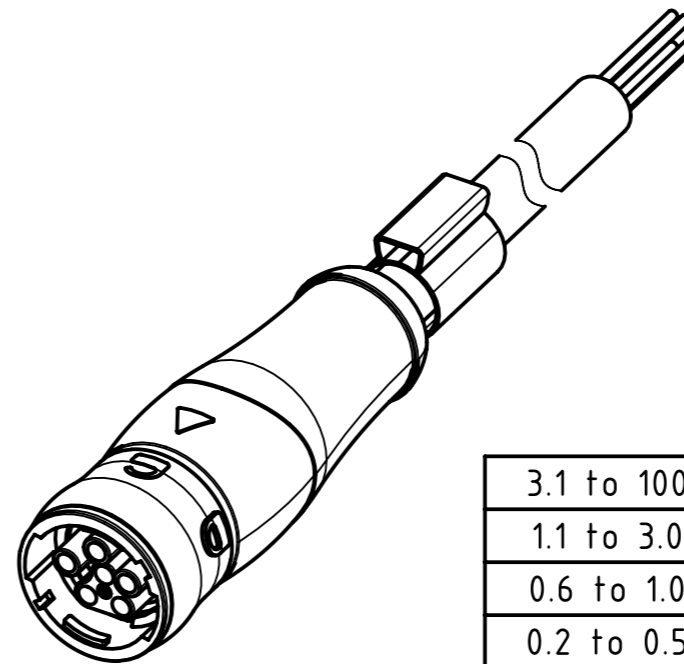


X female



Loading Plan

1	black (1)
2	black (2)
3	black (3)
PE	green/yellow
A	black (4)
B	black (5)



3.1 to 100	±1.5%
1.1 to 3.0	+0.1
0.6 to 1.0	+0.05
0.2 to 0.5	+0.03
a [m]	Tolerance

length in "1m" step	100	XXX=000
	99	XXX=990
	.	.
	12	XXX=120
	11	XXX=110
length in "0.1m" step	10	XXX=100
	9.9	XXX=099
	9.8	XXX=098
	.	.
	0.5	XXX=005
.	.	
0.4	XXX=004	
0.3	XXX=003	
0.2	XXX=002	
Step	a [m]	XXX

- Protection level: IP65/67
 - Temperature range: -25°C ... +80°C

PUR black 6x1,5mm ²	21342900641XXX
Type of cable	Part no.

All Dimensions in mm		Tech. Character.		Free size tol.		According to production drawing	
All rights reserved		Created by 407576 Stoica	Inspected by COSTEA Costea	Standardisation BANCIUD Banciu	Date 2023-11-08	State Final Release	
Department HCS - RO		Title Size 15 6-pol st/- f/- PUR 1.5mm ²				Doc-Key / ECM-Nr. 100955306/UGD/001/C 500000256967	
HARTING Customised Solutions D-32339 Espelkamp		Type TB	Number 21342900641XXX			Rev. C	Page 1/1