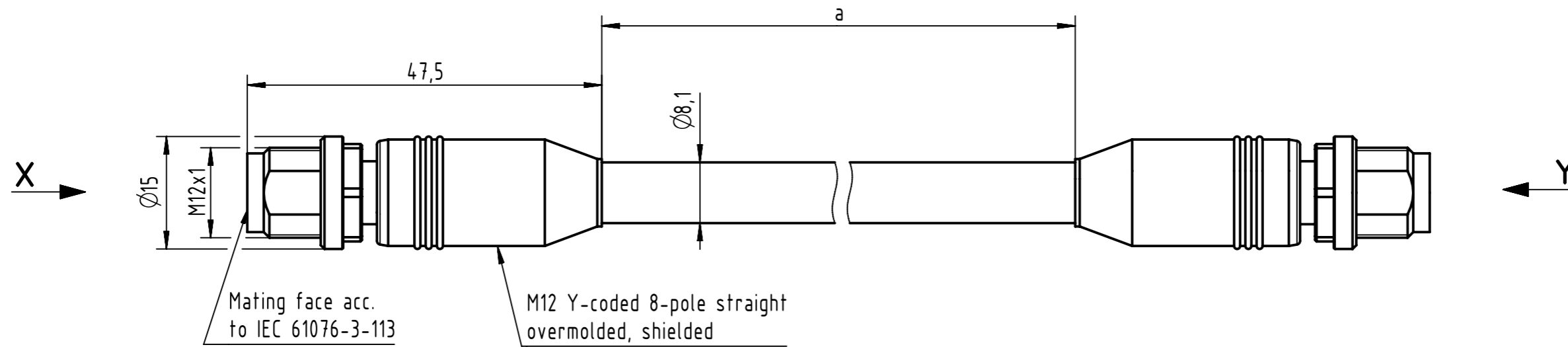


Connector Location A

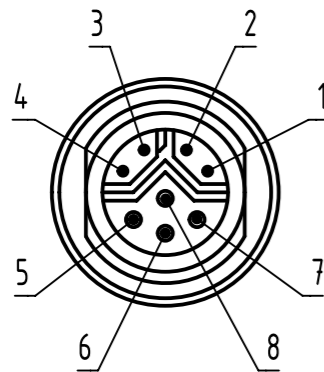
Connector Location B



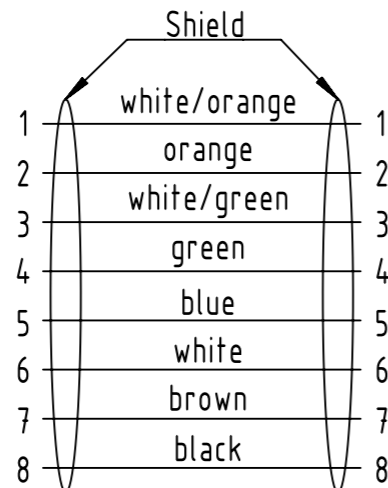
Mating face acc. to IEC 61076-3-113

M12 Y-coded 8-pole straight overmolded, shielded

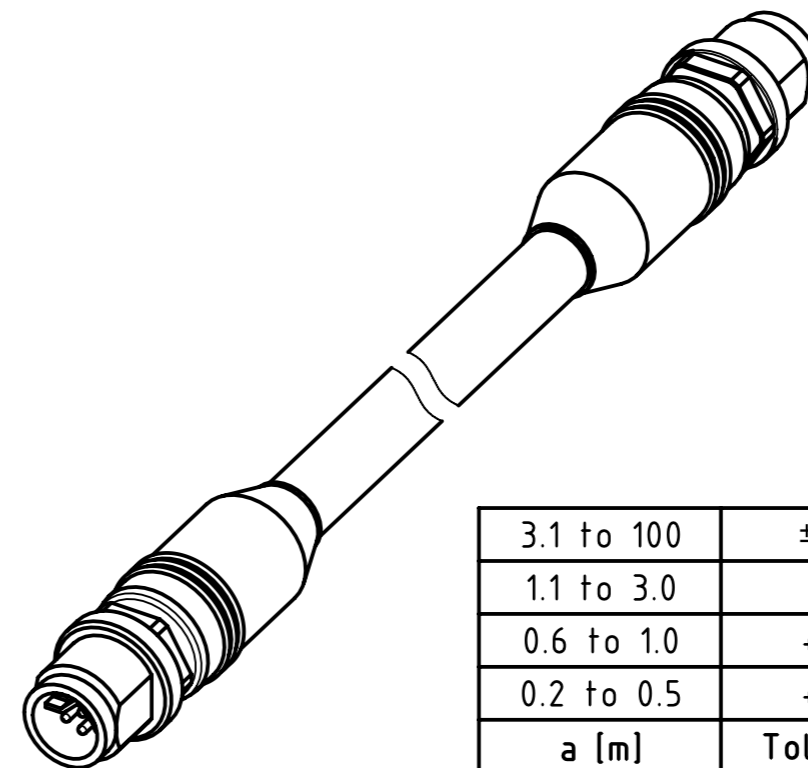
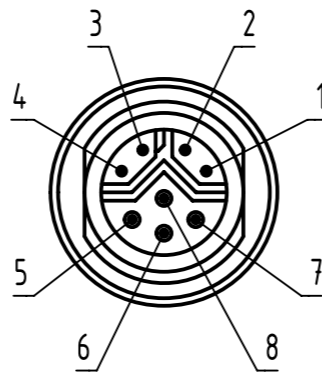
X male



Loading Plan



Y male



3.1 to 100	±1.5%
1.1 to 3.0	+0.1
0.6 to 1.0	+0.05
0.2 to 0.5	+0.03
a [m]	Tolerance

length in "1m" step	100	XXX=000
	99	XXX=990
	.	.
	12	XXX=120
length in "0.1m" step	11	XXX=110
	10	XXX=100
	9.9	XXX=099
	9.8	XXX=098
	.	.
	0.5	XXX=005
Step	0.4	XXX=004
	0.3	XXX=003
	0.2	XXX=002
	a [m]	XXX

- Protection level: IP65/67
- Temperature range: -25°C ... +80°C

Hybrid cable 4xAWG20 + 1x4xAWG26, PUR, green	21342626840XXX
Type of cable	Part no.

	All rights reserved	Created by 407576 Stoica	Inspected by COSTEA Costea	Standardisation BANCIUD Banciu	Date 2023-11-08	State Final Release
	Department HCS - RO	Title M12 Y-cod 8-pol st/st m/m PUR		Doc-Key / ECM-Nr. 100954607/UGD/000/B 500000256967		Rev. B
HARTING Customised Solutions D-32339 Espelkamp		Type TB	Number 21342626840XXX		Page 1/1	