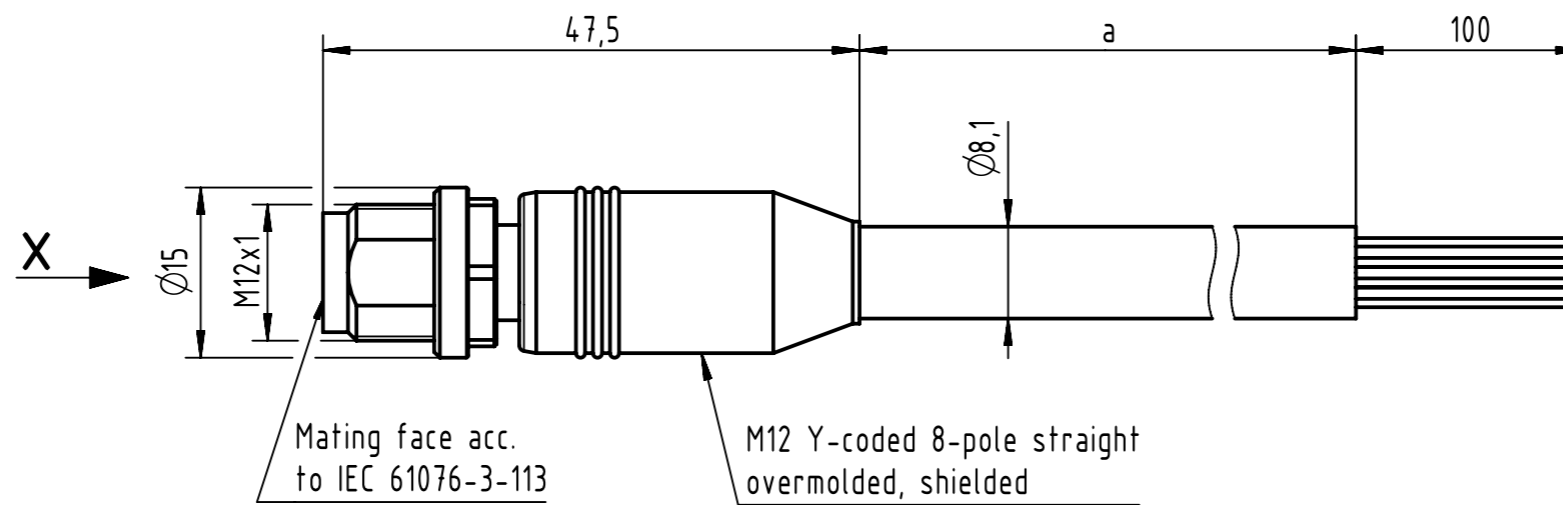
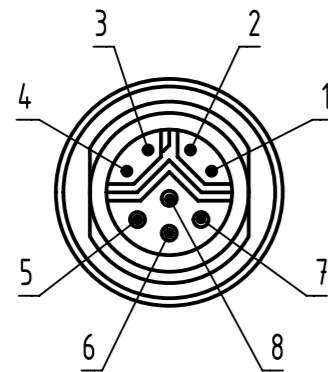


Connector Location A

Connector Location B

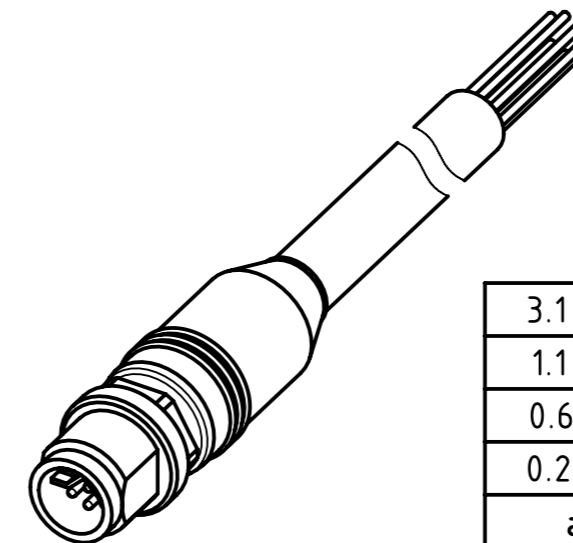


X
male



Loading Plan

Shield
1 white/orange
2 orange
3 white/green
4 green
5 blue
6 white
7 brown
8 black



3.1 to 100	±1.5%
1.1 to 3.0	+0.1
0.6 to 1.0	+0.05
0.2 to 0.5	+0.03
a [m]	Tolerance

length in "1m" step	100	XXX=000
	99	XXX=990
	.	.
	12	XXX=120
	11	XXX=110
length in "0.1m" step	10	XXX=100
	9.9	XXX=099
	9.8	XXX=098
	.	.
	0.5	XXX=005
Step	0.4	XXX=004
	0.3	XXX=003
Step	0.2	XXX=002
	a [m]	XXX

- Protection level: IP65/67
- Temperature range: -25°C ... +80°C

Hybrid cable 4xAWG20 + 1x4xAWG26, PUR, green	21342600840XXX
Type of cable	Part no.

All Dimensions in mm		Tech. Character.		Free size tol.		According to production drawing	
All rights reserved		Created by 407576 Stoica	Inspected by COSTEA Costea	Standardisation BANCIUD Banciu	Date 2023-11-08	State Final Release	
Department HCS - RO		Title M12 Y-cod 8-pol st/- m/- PUR				Doc-Key / ECM-Nr. 100954612/UGD/000/C 500000256967	
HARTING Customised Solutions D-32339 Espelkamp		Type TB	Number 21342600840XXX			Rev. C	Page 1/1