

**ORDERING CODE: M R D - B N 0 X - C B P - X X 0**

SERIES \_\_\_\_\_

CONNECTOR SIZE & MECHANISM  
B = 16mm SIZE WITH LATCH LOCK

HOUSING ORIENTATION & CONTACT TYPE  
N = MALE METAL HOUSING & SOCKET CONTACT

NUMBER OF CONTACTS \_\_\_\_\_  
02 TO 09 = TWO TO NINE CONTACTS  
(06 NOT INCLUDED)

CONTACT TERMINATION TYPE \_\_\_\_\_  
C = CABLE ASSY

CABLE ASSEMBLY TYPE \_\_\_\_\_  
B = SAME CONNECTOR AT BOTH ENDS

CABLE OPTION \_\_\_\_\_  
P = STANDARD CABLE PVC JACKET

SPECIALS  
0 = STANDARD

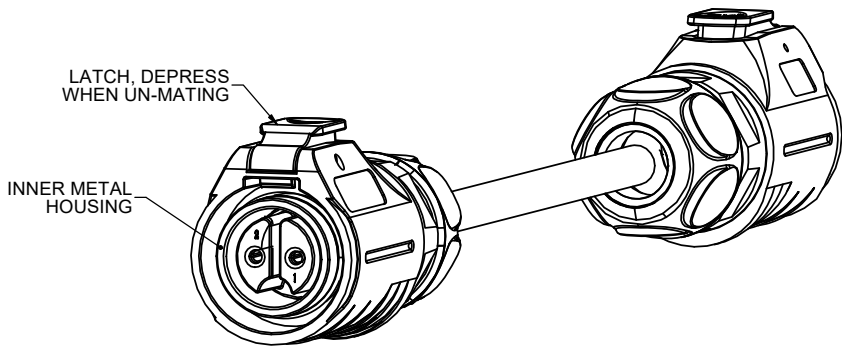
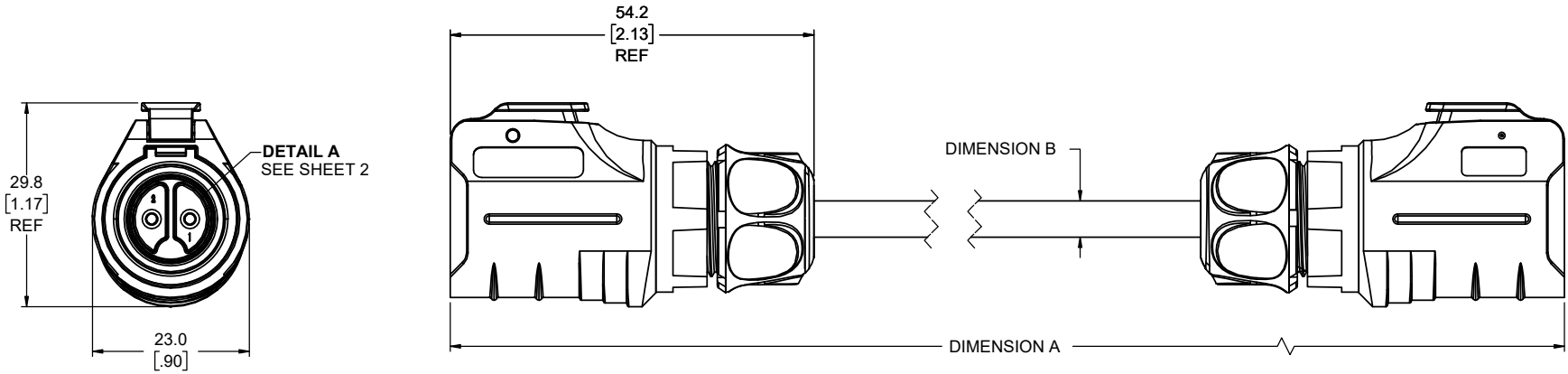
CABLE LENGTH (DIMENSION 'A')	
	LENGTH IN CM
20 TO 99	
A0 TO A9	1 METER + 0 TO 9 DECIMETERS
B0 TO B9	2 METERS + 0 TO 9 DECIMETERS
C0 TO C9	3 METERS + 0 TO 9 DECIMETERS
D0 TO D9	4 METERS + 0 TO 9 DECIMETERS
E0 TO E9	5 METERS + 0 TO 9 DECIMETERS
F0 TO F9	6 METERS + 0 TO 9 DECIMETERS
G0 TO G9	7 METERS + 0 TO 9 DECIMETERS
H0 TO H9	8 METERS + 0 TO 9 DECIMETERS
J0 TO J9	9 METERS + 0 TO 9 DECIMETERS
K0 TO K9	10 METERS + 0 TO 9 METERS
L0 TO L9	20 METERS + 0 TO 9 METERS
M0 TO M9	30 METERS + 0 TO 9 DECAMETERS

CABLE LENGTH ORDERING CODE EXAMPLES:  
75cm = 75    6.3m = F3    25m = L5    80m = M5

REVISIONS			
REV	DESCRIPTION, ECN, EAR NO.	DATE	APP'D
A	PRODUCT DRAWING (EAR 15057)	FEB2/22	K.L.

**NOTES:**

- ALL MATERIALS TO BE RoHS COMPLIANT PER EU DIRECTIVE 2011/65/EU AND AMENDMENTS.  
MRD CONNECTOR
  - OUTER HOUSINGS & END CAP: THERMOPLASTIC PBT, UL FLAMMABILITY RATING 94V-0, OUTDOOR RATING F1, BLACK
  - INNER HOUSING & LATCH: ZINC ALLOY, CHROME PLATED
  - GROMMET & O-RINGS: SILICONE RUBBER
  - CONTACTS: COPPER ALLOY, GOLD OVER NICKEL PLATED
 CABLE: PER UL AWM 2464, 300V, VW-1, STRANDED COPPER CONDUCTORS WITH PVC INSULATION, BLACK PVC JACKET
- ENVIRONMENTAL PROTECTION: IP67 PER IEC 60529 IN MATED CONDITION.
- OPERATING TEMPERATURE: -40°C TO +80°C
- SEE TABLE ON SHEET 2 FOR ADDITIONAL CHARACTERISTICS.
- CABLE ASSEMBLY PIN-OUT IS FROM CONNECTOR POSITION 1 AT ONE END TO POSITION 1 AT THE OTHER END (2 TO 2, 3 TO 3, ETC.).
- MRD CONNECTORS IN THIS CABLE ASSEMBLY WILL MATE WITH FEMALE CONNECTORS WITH PIN CONTACTS PER DRAWINGS P-MRD-BX0X-L13-000 OR P-MRD-BX0X-M1X-000.



**MALE CONNECTOR WITH SOCKET CONTACTS  
(BOTH ENDS OF CABLE)**



THIS DOCUMENT CONTAINS PROPRIETARY INFORMATION AND SUCH INFORMATION MAY NOT BE DISCLOSED TO OTHERS FOR ANY PURPOSE OR USED FOR MANUFACTURING PURPOSES WITHOUT WRITTEN PERMISSION FROM AMPHENOL CANADA CORP.

UNLESS SPECIFIED OTHERWISE	DRAWN	A.NONG	JAN24/22
PRIMARY UNITS MILLIMETERS	CHECKED		
SECONDARY INCHES	M.E. APP'D		
REFERENCE IN PARENTHESES	Q.A. APP'D		
GENERAL TOLERANCES	DWG APPR.	K.LAMBIE	FEB2/22
1 DECIMAL PLACE	ENG. REL. NO.		
2 DECIMAL PLACES	REF.	EAR 15057	
3 DECIMAL PLACES	THIRD ANGLE PROJECTION		
ANGULAR DEGREES	DO NOT SCALE DRAWING		

<b>Amphenol Canada Corp.</b> Commercial Products	
MRD SERIES CABLE ASSEMBLY, MALE CONNECTOR WITH METAL HOUSING & SOCKET CONTACTS AT BOTH ENDS, 2-5 & 7-9 POSITIONS, RoHS COMPLIANT	
DWG. NO.	REV
<b>P-MRD-BN0X-CBP-XX0</b>	<b>A</b>
CODE ID NO. 03554	DWG SIZE: X
SCALE: 2:1	SHEET 1 OF 2

REVISIONS			
REV	DESCRIPTION, ECN, EAR NO.	DATE	APP'D
A	PRODUCT DRAWING (EAR 15057)	FEB2/22	K.L.

**END VIEWS FOR CONTACT MATING AREA**

DETAIL A VIEW (SCALE 3:1)							
NUMBER OF CONTACTS	2	3	4	5	7	8	9

**CABLE ASSEMBLY CHARACTERISTICS**

CABLE ASSEMBLY PART NUMBER	DIMENSION B	CABLE CONDUCTOR SIZE	VOLTAGE RATING	CURRENT RATING	DIELECTRIC WITHSTANDING VOLTAGE
MRD-BN02-CBP-XX0	6.3 [.25]	16 AWG	300 VAC	10A	2500 VDC
MRD-BN03-CBP-XX0	6.7 [.26]	16 AWG			
MRD-BN04-CBP-XX0	7.3 [.29]	16 AWG			
MRD-BN05-CBP-XX0	5.3 [.21]	22 AWG	250 VAC	5A	1500 VDC
MRD-BN07-CBP-XX0	5.8 [.23]	22 AWG			
MRD-BN08-CBP-XX0	6.0 [.24]	22 AWG			
MRD-BN09-CBP-XX0	6.8 [.27]	22 AWG			



UNLESS SPECIFIED OTHERWISE	DRAWN	A.NONG	JAN24/22
PRIMARY UNITS MILLIMETERS	CHECKED		
SECONDARY UNITS INCHES	M.E. APP'D		
REFERENCE IN PARENTHESES	Q.A. APP'D		
GENERAL TOLERANCES	DWG APPR.	K.LAMBIE	FEB2/22
1 DECIMAL PLACE	ENG. REL. NO.		
2 DECIMAL PLACES	REF.	EAR 15057	
3 DECIMAL PLACES	THIRD ANGLE PROJECTION		DO NOT SCALE DRAWING
ANGULAR DEGREES			

**Amphenol Canada Corp.**  
Commercial Products

**MRD SERIES CABLE ASSEMBLY, MALE CONNECTOR WITH METAL HOUSING & SOCKET CONTACTS AT BOTH ENDS, 2-5 & 7-9 POSITIONS, RoHS COMPLIANT**

DWG. NO. **P-MRD-BN0X-CBP-XX0** REV **A**

CODE ID NO. 03554 | DWG SIZE: X | SCALE: 2:1 | SHEET 2 OF 2