

ORDERING CODE: M R D - B M 0 X - C B P - X X 0

SERIES _____

CONNECTOR SIZE & MECHANISM
B = 16mm SIZE WITH LATCH LOCK

HOUSING ORIENTATION & CONTACT TYPE
M = MALE METAL HOUSING & PIN CONTACT

NUMBER OF CONTACTS _____
02 TO 09 = TWO TO NINE CONTACTS
(06 NOT INCLUDED)

CONTACT TERMINATION TYPE _____
C = CABLE ASSY

CABLE ASSEMBLY TYPE _____
B = SAME CONNECTOR AT BOTH ENDS

CABLE OPTION _____
P = STANDARD CABLE PVC JACKET

SPECIALS
0 = STANDARD

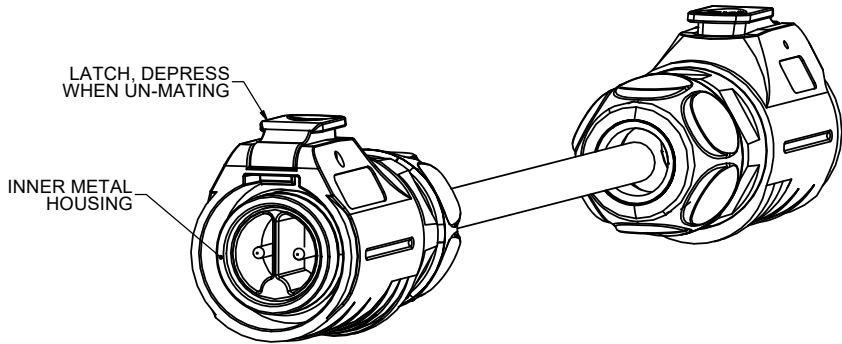
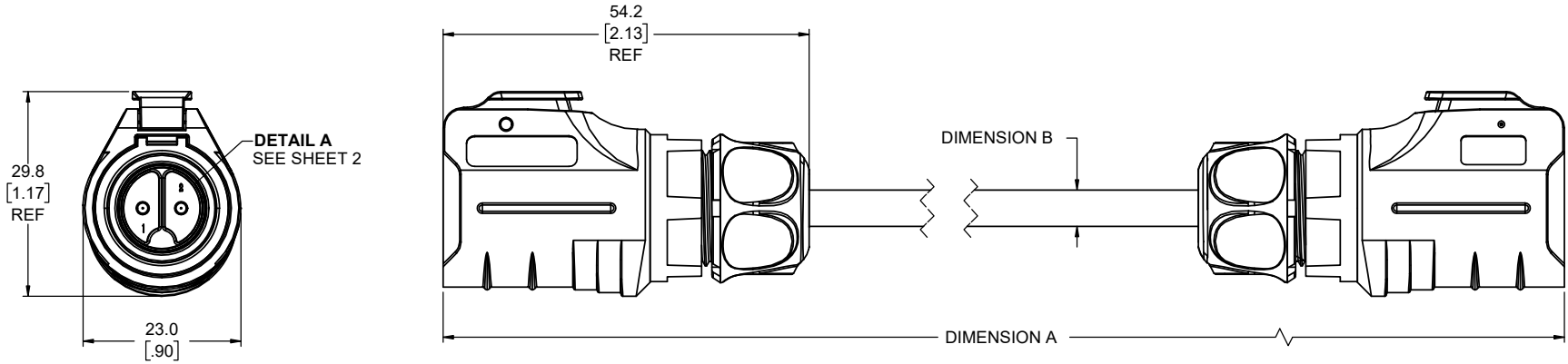
CABLE LENGTH (DIMENSION 'A')	
	LENGTH IN CM
20 TO 99	
A0 TO A9	1 METER + 0 TO 9 DECIMETERS
B0 TO B9	2 METERS + 0 TO 9 DECIMETERS
C0 TO C9	3 METERS + 0 TO 9 DECIMETERS
D0 TO D9	4 METERS + 0 TO 9 DECIMETERS
E0 TO E9	5 METERS + 0 TO 9 DECIMETERS
F0 TO F9	6 METERS + 0 TO 9 DECIMETERS
G0 TO G9	7 METERS + 0 TO 9 DECIMETERS
H0 TO H9	8 METERS + 0 TO 9 DECIMETERS
J0 TO J9	9 METERS + 0 TO 9 DECIMETERS
K0 TO K9	10 METERS + 0 TO 9 METERS
L0 TO L9	20 METERS + 0 TO 9 METERS
M0 TO M9	30 METERS + 0 TO 9 DECAMETERS

CABLE LENGTH ORDERING CODE EXAMPLES:
75cm = 75 6.3m = F3 25m = L5 80m = M5

REVISIONS			
REV	DESCRIPTION, ECN, EAR NO.	DATE	APP'D
A	PRODUCT DRAWING (EAR 15057)	JAN21/22	K.L.
B	PRODUCT DRAWING (EAR 15057)	FEB2/22	K.L.

NOTES:

- ALL MATERIALS TO BE RoHS COMPLIANT PER EU DIRECTIVE 2011/65/EU AND AMENDMENTS.
MRD CONNECTOR
 - OUTER HOUSINGS & END CAP: THERMOPLASTIC PBT, UL FLAMMABILITY RATING 94V-0, OUTDOOR RATING F1, BLACK
 - INNER HOUSING & LATCH: ZINC ALLOY, CHROME PLATED
 - GROMMET & O-RINGS: SILICONE RUBBER
 - CONTACTS: COPPER ALLOY, GOLD OVER NICKEL PLATED
 CABLE: PER UL AWM 2464, 300V, VW-1, STRANDED COPPER CONDUCTORS WITH PVC INSULATION, BLACK PVC JACKET
- ENVIRONMENTAL PROTECTION: IP67 PER IEC 60529 IN MATED CONDITION.
- OPERATING TEMPERATURE: -40°C TO +80°C
- SEE TABLE ON SHEET 2 FOR ADDITIONAL CHARACTERISTICS.
- CABLE ASSEMBLY PIN-OUT IS FROM CONNECTOR POSITION 1 AT ONE END TO POSITION 1 AT THE OTHER END (2 TO 2, 3 TO 3, ETC.).
- MRD CONNECTORS IN THIS CABLE ASSEMBLY WILL MATE WITH FEMALE CONNECTORS WITH SOCKET CONTACTS PER DRAWINGS P-MRD-BX0X-L13-000 OR P-MRD-BX0X-M1X-000.



**MALE CONNECTOR WITH PIN CONTACTS
(BOTH ENDS OF CABLE)**



UNLESS SPECIFIED OTHERWISE	DRAWN	A.NONG	JAN13/22
PRIMARY UNITS MILLIMETERS	CHECKED	E.QU	JAN17/22
SECONDARY INCHES	M.E. APP'D		
REFERENCE IN PARENTHESES	Q.A. APP'D		
GENERAL TOLERANCES	DWG APPR.	K.LAMBIE	JAN21/22
1 DECIMAL PLACE	ENG. REL. NO.		
2 DECIMAL PLACES	REF.	EAR 15057	
3 DECIMAL PLACES	THIRD ANGLE PROJECTION		
ANGULAR DEGREES	DO NOT SCALE DRAWING		

Amphenol Canada Corp.
Commercial Products

MRD SERIES CABLE ASSEMBLY, MALE CONNECTOR WITH METAL HOUSING & PIN CONTACTS AT BOTH ENDS, 2-5 & 7-9 POSITIONS, RoHS COMPLIANT

DWG. NO. **P-MRD-BM0X-CBP-XX0** REV **B**

CODE ID NO. 03554 DWG SIZE: X SCALE: 2:1 SHEET 1 OF 2

REVISIONS			
REV	DESCRIPTION, ECN, EAR NO.	DATE	APP'D
A	PRODUCT DRAWING (EAR 15057)	JAN21/22	K.L.
B	PRODUCT DRAWING (EAR 15057)	FEB2/22	K.L.

END VIEWS FOR CONTACT MATING AREA

DETAIL A VIEW (SCALE 3:1)							
NUMBER OF CONTACTS	2	3	4	5	7	8	9

CABLE ASSEMBLY CHARACTERISTICS

CABLE ASSEMBLY PART NUMBER	DIMENSION B	CABLE CONDUCTOR SIZE	VOLTAGE RATING	CURRENT RATING	DIELECTRIC WITHSTANDING VOLTAGE
MRD-BM02-CBP-XX0	6.3 [.25]	16 AWG	300 VAC	10A	2500 VDC
MRD-BM03-CBP-XX0	6.7 [.26]	16 AWG			
MRD-BM04-CBP-XX0	7.3 [.29]	16 AWG			
MRD-BM05-CBP-XX0	5.3 [.21]	22 AWG	250 VAC	5A	1500 VDC
MRD-BM07-CBP-XX0	5.8 [.23]	22 AWG			
MRD-BM08-CBP-XX0	6.0 [.24]	22 AWG			
MRD-BM09-CBP-XX0	6.8 [.27]	22 AWG			



UNLESS SPECIFIED OTHERWISE	DRAWN	A.NONG	JAN13/22
PRIMARY UNITS MILLIMETERS	CHECKED	E.QU	JAN17/22
SECONDARY INCHES	M.E. APP'D		
REFERENCE IN PARENTHESES	Q.A. APP'D		
GENERAL TOLERANCES	DWG APPR.	K.LAMBIE	JAN21/22
1 DECIMAL PLACE	ENG. REL. NO.		
2 DECIMAL PLACES	REF.	EAR 15057	
3 DECIMAL PLACES	THIRD ANGLE PROJECTION		DO NOT SCALE DRAWING
ANGULAR DEGREES			

Amphenol Canada Corp.
Commercial Products

MRD SERIES CABLE ASSEMBLY, MALE CONNECTOR WITH METAL HOUSING & PIN CONTACTS AT BOTH ENDS, 2-5 & 7-9 POSITIONS, RoHS COMPLIANT

DWG. NO. **P-MRD-BM0X-CBP-XX0** REV **B**

CODE ID NO. 03554 DWG SIZE: X SCALE: 2:1 SHEET 2 OF 2