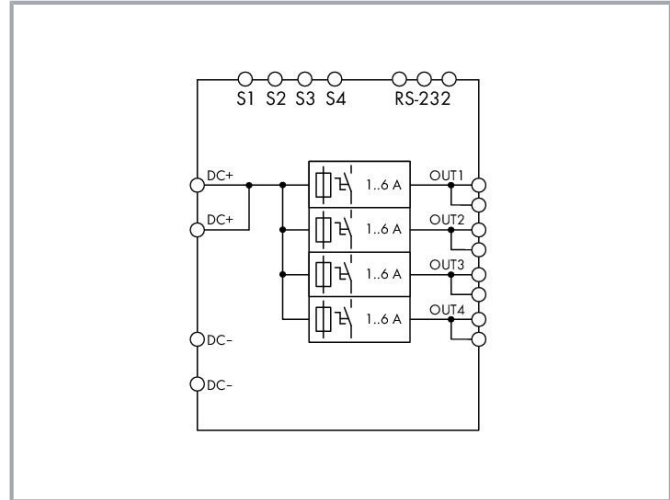


Data sheet | Item number: 787-860

Electronic circuit breaker; 4-channel; 24 VDC input voltage; adjustable 1 ... 6 A; communication capability; 10,00 mm²



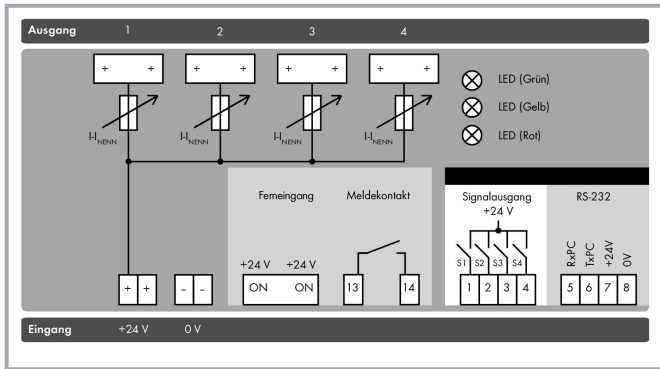
www.wago.com/787-860



Subject to changes. Please also observe the further product documentation!

WAGO GmbH & Co. KG
Hansastr. 27
32423 Minden
Phone: +49571 887-0 | Fax: +49571 887-169
Email: info.de@wago.com | Web: www.wago.com

Do you have any questions about our products?
We are always happy to take your call at +49 (571) 887-44222.



Item description

Features:

- ECB with four channels (parametrizable)
- Time-delayed switching of channels
- Isolated signal contact
- Current and voltage monitoring via RS-232 interface and LCD
- Four active signal outputs for function monitoring

Data

Technical data

Input

Nominal input voltage $U_{i\text{ nom}}$	DC 24 V
Input voltage range	DC 18 ... 30 V

Output

Total number of channels (module)	4
Nominal output voltage $U_{o\text{ nom}}$	4 x DC 24 V
Output voltage range	DC 18 ... 30 V (U_e - voltage drop)
Voltage drop	≤ 140 mV (6 A) (Input (+))
Nominal output current $I_{o\text{ nom}}$	4 x 1 / 2 / 3 / 4 / 5 / 6 A (adjustable for each channel)
Switch-on capacity	> 20000 μ F
Switch-on behavior	Time-delayed channel switching (250 ms each)
Active current limitation	No

Subject to changes. Please also observe the further product documentation!

WAGO GmbH & Co. KG
 Hansastr. 27
 32423 Minden
 Phone: +49571 887-0 | Fax: +49571 887-169
 Email: info.de@wago.com | Web: www.wago.com

Do you have any questions about our products?
 We are always happy to take your call at +49 (571) 887-44222.

Current limitation	No
--------------------	----

Signaling and communication

Signaling	<ul style="list-style-type: none"> 1 x LED DC OK (green) 1 x Warning LED (yellow) 1 x Error LED (red) LCD 1 x Remote control input 4 x Signal output (24 VDC; max. 25 mA) 1 x Isolated relay contact (max. 30 VDC; 1 A) 1 x RS-232 interface
Operation status indicator	<ul style="list-style-type: none"> Green LED (all channels OK) Yellow LED (warning) Red LED (at least one channel has tripped)
Communication	RS-232 serial interface
Remote input	Reactivation of all tripped channels via 18 ... 30 VDC pulse for min. 50 ms

Efficiency/power losses

Power loss P_l	$\leq 2 \text{ W}; \leq 5.5 \text{ W}$ (nominal load)
Efficiency (typ.)	96 %

Circuit protection

Internal fuse	T 15 A
---------------	--------

Safety and protection

Isolation voltage (connectors – housing)	DC 0.5 kV
Protection class	III
Protection type	IP20; per EN 60529
Reverse voltage protection	No
Resistance to reverse feed	$\leq \text{DC } 33 \text{ V}$
Pollution degree	2
Transient suppression (primary)	Suppressor diode
Parallel operation of single channels	Not permitted
Series operation	No
MTBF	> 500,000 h (per IEC 61709)

Subject to changes. Please also observe the further product documentation!



Connection data

Connection type 1	Input (+)
Connection technology	Push-in CAGE CLAMP®
WAGO connector	WAGO 831 Series
Solid conductor	0.5 ... 10 mm ² / 20 ... 8 AWG
Fine-stranded conductor	0.5 ... 10 mm ² / 20 ... 8 AWG
Strip length	13 ... 15 mm / 0.51 ... 0.59 inches
Connection type 2	Input (-); output; signaling
Connection technology	CAGE CLAMP®
WAGO connector 2	WAGO 231 Series
Solid conductor 2	0.08 ... 2.5 mm ² / 28 ... 12 AWG
Fine-stranded conductor 2	0.08 ... 2.5 mm ² / 28 ... 12 AWG
Strip length 2	8 ... 9 mm / 0.31 ... 0.35 inches

Physical data

Width	40 mm / 1.575 inches
Height	171 mm / 6.732 inches
Depth from upper-edge of DIN-rail	163 mm / 6.417 inches
Note (dimensions)	Height with connector

Mechanical data

Mounting type	DIN-35 rail
---------------	-------------

Material data

Weight	800 g
--------	-------

Environmental requirements

Ambient temperature (operation)	-10 ... +60 °C
Ambient temperature (storage)	-25 ... +85 °C
Relative humidity	5 ... 96 % (no condensation permissible)

Standards and specifications

Conformity marking	CE
Standards/specifications	EN 60950

Subject to changes. Please also observe the further product documentation!

UL 508
EN 61000-6-2
EN 61000-6-3

Commercial data




Product Group	6 (INTERFACE ELECTRONIC)
eCl@ss 10.0	27-37-18-02
eCl@ss 9.0	27-37-18-02
ETIM 8.0	EC001440
ETIM 7.0	EC001440
Recupel Type	
ECCN	NO DATA
PU (SPU)	1 pcs
Packaging type	Box
Country of origin	DE
Customs tariff number	85363010900

Environmental Product Compliance

RoHS Compliance Status	Compliant, No Exemption
------------------------	-------------------------

Approvals / Certificates

General approvals

Logo	Approval	Additional Approval Text	Certificate name
	EAC GZO Almaty Standart	TP TC 020/2011	EAC CoC 03081
	UL Underwriters Laboratories Inc.	UL 508	E255817
	UL Underwriters Laboratories Inc.	UL 60950-1	E255815

Declarations of conformity and manufacturer's declarations

Logo	Approval	Additional Approval Text	Certificate name
------	----------	--------------------------	------------------

Subject to changes. Please also observe the further product documentation!

WAGO GmbH & Co. KG
Hansastr. 27
32423 Minden
Phone: +49571 887-0 | Fax: +49571 887-169
Email: info.de@wago.com | Web: www.wago.com

Do you have any questions about our products?
We are always happy to take your call at +49 (571) 887-44222.



EU-Declaration of Conformity
WAGO GmbH & Co. KG

Optional accessories

Marking accessories

Marking strip



Item no.: 2009-110

Marking strips; for Smart Printer; on reel; not stretchable; plain; snap-on type; white

www.wago.com/2009-110



Item no.: 210-831

Marking strips; on reel; 2.3 mm wide; plain; Self-adhesive; white

www.wago.com/210-831



Item no.: 210-832

Marking strips; on reel; 3 mm wide; plain; Self-adhesive; white

www.wago.com/210-832

Marker



Item no.: 2009-145

Mini-WSB Inline; for Smart Printer; 1700 pieces on roll; stretchable 5 - 5.2 mm; plain; snap-on type; white

www.wago.com/2009-145



Item no.: 2009-115

WMB-Inline; for Smart Printer; 1500 pieces on roll; stretchable 5 - 5.2 mm; plain; snap-on type; white

www.wago.com/2009-115



Item no.: 248-501

Mini-WSB marking card; as card; not stretchable; plain; snap-on type; white

www.wago.com/248-501



Item no.: 793-501

WMB marking card; as card; not stretchable; plain; snap-on type; white

www.wago.com/793-501



Item no.: 793-5501

WMB marking card; as card; for terminal block width 5 - 17.5 mm; stretchable 5 - 5.2 mm; plain; snap-on type; white

www.wago.com/793-5501

Cables and pluggable connectors

Communication cable



Item no.: 787-890

RS-232 communication cable; Length 1.8 m

www.wago.com/787-890

Connecting cable



Item no.: 761-9005

USB adapter; with 1m connection cable

www.wago.com/761-9005

Subject to changes. Please also observe the further product documentation!

WAGO GmbH & Co. KG

Hansastr. 27

32423 Minden

Phone: +49571 887-0 | Fax: +49571 887-169

Email: info.de@wago.com | Web: www.wago.com

Do you have any questions about our products?

We are always happy to take your call at +49 (571) 887-44222.

Mounting adapter

Wall-mount adapter



Item no.: 787-895

Mounting carrier; for screw fixing of 787-8xx devices on mounting plate or wall without DIN 35 rail

www.wago.com/787-895

DIN-rail adapter



Item no.: 787-897

Carrier rail adapter made of zinc die-cast; for mounting 787-8xx devices to a DIN 35 rail

www.wago.com/787-897



Item no.: 787-896

Carrier rail adapter; for mounting 787-8xx devices to a DIN 35 rail

www.wago.com/787-896

Tool

Operating tool



Item no.: 210-721

Operating tool; Blade: 5.5 x 0.8 mm; with a partially insulated shaft; multicoloured

www.wago.com/210-721



Item no.: 210-720

Operating tool; Blade: 3.5 x 0.5 mm; with a partially insulated shaft; multicoloured

www.wago.com/210-720

Downloads

Documentation

Bid Text

787-860 docx - Datei	2019 年7月3日	docx 19.0 kB	Download
787-860 X81 - Datei	2019 年7月3日	xml 7.3 kB	Download

Instruction Leaflet

EPSITRON Electronic Circuit Breaker 4 x DC 24 V, 1...6 A		pdf 755.5 kB	Download
---	--	-----------------	----------

Additional Information

Disposal and Recycling Electrical and electronic equipment, Batteries, Packaging	V 1.1.0 2022 年8月18日	pdf 2.2 MB	Download
---	------------------------	---------------	----------

Subject to changes. Please also observe the further product documentation!



Libraries

Library

Anbindung Stromversorgungen Serie 787	1.3.0	zip	Download
Die Bibliothek "WagoLib787_01.lib" stellt Funktionsbausteine und Visualisierungen zur Verfügung, mit deren Hilfe die Informationen der WAGO Stromversorgungsmodule der Serie 787 angezeigt werden können.	2014 年5月14 日	562.7 kB	

Engineering-Software

Configuration and Commissioning Software

WAGO Software 759-860	1.2.6	zip	Download
Software 759-860, for configuration and visualization of electronic circuit breakers 787-860, 787-861 und 787-862	2012 年2月16 日	521.5 kB	

CAD/CAE-Data

CAD data

2D/3D Models 787-860		URL	Download
----------------------	--	-----	----------

CAE data

WSCAD Universe 787-860		URL	Download
------------------------	--	-----	----------

ZUKEN Portal 787-860		URL	Download
----------------------	--	-----	----------

EPLAN Data Portal 787-860		URL	Download
---------------------------	--	-----	----------

Asset Administration Shell

Asset Administration Shell 787-860		URL	Download
------------------------------------	--	-----	----------

Environmental Product Compliance

Compliance Search

Environmental Product Compliance 787-860		URL	Download
Electronic circuit breaker; 4-channel; 24 VDC input voltage; adjustable 1 ... 6 A; communication capability; 10,00 mm ²			

Subject to changes. Please also observe the further product documentation!



Installation Notes

Subject to changes. Please also observe the further product documentation!

WAGO GmbH & Co. KG
Hansastr. 27
32423 Minden
Phone: +49571 887-0 | Fax: +49571 887-169
Email: info.de@wago.com | Web: www.wago.com

Do you have any questions about our products?
We are always happy to take your call at +49 (571) 887-44222.