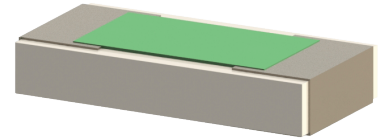


### RP0603ZZ-XXXXWN-91 Features:

- Wraparound Terminals
- Solder or Epoxy Attachment
- Customer Defined Testing Available
- RoHS Compliant or SnPb Available
- Tape & Reel or Waffle Pack Available (Standard is bulk)



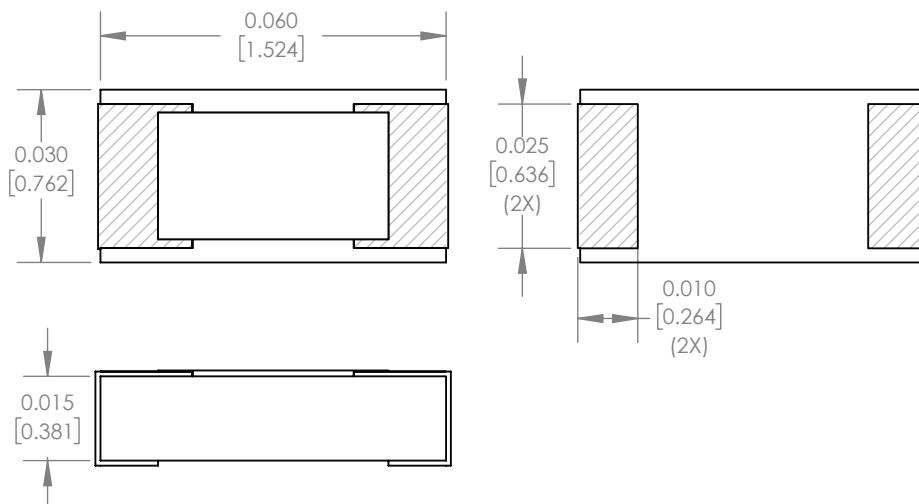
### RP0603ZZ-XXXXWN-91 Parameters:

Resistance Range: 0.5Ω - 1MΩ  
 Rated Power: 200mW\*  
 Construction: Thick Film on Al<sub>2</sub>O<sub>3</sub>  
 Operating Temperature: -55 to +150°C

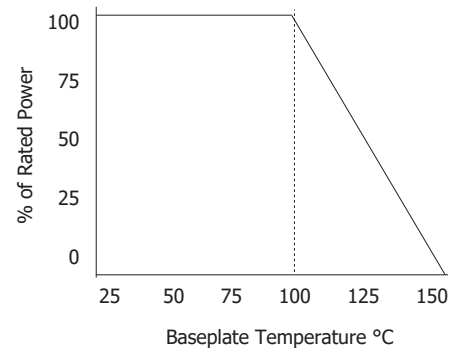
■ Actual Size

\* Rating based on ≤100°C constant baseplate temperature

### RP0603ZZ-XXXXWN-91 Dimensions:



### RP0603ZZ-XXXXWN-91 Power Derating Curve



Dimensions in inches [mm]  
 Tolerance is ± 0.005 [0.127]  
 unless otherwise stated

### Ordering Information:

### Example Part Number: RP0603CT-50R0JN-91

RP	0603	ZZ	-	XXXX	W	N	-	91	UU
Prefix for Wraparound Resistor	Size	Value Code Examples		Tolerance	Normal Inspection	Substrate		Packaging	
	0603	10R0 - 10Ω 1000 - 100Ω 1001 - 1KΩ	1002 - 10KΩ 1003 - 100KΩ 1004 - 1MΩ	F - 1% G - 2% J - 5%	Contact factory for additional options	91 - 0.015" Al <sub>2</sub> O <sub>3</sub>		Blank - Bulk TR - Tape and Reel WP - Waffle Pack	

#### Terminal Metallization

	RoHS	Magnetic	Solder	Epoxy	Wirebond
AS - SnPb over Platinum Palladium Gold	No	No	Yes	No	No
BA - Palladium Silver	Yes	No	No	Yes	No
CT - 100% Matte Tin over Nickel over Silver	Yes	Yes	Yes	No	No
CB - SnPb over Nickel over Silver	No	Yes	Yes	No	No
DS - Sn96 over Palladium Silver	Yes	No	Yes	No	No
GA - Gold	Yes	No	No	Yes	Yes

Barry Industries reserves the right to change part number and/or process without notification.

**RP0603ZZ-XXXXWN-91 Reliability Specifications:**

Parameter:	Test Condition:	Results:
Short Time Overload	Apply 1.1x Rated Power for 5 Seconds.	≤ 5.0% Resistance Shift
Rated Load Life	Apply 1/2 Power Under 40°C ±2°C 90 Minutes on/ 30 Minutes off. Repeat for 100 hours	≤ 5.0% Resistance Shift
Moisture Resistance	MIL-PRF-55342 para 4.8.9 95% RH, 25°C - 65°C	≤ 5.0% Resistance Shift
Resistance to Soldering Heat	MIL-STD-202 Method 210 and MIL-PRF-55342 Para 4.8.8.1	≤ 5.0% Resistance Shift
Solderability	MIL-PRF-55342 Para 4.8.12	>95% Covered
High Temperature Storage	125°C ±2°C for 500 Hours	1.) ≤ 5.0% Resistance Shift 2.) No Significant Abnormality (Visual)
Thermal Shock	-65°C to +150°C 30 Minutes Dwell, 5 Cycles	1.) ≤ 5.0% Resistance Shift 2.) No Significant Abnormality (Visual)

Barry Industries reserves the right to change part number and/or process without notification.