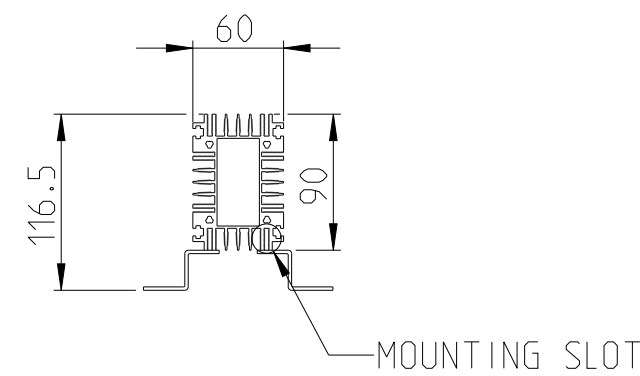
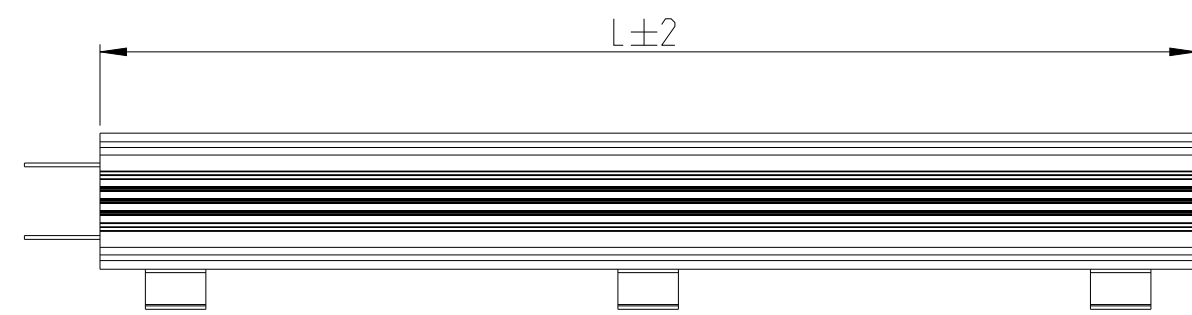


P	LTR	DESCRIPTION	DATE	DWN	APVD
A		INITIAL DRAWING RELEASE	22JUN2023	DM	AP
A1		CHANGE DIMENSION ON MOUNTING FEET	10AUG2023	DM	AP

VERTICAL MOUNTING

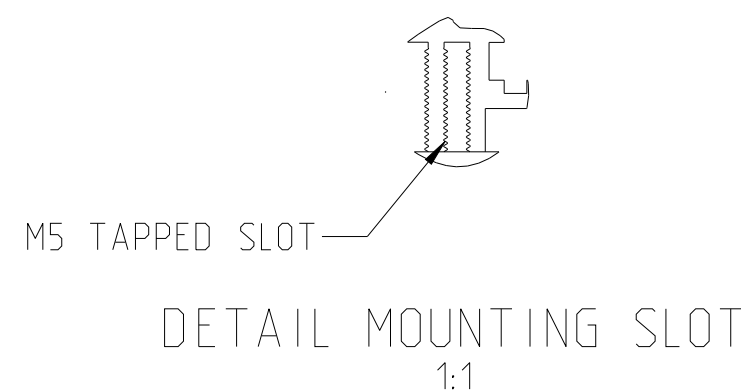
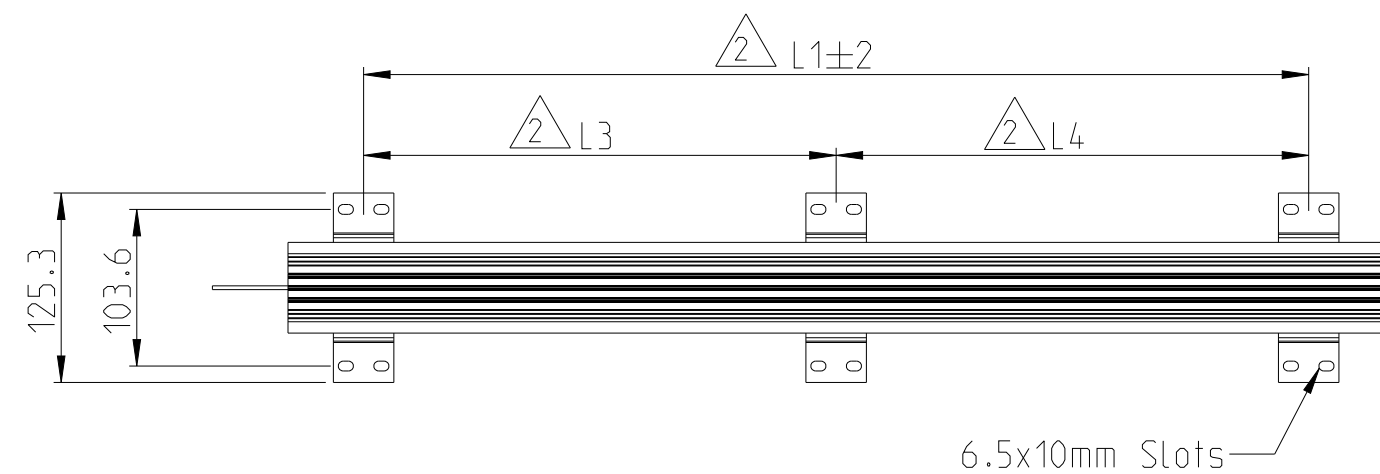


FOR FURTHER INFORMATION SEE DATA SHEET FOR ALUMINIUM HOUSED RESISORS TYPE CJB SERIES

NOTE:

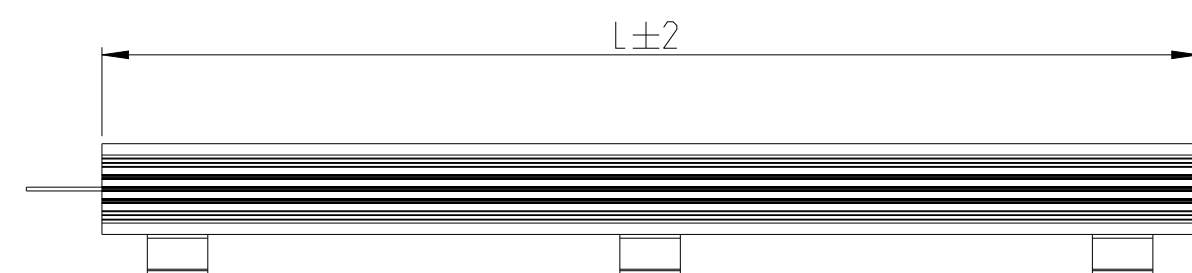
1 6X MOUNTING FEET, M5 SCREWS AND WASHERS ARE SUPPLIED IN A KIT FORM

2 THIS DIMENSION CAN BE ADJUSTED, SINCE THREADING IS AVAILABLE ALONG THE LENGTH OF THE RESISTOR

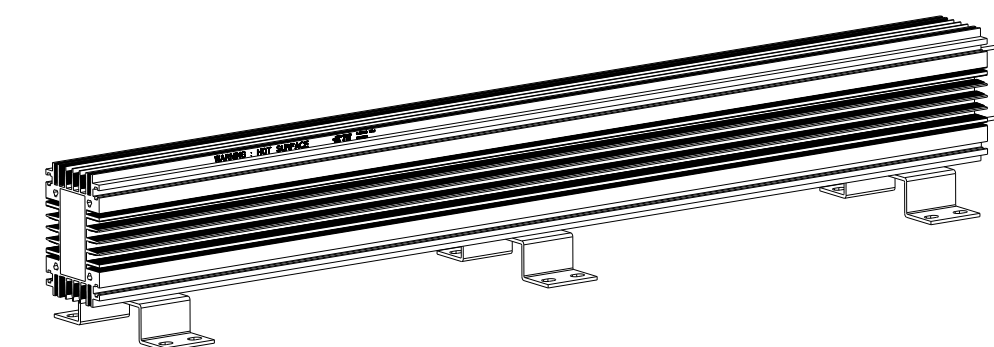
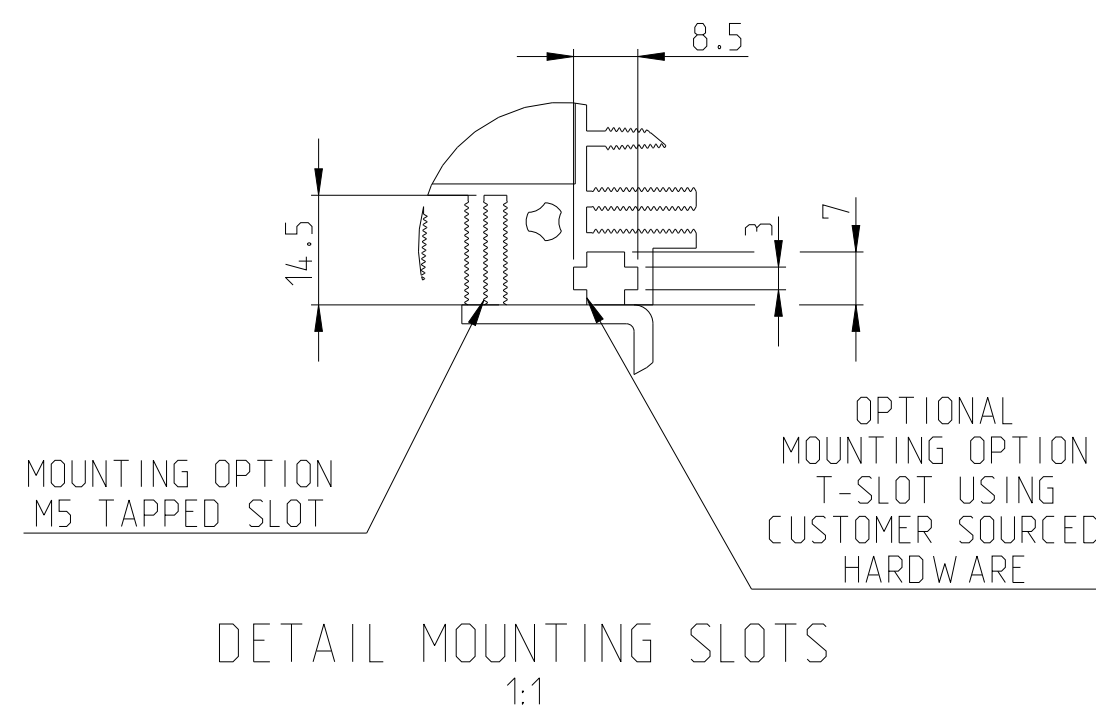
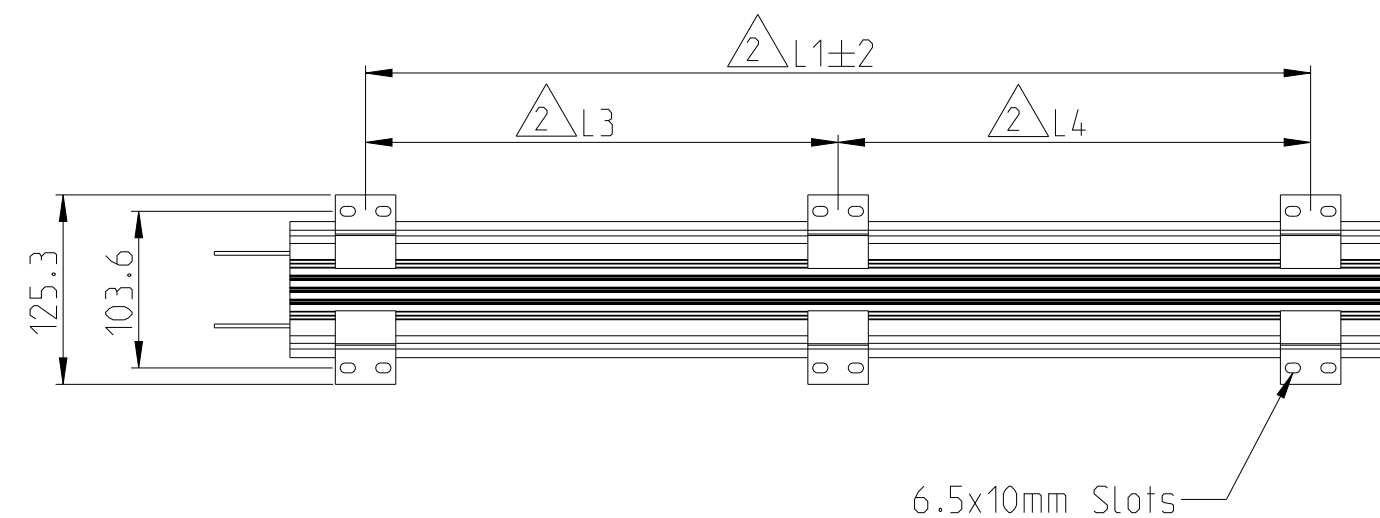
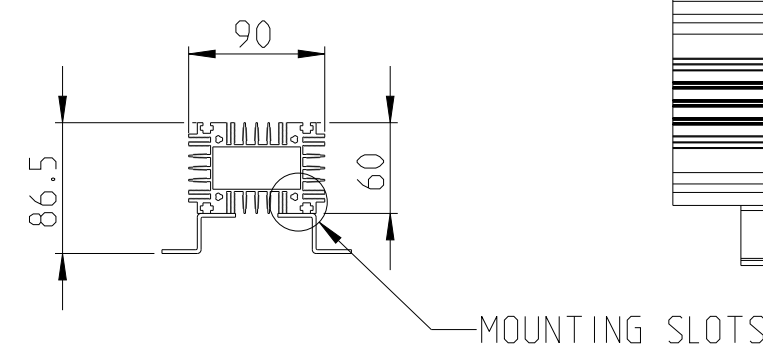
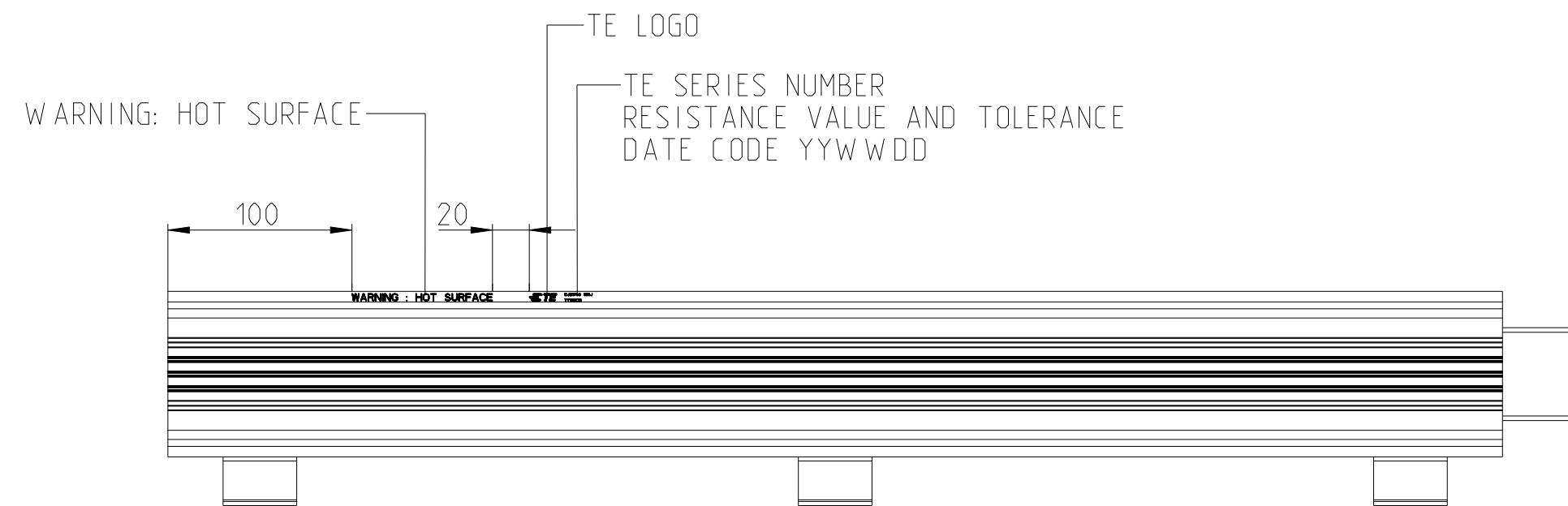


TYPE	POWER RATING (W)	L (mm)	L1 (mm)	L3 (mm)	L4 (mm)
CJB1700	1700	725	625	312.5	312.5

HORIZONTAL MOUNTING



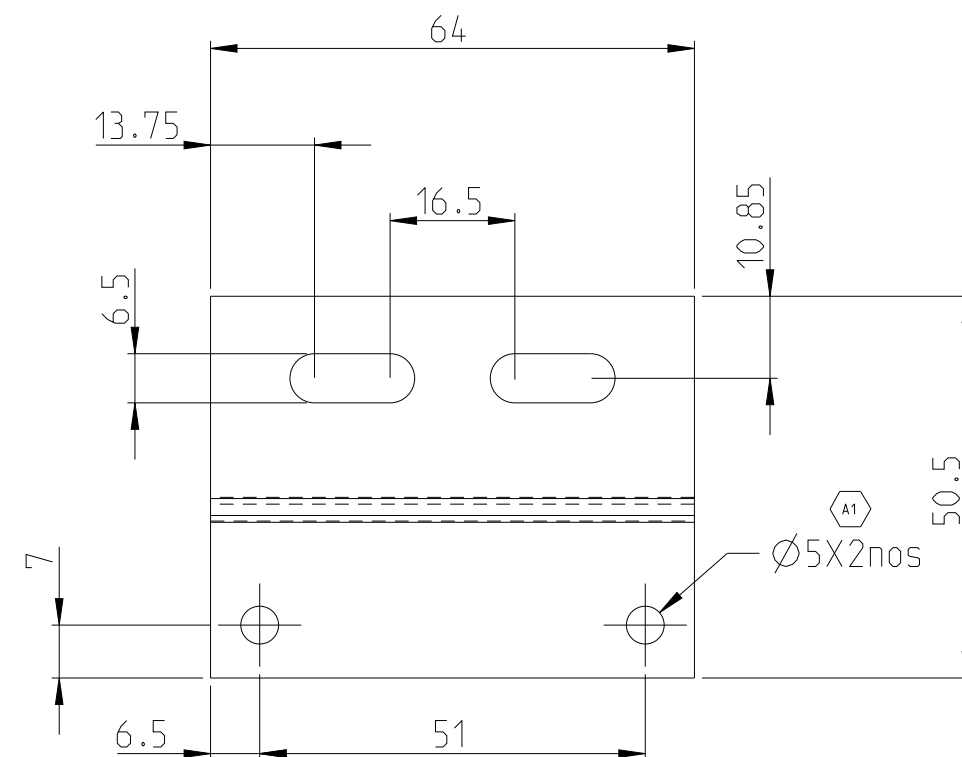
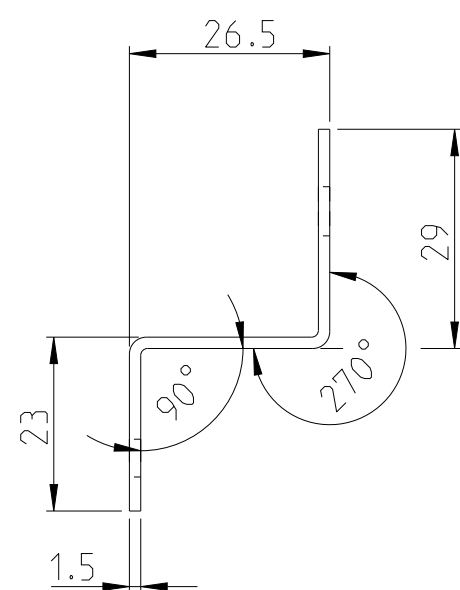
VERTICAL MOUNTING



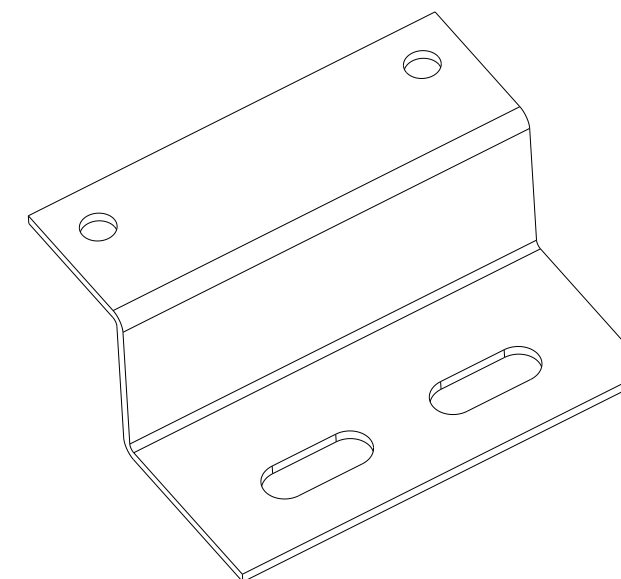
THIS DRAWING IS A CONTROLLED DOCUMENT.		DWN DHEERAJ M 22JUN2023	TE Connectivity		
DIMENSIONS: mm		CHK TRACY G 22JUN2023			
TOLERANCES UNLESS OTHERWISE SPECIFIED:		APVD ALLAN P 22JUN2023	NAME ALUMINIUM HOUSED RESISTORS TYPE CJB1700 SERIES		
0 PLC	±	PRODUCT SPEC	SIZE	CAGE CODE	DRAWING NO
1 PLC	±	APPLICATION SPEC	A2	00779	C-2176628
2 PLC	±	WEIGHT	RESTRICTED TO		
3 PLC	±	CUSTOMER DRAWING	SCALE 1:2 SHEET 1 OF 2 REV A1		
4 PLC	±				
ANGLES	±				
FINISH	-				

P	LTR	DESCRIPTION	DATE	DWN	APVD
-	-	SEE SHEET 1	-	-	-

MOUNTING FEET



1:1



TCPN	Catalogue Number	Part Description	Part Status
2176628-1	CJB1700J4R7J	CJB 1700W 5% 4R7 Lead	Production
2176628-2	CJB1700J6R8J	CJB 1700W 5% 6R8 Lead	Production
2176628-3	CJB1700J10RJ	CJB 1700W 5% 10R Lead	Production
2176628-4	CJB1700J15RJ	CJB 1700W 5% 15R Lead	Production
2176628-5	CJB1700J22RJ	CJB 1700W 5% 22R Lead	Production
2176628-6	CJB1700J33RJ	CJB 1700W 5% 33R Lead	Production
2176628-7	CJB1700J47RJ	CJB 1700W 5% 47R Lead	Production
2176628-8	CJB1700J68RJ	CJB 1700W 5% 68R Lead	Production
2176628-9	CJB1700J100RJ	CJB 1700W 5% 100R Lead	Production

THIS DRAWING IS A CONTROLLED DOCUMENT.		DWN DHEERAJ M 22 JUN 2023	TE Connectivity	
DIMENSIONS: mm		CHK TRACY G 22 JUN 2023		
TOLERANCES UNLESS OTHERWISE SPECIFIED:		APVD ALLAN P 22 JUN 2023	NAME ALUMINIUM HOUSED RESISTORS TYPE CJB1700 SERIES	
		PRODUCT SPEC	RESTRICTED TO	
MATERIAL		APPLICATION SPEC	SIZE A2	CAGE CODE 00779
FINISH		WEIGHT	DRAWING NO C-2176628	SCALE 1:2
-		CUSTOMER DRAWING	SHEET 2 OF 2	REV A1