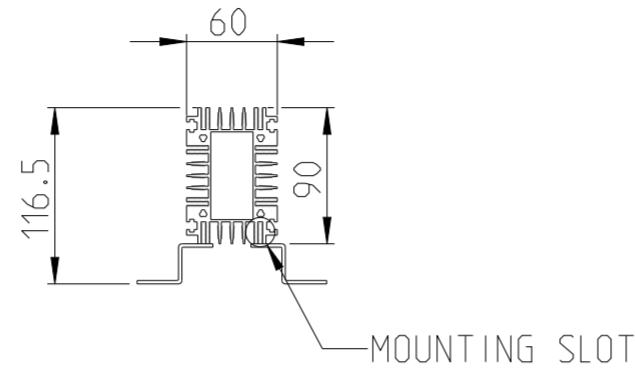
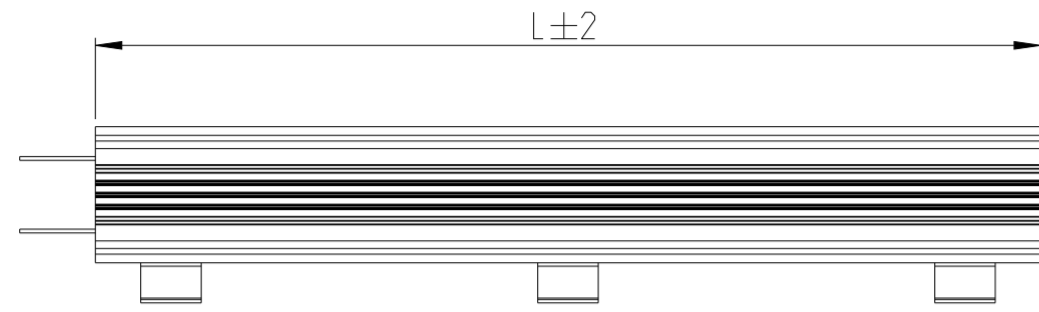


P	LTR	DESCRIPTION	DATE	DWN	APVD
A		INITIAL DRAWING RELEASE	22JUN2023	DM	AP
A1		CHANGE DIMENSION ON MOUNTING FEET	10AUG2023	DM	AP

VERTICAL MOUNTING

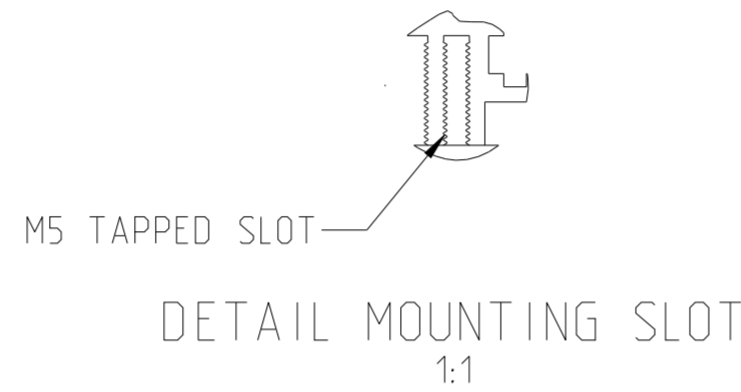
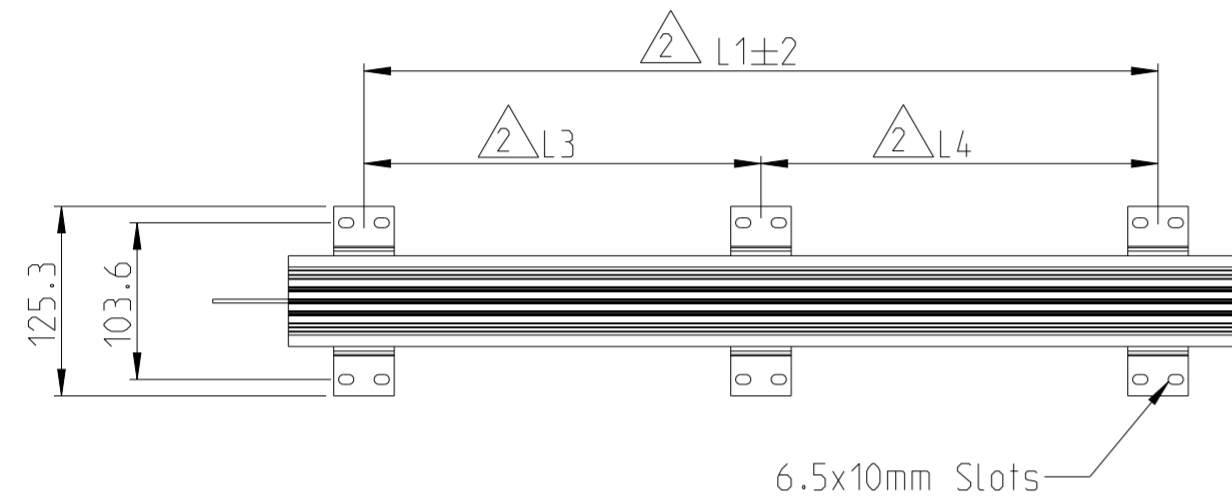


FOR FURTHER INFORMATION SEE DATA SHEET FOR ALUMINIUM HOUSED RESISORS TYPE CJB SERIES

NOTE:

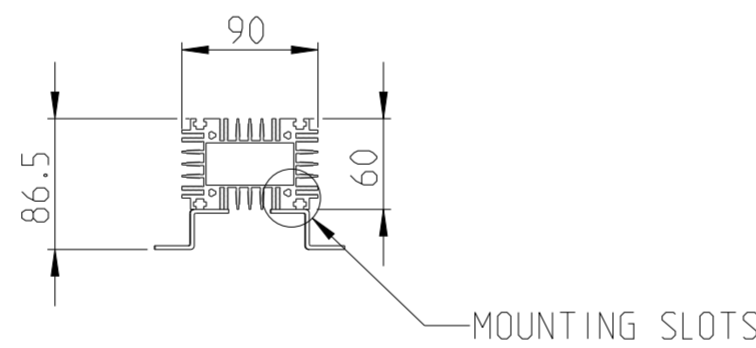
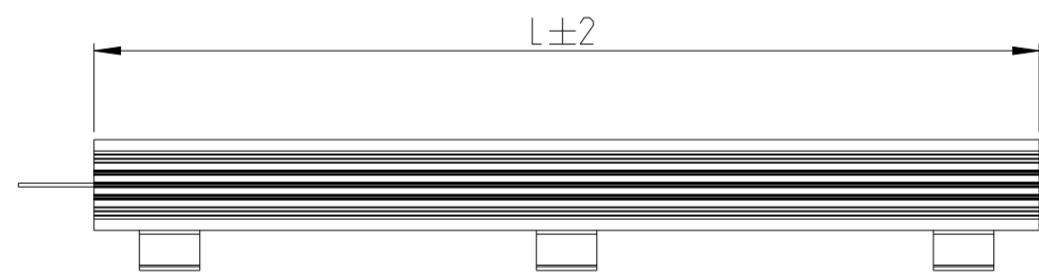
1 6X MOUNTING FEET, M5 SCREWS AND WASHERS ARE SUPPLIED IN A KIT FORM

2 THIS DIMENSION CAN BE ADJUSTED, SINCE THREADING IS AVAILABLE ALONG THE LENGTH OF THE RESISTOR

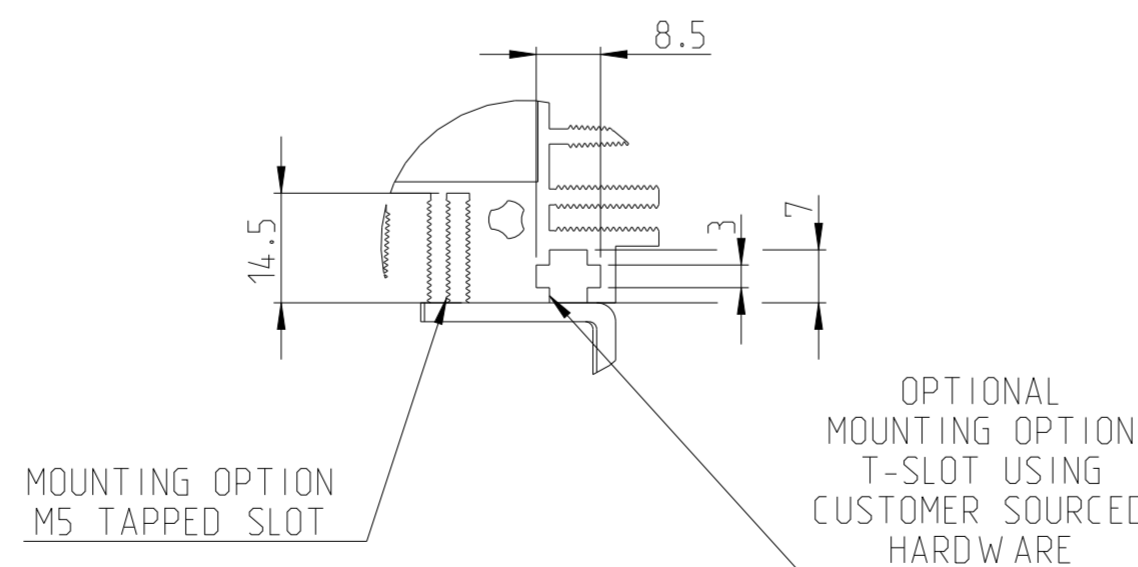
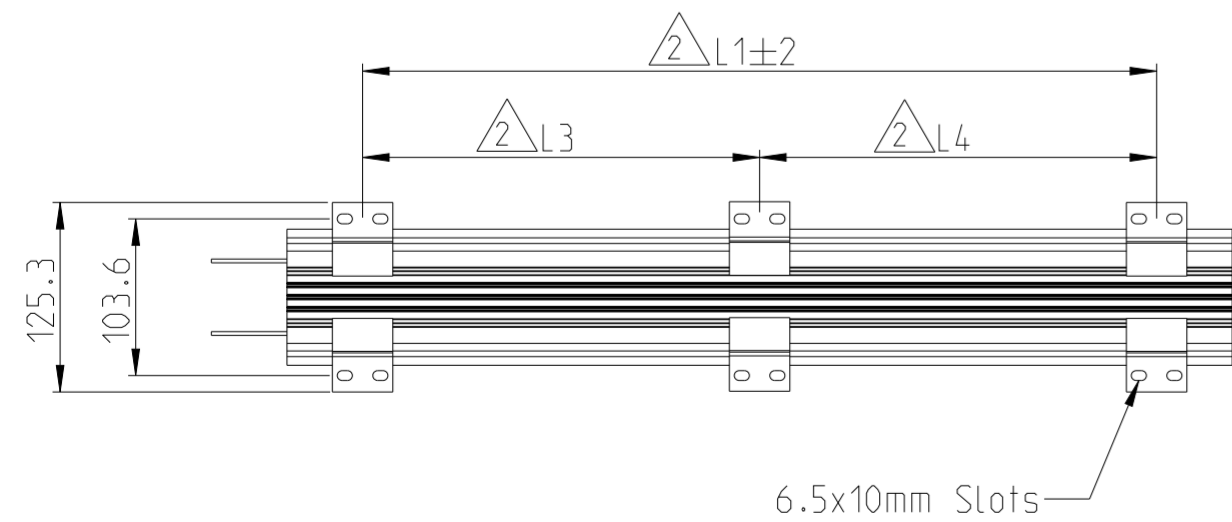
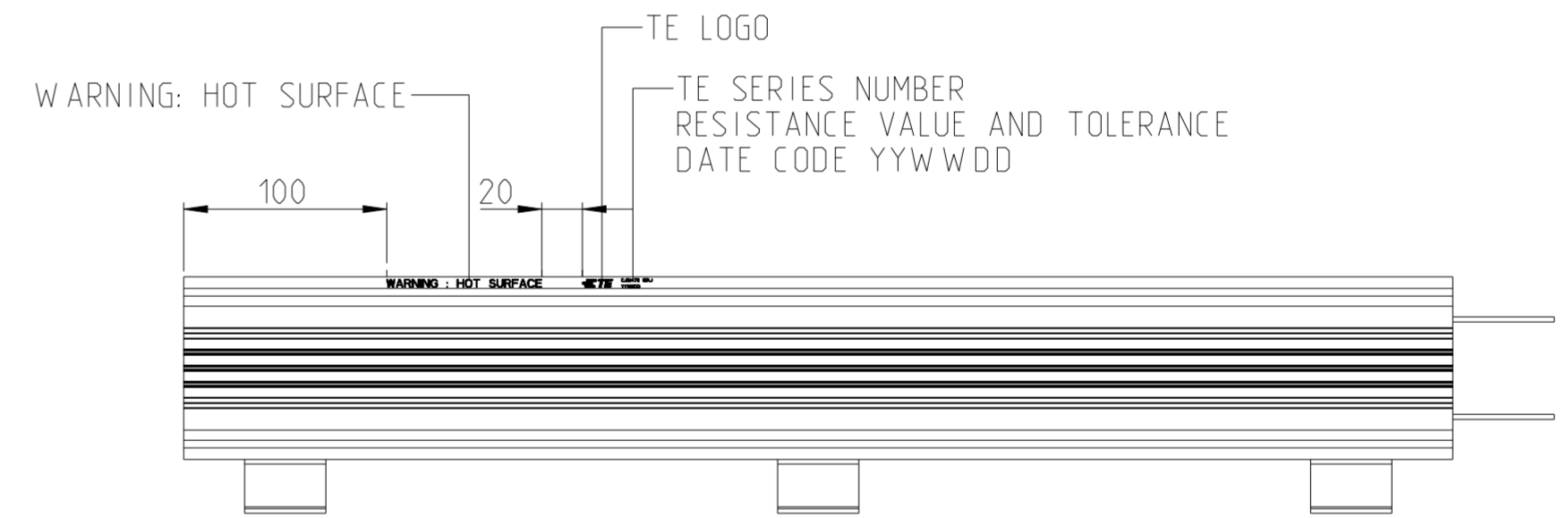


TYPE	POWER RATING (W)	L (mm)	L1 (mm)	L3 (mm)	L4 (mm)
CJB1475	1475	625	525	262.5	262.5

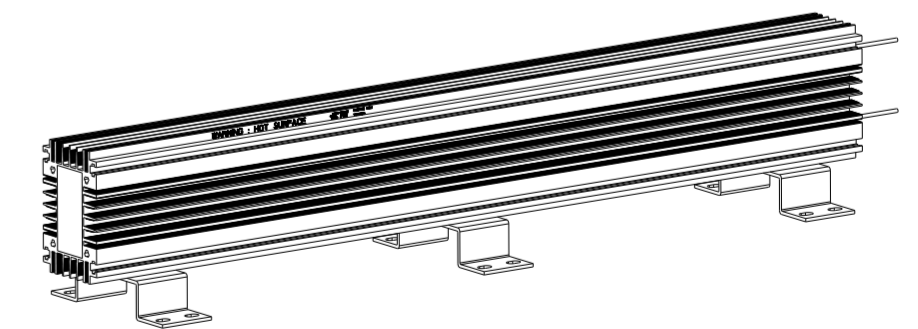
HORIZONTAL MOUNTING



VERTICAL MOUNTING



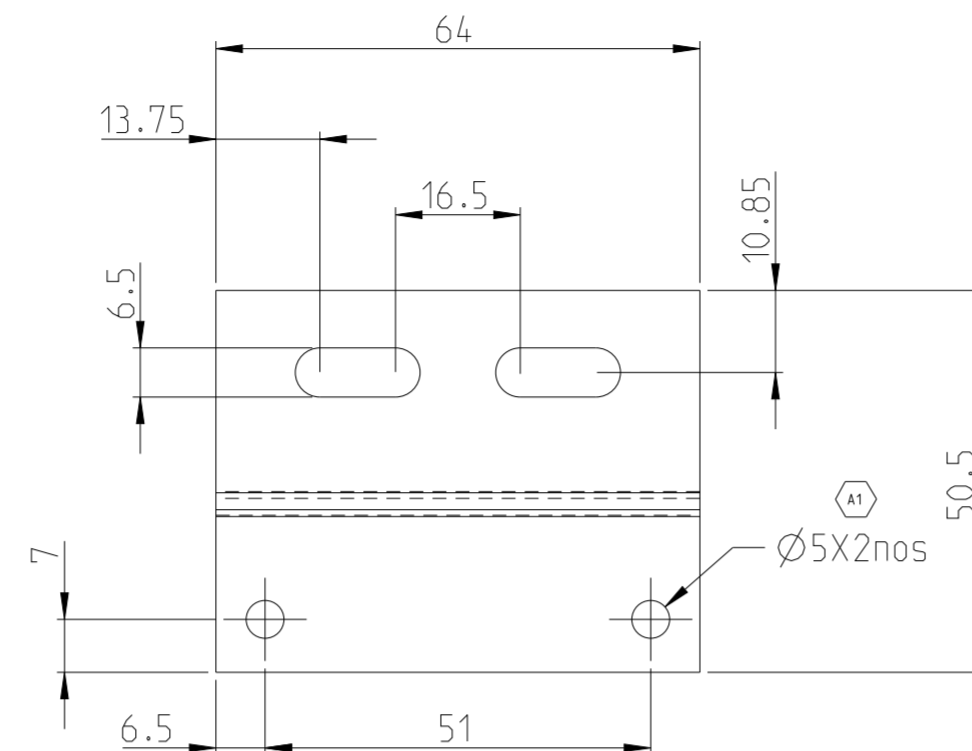
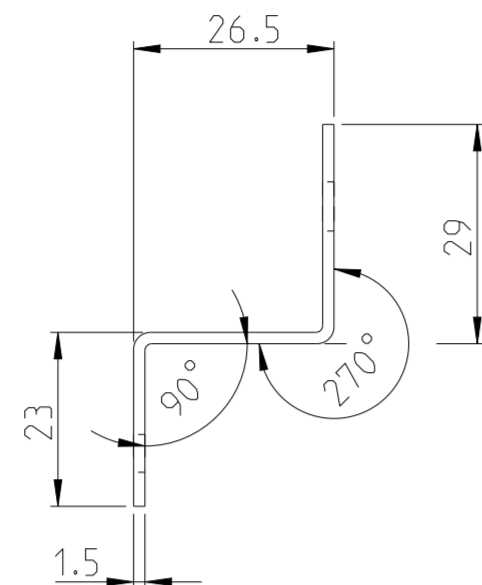
DETAIL MOUNTING SLOTS 1:1



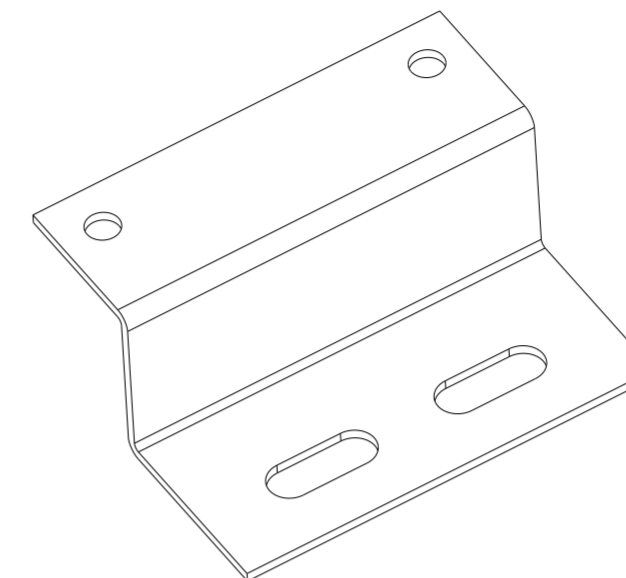
THIS DRAWING IS A CONTROLLED DOCUMENT.		DWN DHEERAJ M 22JUN2023	TE Connectivity		
DIMENSIONS: mm		CHK TRACY G 22JUN2023			
TOLERANCES UNLESS OTHERWISE SPECIFIED:		APVD ALLAN P 22JUN2023	NAME ALUMINIUM HOUSED RESISTORS TYPE CJB1475 SERIES		
0 PLC ±		PRODUCT SPEC -	SIZE A2	CAGE CODE 00779	DRAWING NO C-2176627
1 PLC ±		APPLICATION SPEC -	RESTRICTED TO -		
2 PLC ±		WEIGHT -	SCALE 1:2 SHEET 1 OF 2 REV A1		
3 PLC ±		CUSTOMER DRAWING			
4 PLC ±					
ANGLES ±					
FINISH -					

P	LTR	DESCRIPTION	DATE	DWN	APVD
-		SEE SHEET 1	-	-	-

MOUNTING FEET



1:1



TCPN	Catalogue Number	Part Description	Part Status
2176627-1	CJB1475J4R7J	CJB 1475W 5% 4R7 Lead	Production
2176627-2	CJB1475J6R8J	CJB 1475W 5% 6R8 Lead	Production
2176627-3	CJB1475J10RJ	CJB 1475W 5% 10R Lead	Production
2176627-4	CJB1475J15RJ	CJB 1475W 5% 15R Lead	Production
2176627-5	CJB1475J22RJ	CJB 1475W 5% 22R Lead	Production
2176627-6	CJB1475J33RJ	CJB 1475W 5% 33R Lead	Production
2176627-7	CJB1475J47RJ	CJB 1475W 5% 47R Lead	Production
2176627-8	CJB1475J68RJ	CJB 1475W 5% 68R Lead	Production
2176627-9	CJB1475J100RJ	CJB 1475W 5% 100R Lead	Production

THIS DRAWING IS A CONTROLLED DOCUMENT.		DWN DHEERAJ M 22 JUN 2023	TE Connectivity	
		CHK TRACY G 22 JUN 2023		
DIMENSIONS: mm		APVD ALLAN P 22 JUN 2023	NAME ALUMINIUM HOUSED RESISTORS TYPE CJB1475 SERIES	
		PRODUCT SPEC -	RESTRICTED TO -	
TOLERANCES UNLESS OTHERWISE SPECIFIED: 0 PLC ± 1 PLC ± 2 PLC ± 3 PLC ± 4 PLC ± ANGLES ± FINISH -		APPLICATION SPEC -	SIZE A2	CAGE CODE 00779
MATERIAL -		WEIGHT -	DRAWING NO C-2176627	SCALE 1:2
		CUSTOMER DRAWING	SHEET 2	OF 2
			REV A1	