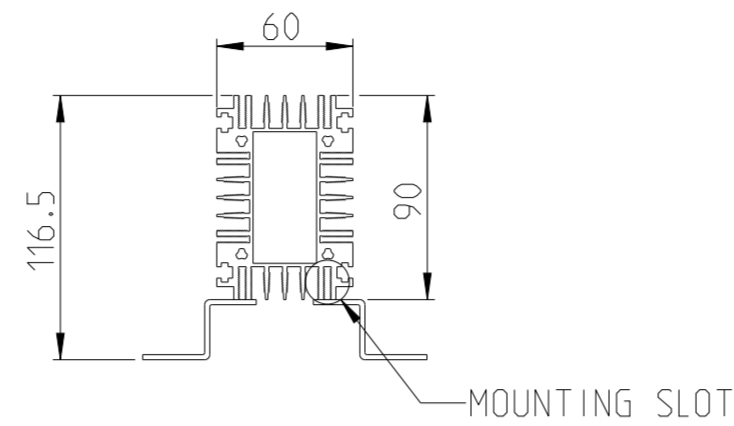
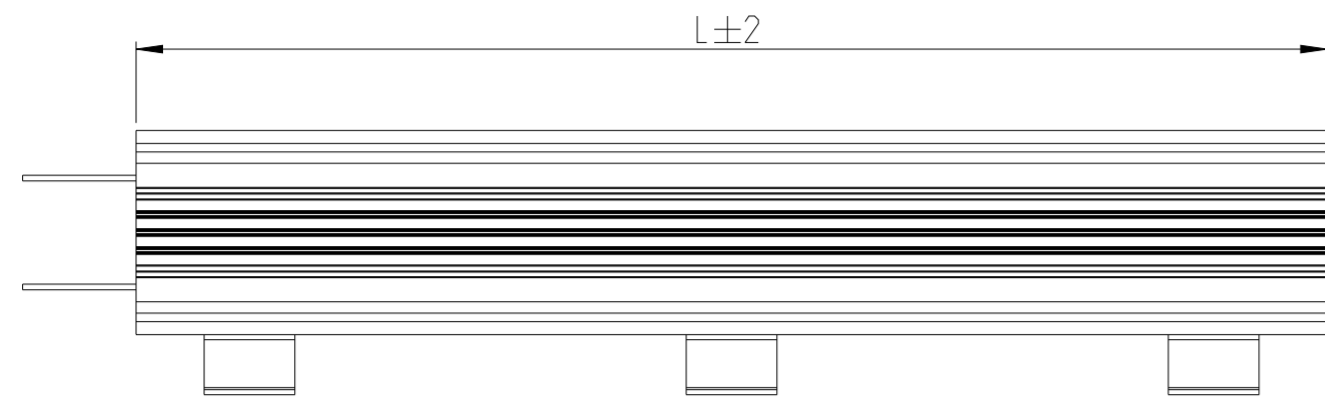


REVISIONS					
P	LTR	DESCRIPTION	DATE	DWN	APVD
	A	INITIAL DRAWING RELEASE	22JUN2023	DM	AP
	A1	CHANGE DIMENSION ON MOUNTING FEET	10AUG2023	DM	AP

VERTICAL MOUNTING

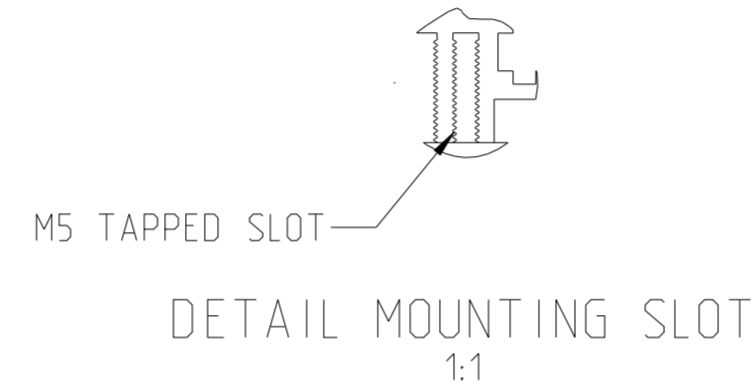
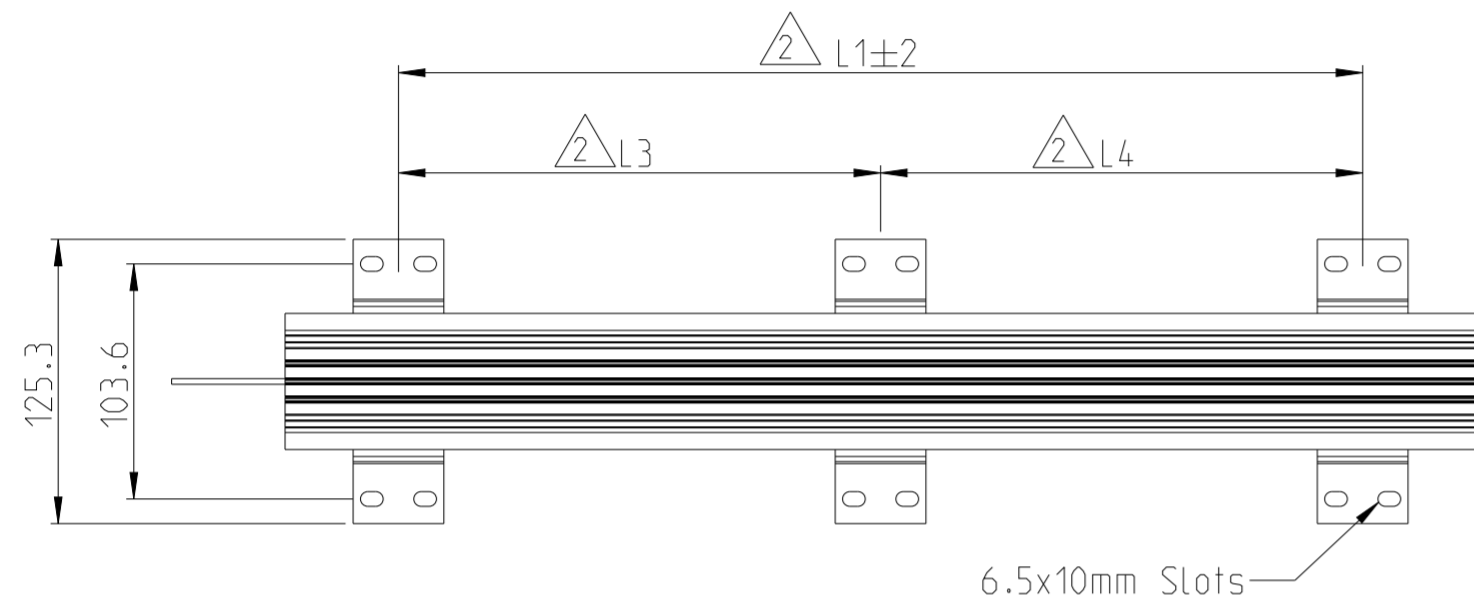


FOR FURTHER INFORMATION SEE DATA SHEET FOR ALUMINIUM HOUSED RESISORS TYPE CJB SERIES

NOTE:

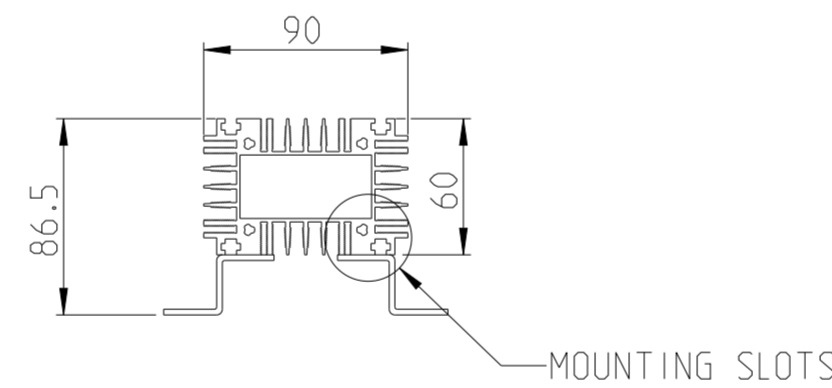
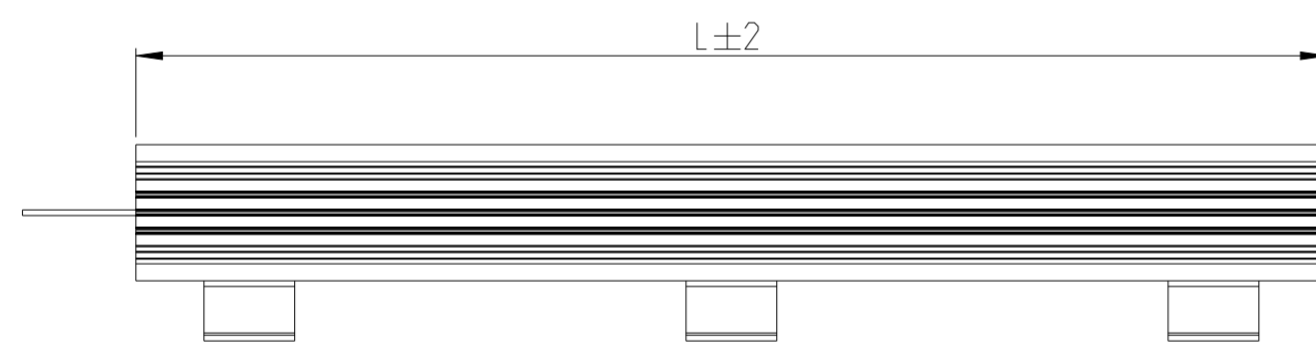
1 6X MOUNTING FEET. M5 SCREWS AND WASHERS ARE SUPPLIED IN A KIT FORM

△ THIS DIMENSION CAN BE ADJUSTED, SINCE THREADING IS AVAILABLE ALONG THE LENGTH OF THE RESISTOR

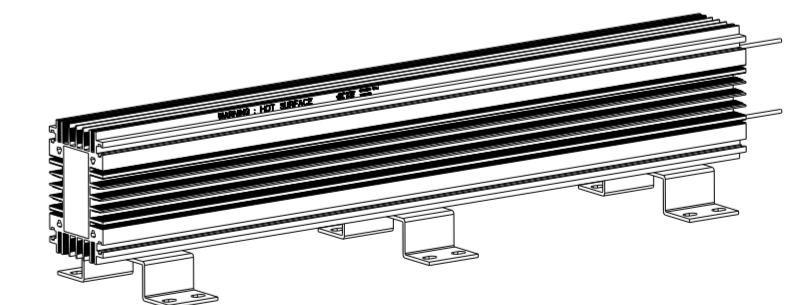
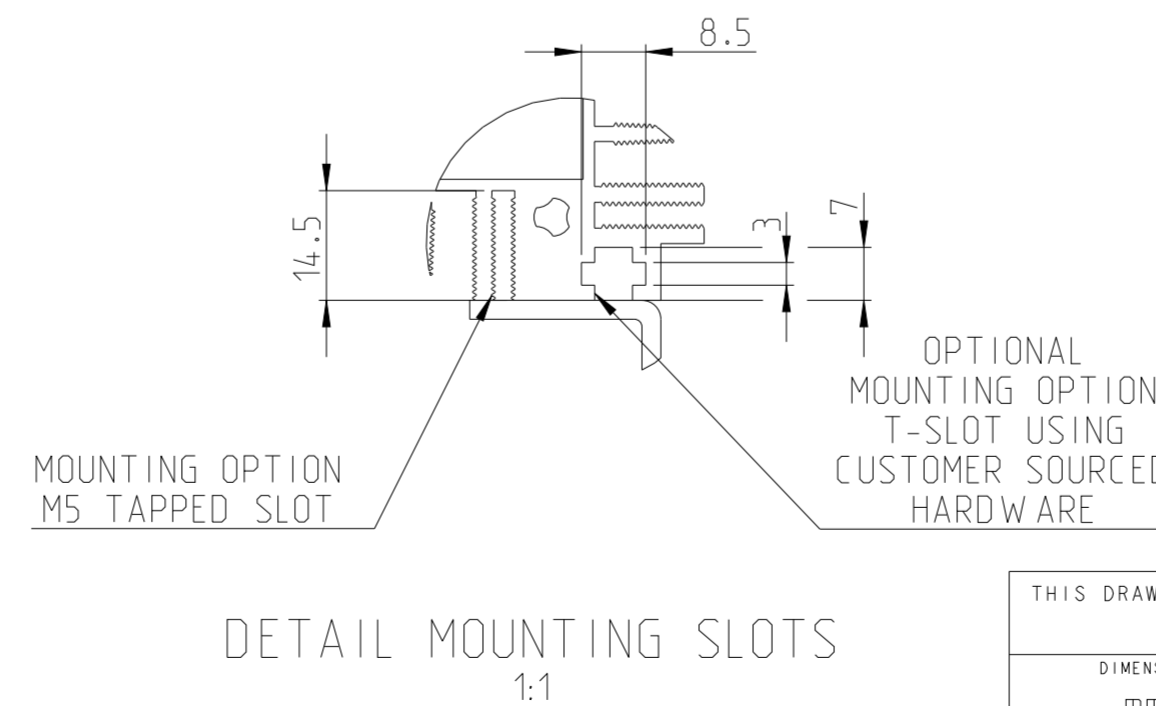
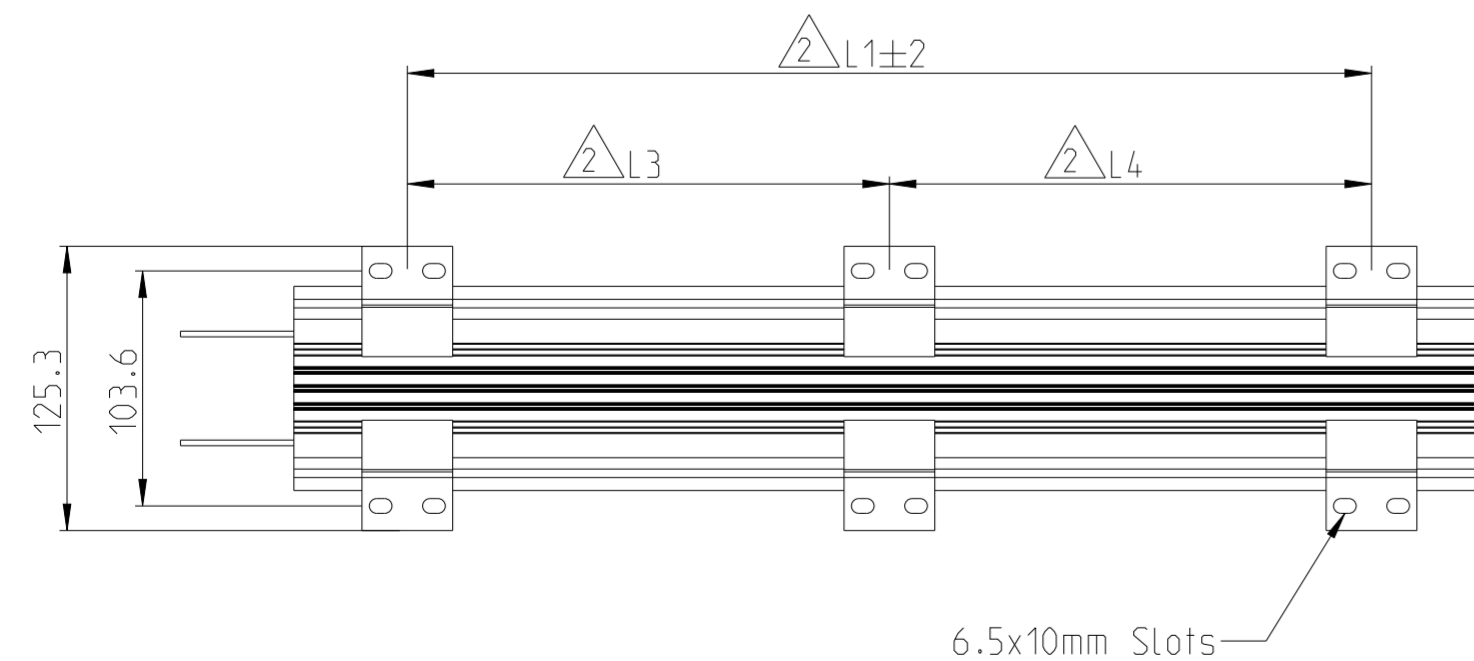
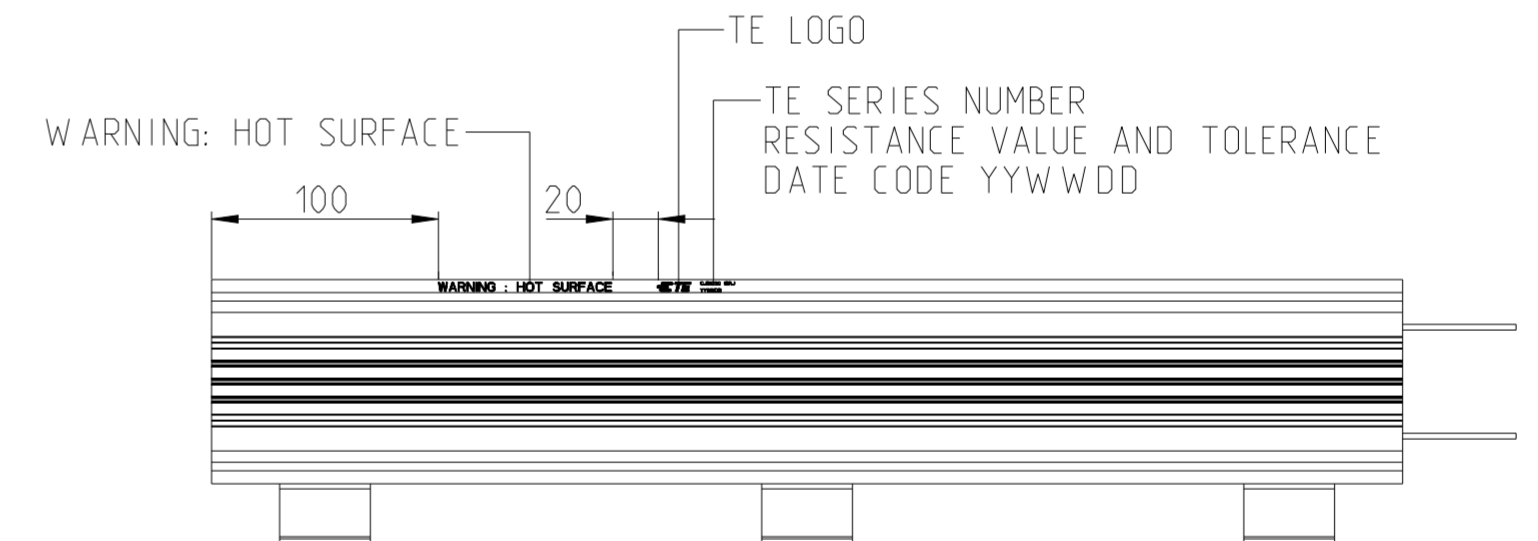


TYPE	POWER RATING (W)	L (mm)	L1 (mm)	L3 (mm)	L4 (mm)
CJB1230	1230	525	425	212.5	212.5

HORIZONTAL MOUNTING



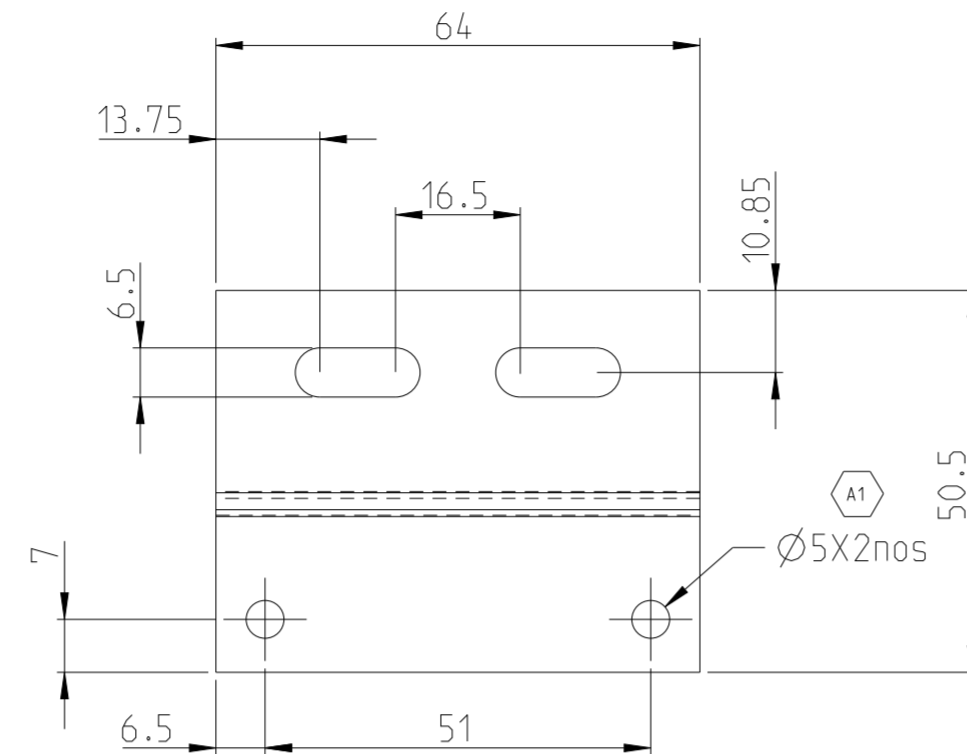
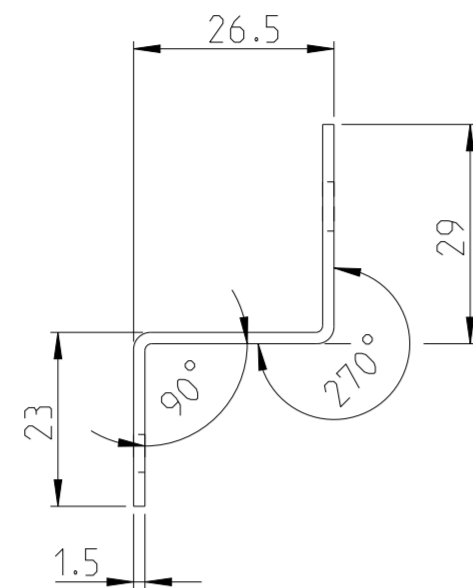
VERTICAL MOUNTING



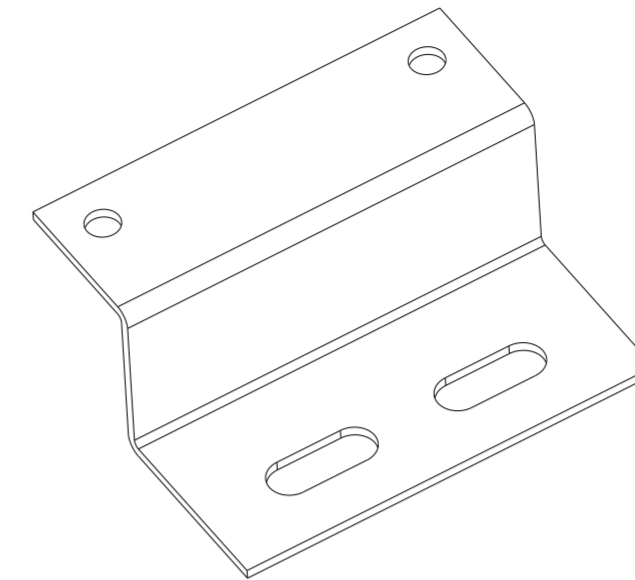
THIS DRAWING IS A CONTROLLED DOCUMENT.		DWN DHEERAJ M 22JUN2023			
		CHK TRACY G 22JUN2023			
DIMENSIONS: mm		APVD ALLAN P 22JUN2023	NAME ALUMINIUM HOUSED RESISTORS TYPE CJB1230 SERIES		
TOLERANCES UNLESS OTHERWISE SPECIFIED:		PRODUCT SPEC	SIZE A2	CAGE CODE 00779	DRAWING NO C-2176626
0 PLC ±		APPLICATION SPEC	RESTRICTED TO		
1 PLC ±		WEIGHT	1 OF 2		
2 PLC ±		CUSTOMER DRAWING	SCALE 1:2	REV A1	
3 PLC ±					
4 PLC ±					
ANGLES ±					
FINISH					

P	LTR	DESCRIPTION	DATE	DWN	APVD
-	-	SEE SHEET 1	-	-	-

MOUNTING FEET



1:1



TCPN	Catalogue Number	Part Description	Part Status
2176626-1	CJB1230J4R7J	CJB 1230W 5% 4R7 Lead	Production
2176626-2	CJB1230J6R8J	CJB 1230W 5% 6R8 Lead	Production
2176626-3	CJB1230J10RJ	CJB 1230W 5% 10R Lead	Production
2176626-4	CJB1230J15RJ	CJB 1230W 5% 15R Lead	Production
2176626-5	CJB1230J22RJ	CJB 1230W 5% 22R Lead	Production
2176626-6	CJB1230J33RJ	CJB 1230W 5% 33R Lead	Production
2176626-7	CJB1230J47RJ	CJB 1230W 5% 47R Lead	Production
2176626-8	CJB1230J68RJ	CJB 1230W 5% 68R Lead	Production
2176626-9	CJB1230J100RJ	CJB 1230W 5% 100R Lead	Production

THIS DRAWING IS A CONTROLLED DOCUMENT.		DWN DHEERAJ M 22 JUN 2023	TE Connectivity	
DIMENSIONS: mm		CHK TRACY G 22 JUN 2023		
	TOLERANCES UNLESS OTHERWISE SPECIFIED:	APVD ALLAN P 22 JUN 2023	NAME ALUMINIUM HOUSED RESISTORS TYPE CJB1230 SERIES	
	0 PLC ± 1 PLC ± 2 PLC ± 3 PLC ± 4 PLC ± ANGLES ±	FINISH	PRODUCT SPEC -	RESTRICTED TO -
MATERIAL -		WEIGHT -	SIZE A2	CAGE CODE 00779
		CUSTOMER DRAWING	DRAWING NO C-2176626	SCALE 1:2
			SHEET 2 OF 2	REV A1