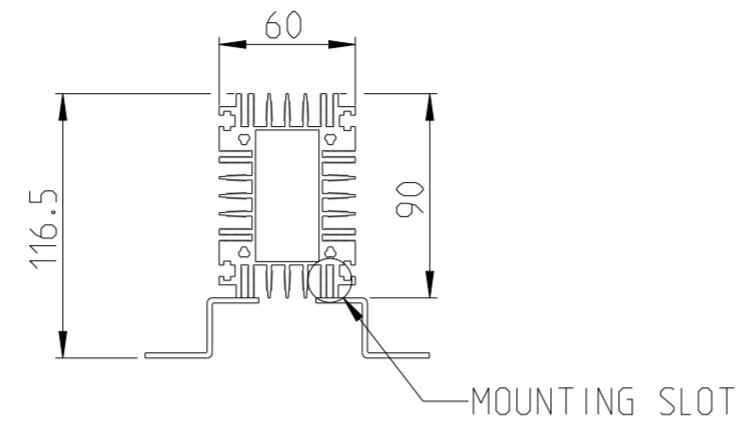
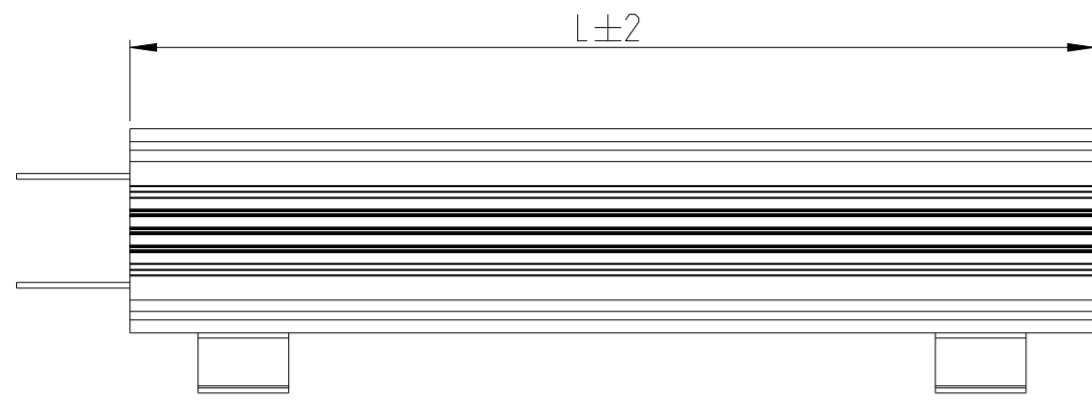


P	LTR	DESCRIPTION	DATE	DWN	APVD
A		INITIAL DRAWING RELEASE	22JUN2023	DM	AP
A1		CHANGE DIMENSION ON MOUNTING FEET	10AUG2023	DM	AP

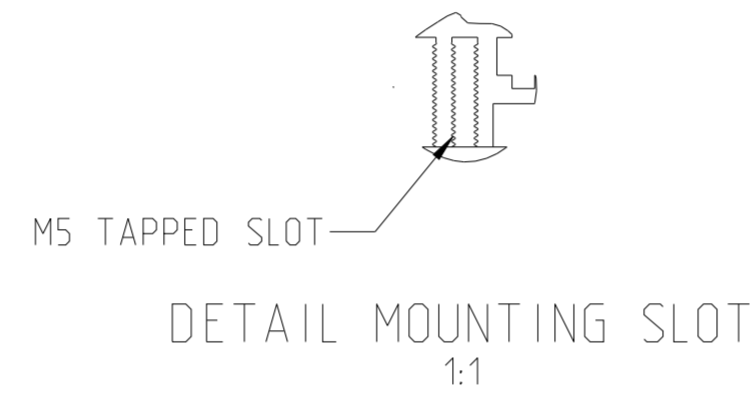
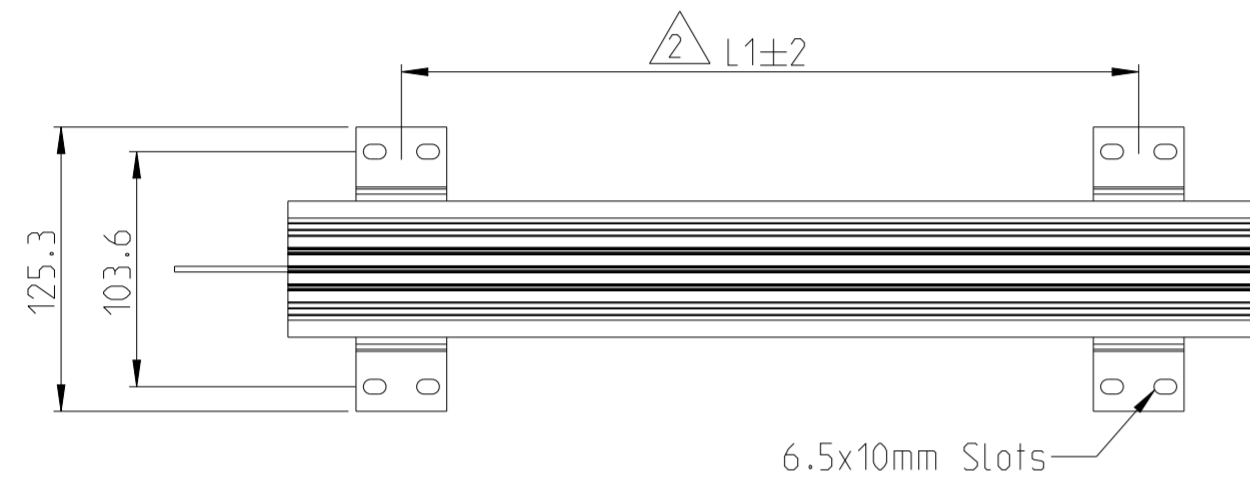
VERTICAL MOUNTING



FOR FURTHER INFORMATION SEE DATA SHEET FOR ALUMINIUM HOUSED RESISTORS TYPE CJB SERIES

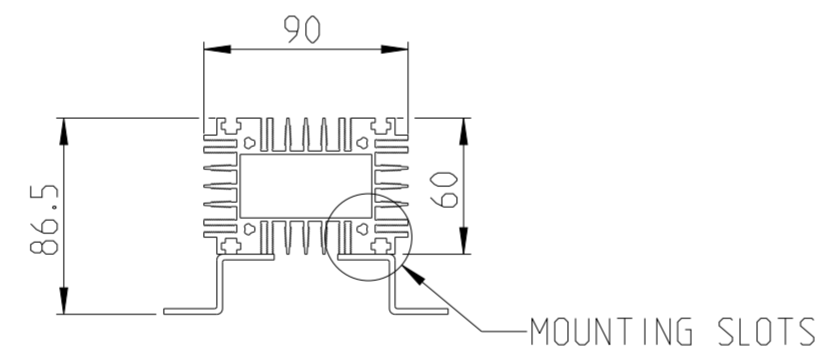
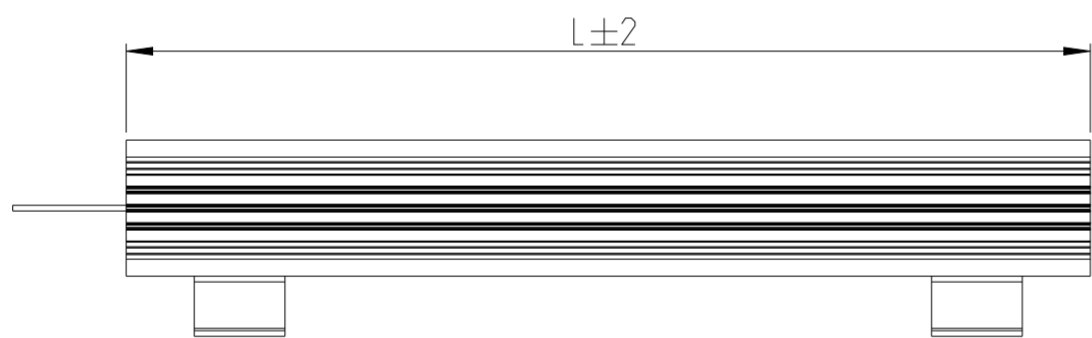
NOTE:

- 1 4X MOUNTING FEET. M5 SCREWS AND WASHERS ARE SUPPLIED IN A KIT FORM
- 2 THIS DIMENSION CAN BE ADJUSTED, SINCE THREADING IS AVAILABLE ALONG THE LENGTH OF THE RESISTOR

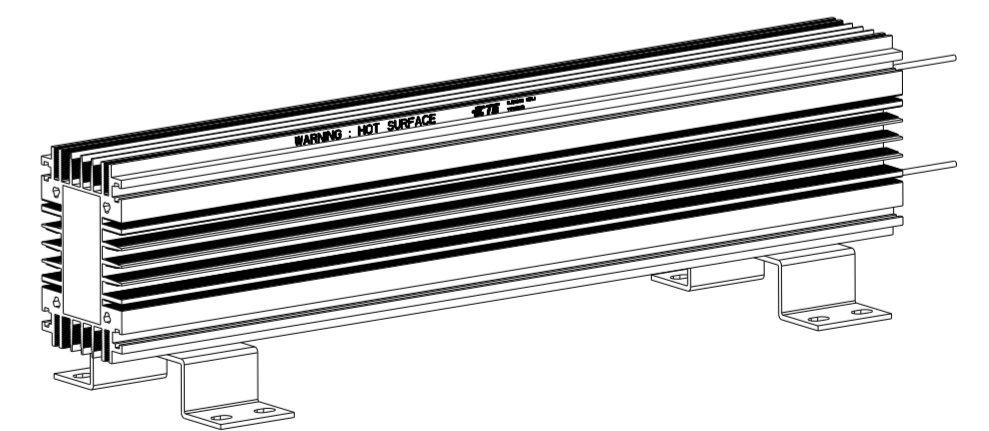
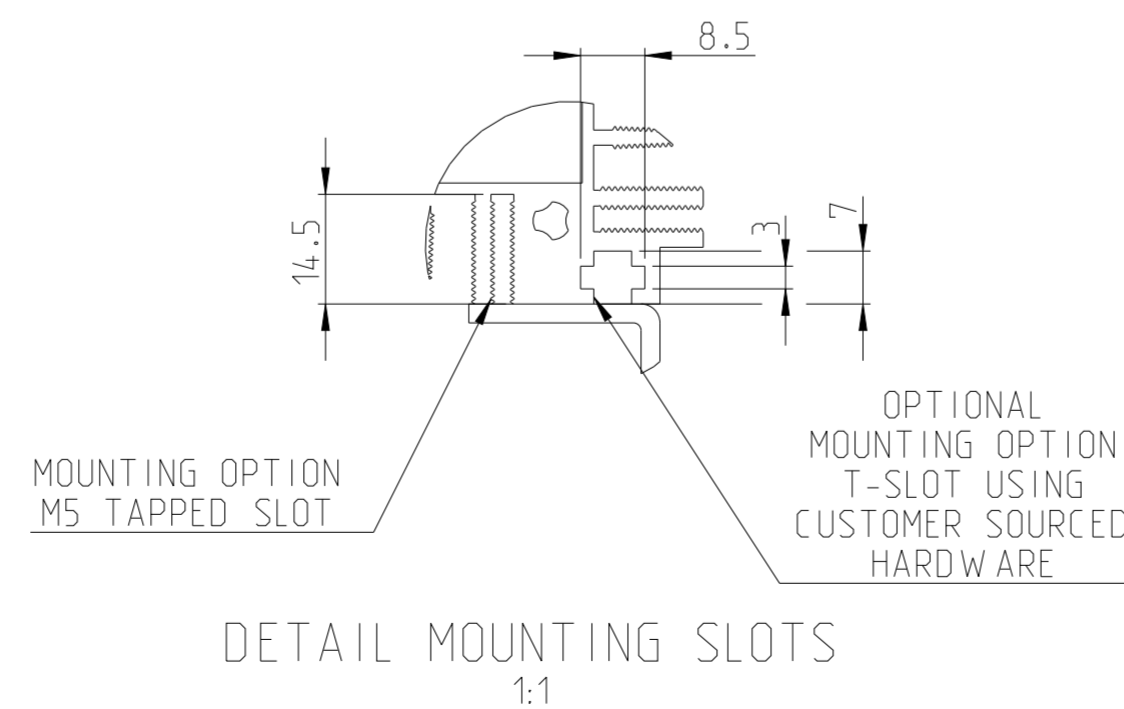
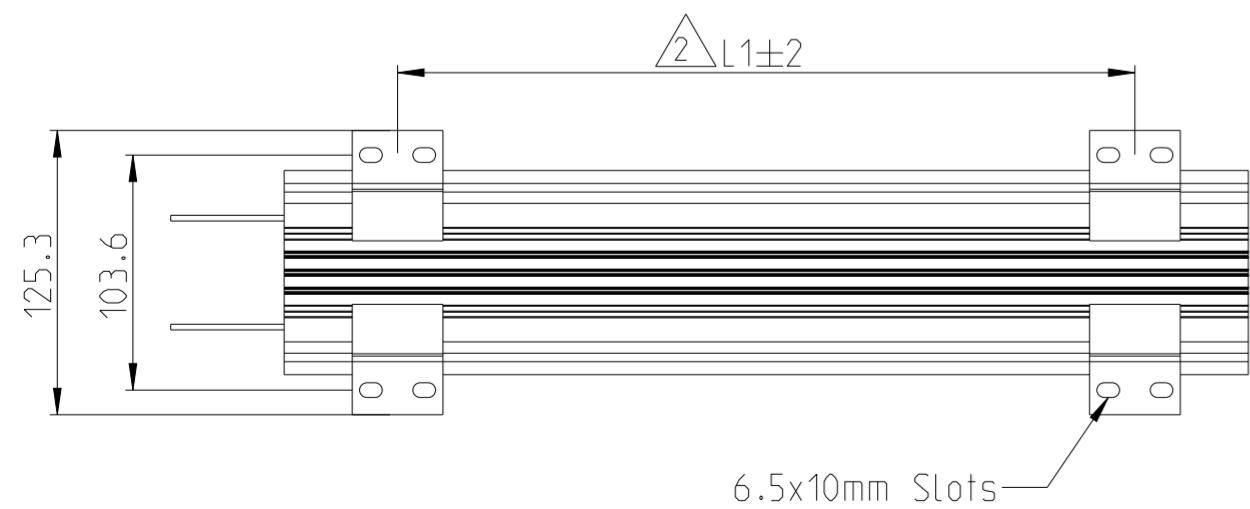
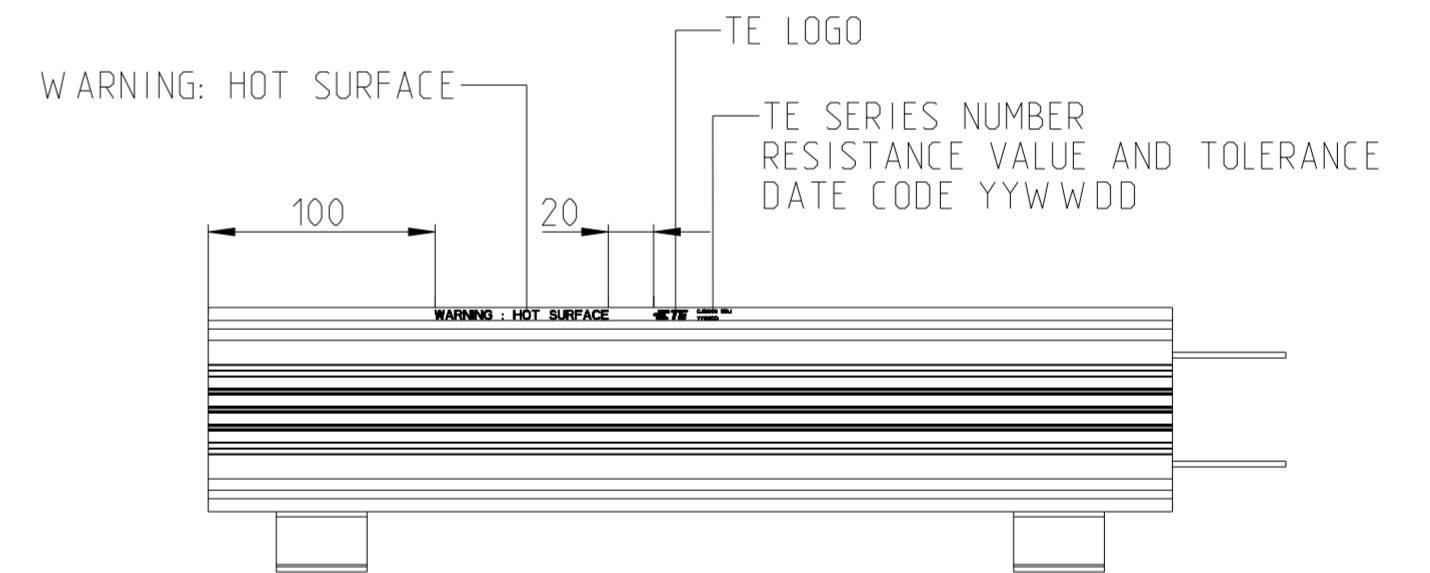


TYPE	POWER RATING (W)	L (mm)	L1 (mm)
CJB1000	1000	425	325

HORIZONTAL MOUNTING



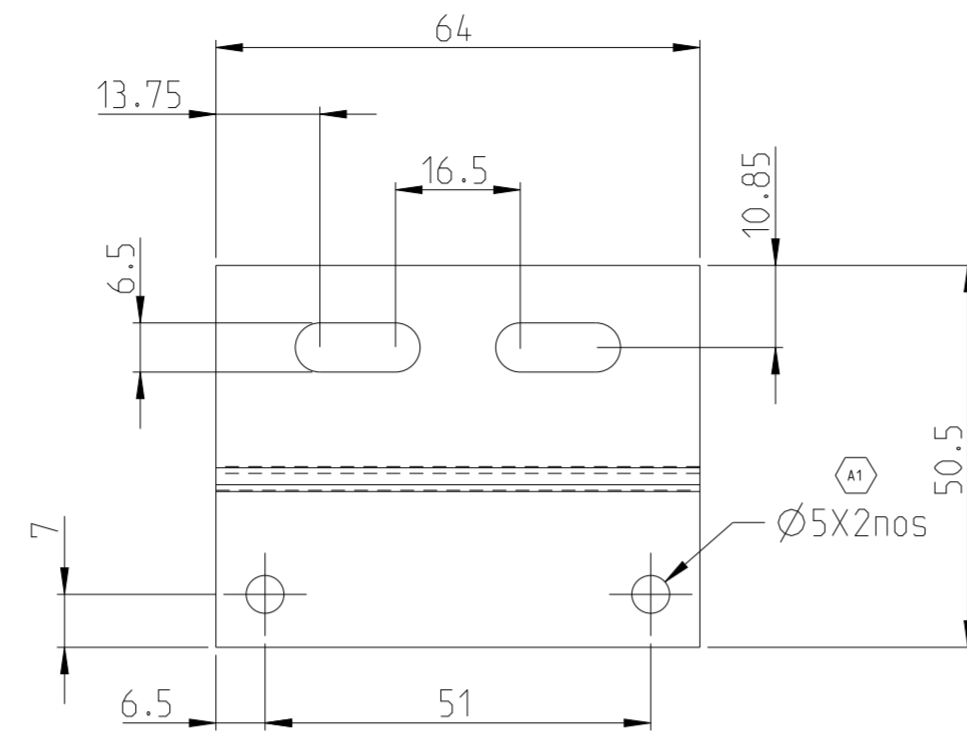
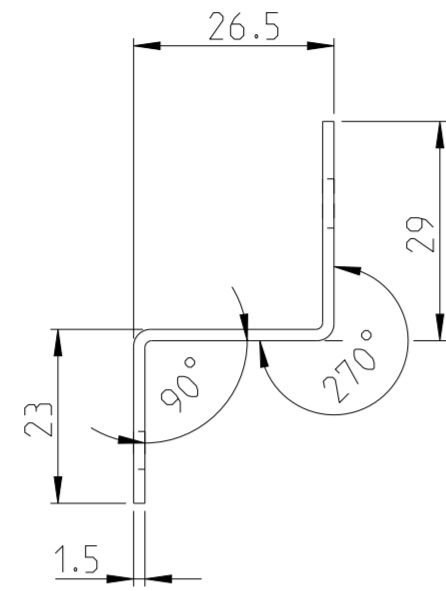
VERTICAL MOUNTING



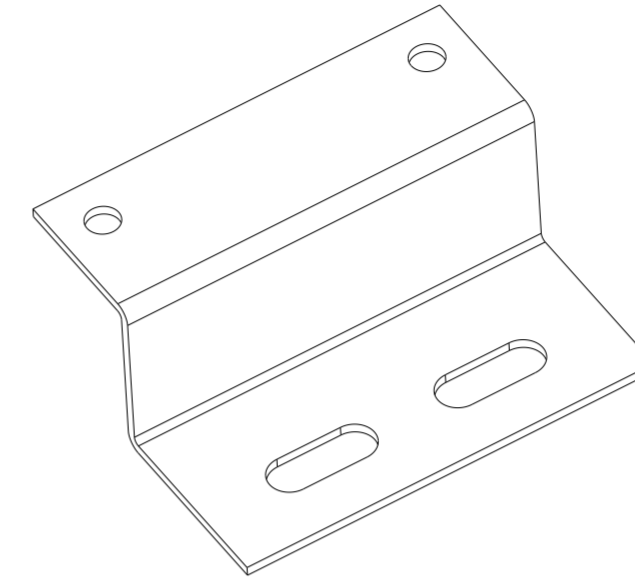
THIS DRAWING IS A CONTROLLED DOCUMENT.		DWN: DHEERAJ M 22JUN2023				
		CHK: TRACY G 22JUN2023				
DIMENSIONS: mm		APVD: ALLAN P 22JUN2023	NAME: ALUMINIUM HOUSED RESISTORS TYPE CJB1000 SERIES			
TOLERANCES UNLESS OTHERWISE SPECIFIED:		PRODUCT SPEC	SIZE: A2	CAGE CODE: 00779	DRAWING NO: C-2176625	RESTRICTED TO: -
0 PLC ±		APPLICATION SPEC	SCALE: 1:2		SHEET: 1 OF 2	REV: A1
1 PLC ±		WEIGHT: -	CUSTOMER DRAWING			
2 PLC ±						
3 PLC ±						
4 PLC ±						
ANGLES ±						
FINISH -						

P	LTR	DESCRIPTION	DATE	DWN	APVD
-	-	SEE SHEET 1	-	-	-

MOUNTING FEET



1:1



TCPN	Catalogue Number	Part Description	Part Status
2176625-1	CJB10004R7J	CJB 1000W 5% 4R7 Lead	Production
2176625-2	CJB1000J6R8J	CJB 1000W 5% 6R8 Lead	Production
2176625-3	CJB1000J10RJ	CJB 1000W 5% 10R Lead	Production
2176625-4	CJB1000J15RJ	CJB 1000W 5% 15R Lead	Production
2176625-5	CJB1000J22RJ	CJB 1000W 5% 22R Lead	Production
2176625-6	CJB1000J33RJ	CJB 1000W 5% 33R Lead	Production
2176625-7	CJB1000J47RJ	CJB 1000W 5% 47R Lead	Production
2176625-8	CJB1000J68RJ	CJB 1000W 5% 68R Lead	Production
2176625-9	CJB1000J100RJ	CJB 1000W 5% 100R Lead	Production

THIS DRAWING IS A CONTROLLED DOCUMENT.		DWN DHEERAJ M 22 JUN 2023	TE Connectivity	
		CHK TRACY G 22 JUN 2023		
DIMENSIONS: mm		APVD ALLAN P 22 JUN 2023	NAME ALUMINIUM HOUSED RESISTORS TYPE CJB1000 SERIES	
		PRODUCT SPEC -	RESTRICTED TO -	
TOLERANCES UNLESS OTHERWISE SPECIFIED: 0 PLC ± 1 PLC ± 2 PLC ± 3 PLC ± 4 PLC ± ANGLES ± FINISH -		APPLICATION SPEC -	SIZE A2	CAGE CODE 00779
MATERIAL -		WEIGHT -	DRAWING NO C-2176625	SCALE 1:2
		CUSTOMER DRAWING	SHEET 2 OF 2	REV A1