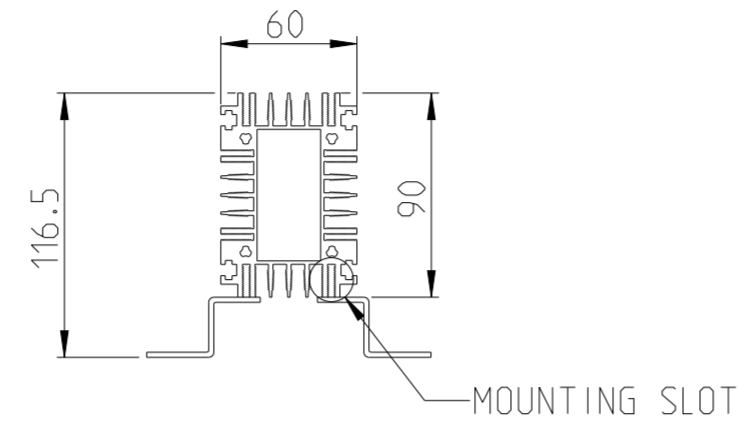
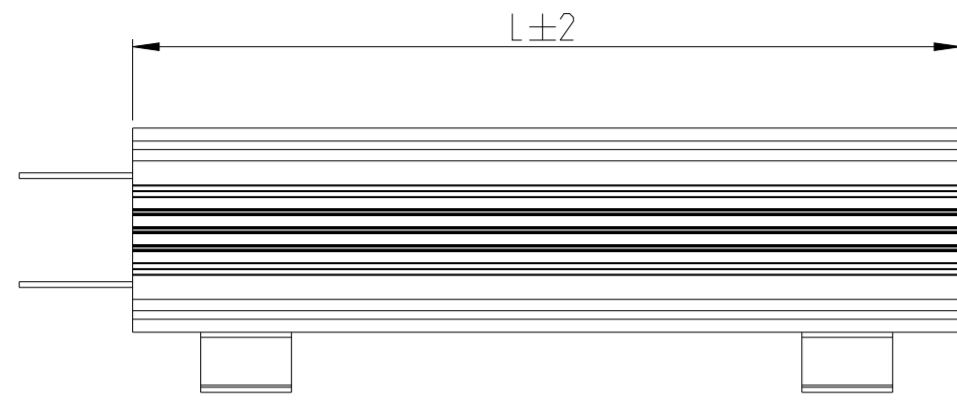


P	LTR	DESCRIPTION	DATE	DWN	APVD
A		INITIAL DRAWING RELEASE	22JUN2023	DM	AP
A1		CHANGE DIMENSION ON MOUNTING FEET	10AUG2023	DM	AP

VERTICAL MOUNTING



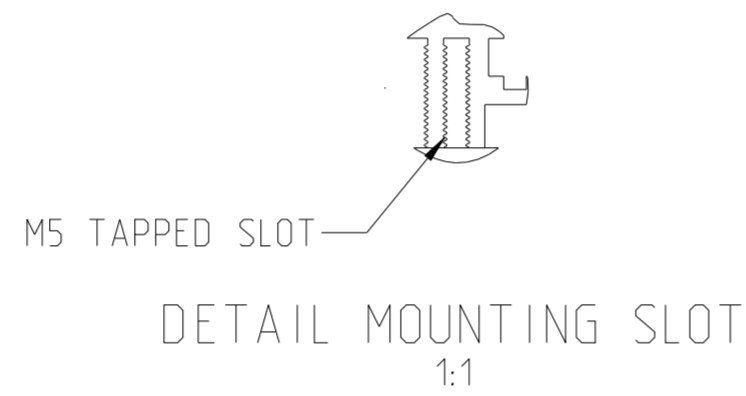
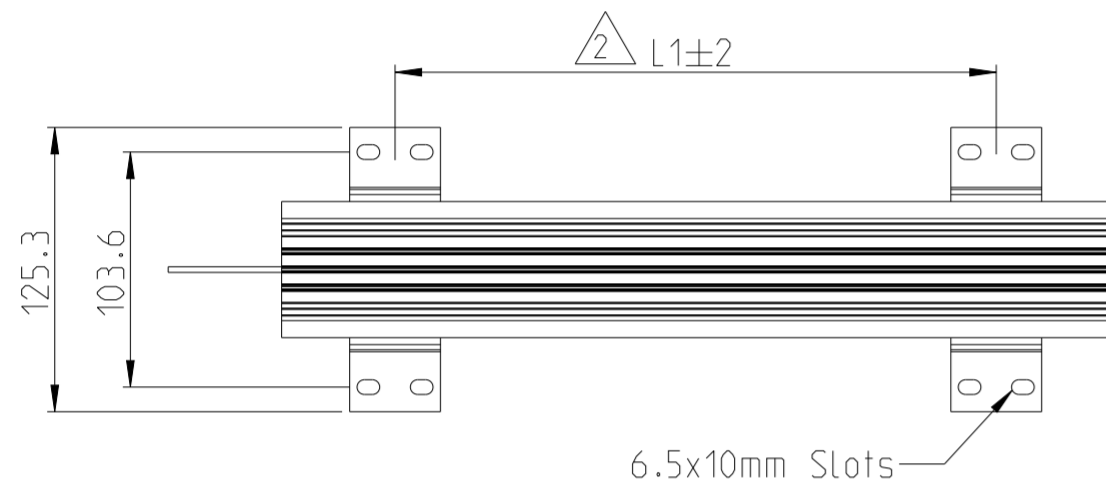
FOR FURTHER INFORMATION SEE DATA SHEET FOR ALUMINIUM HOUSED RESISORS TYPE CJB SERIES

NOTE:

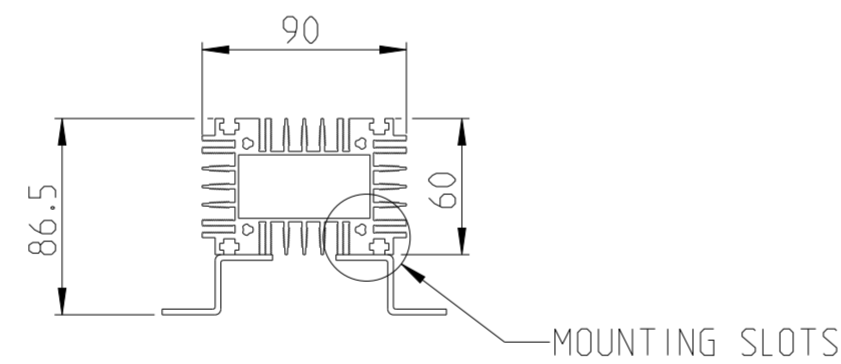
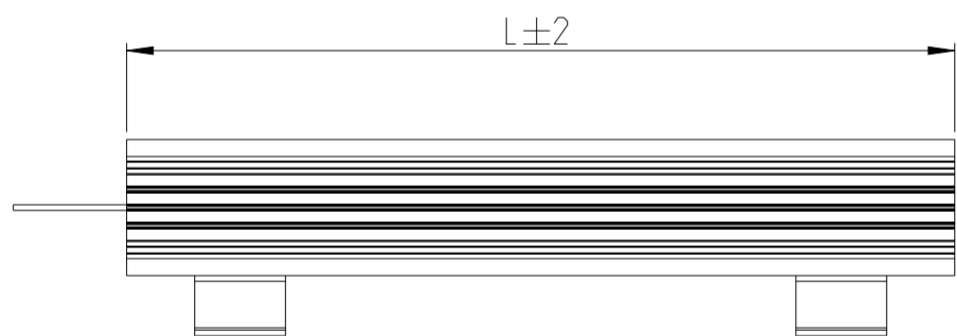
1 4X MOUNTING FEET. M5 SCREWS AND WASHERS ARE SUPPLIED IN A KIT FORM

2 THIS DIMENSION CAN BE ADJUSTED, SINCE THREADING IS AVAILABLE ALONG THE LENGTH OF THE RESISTOR

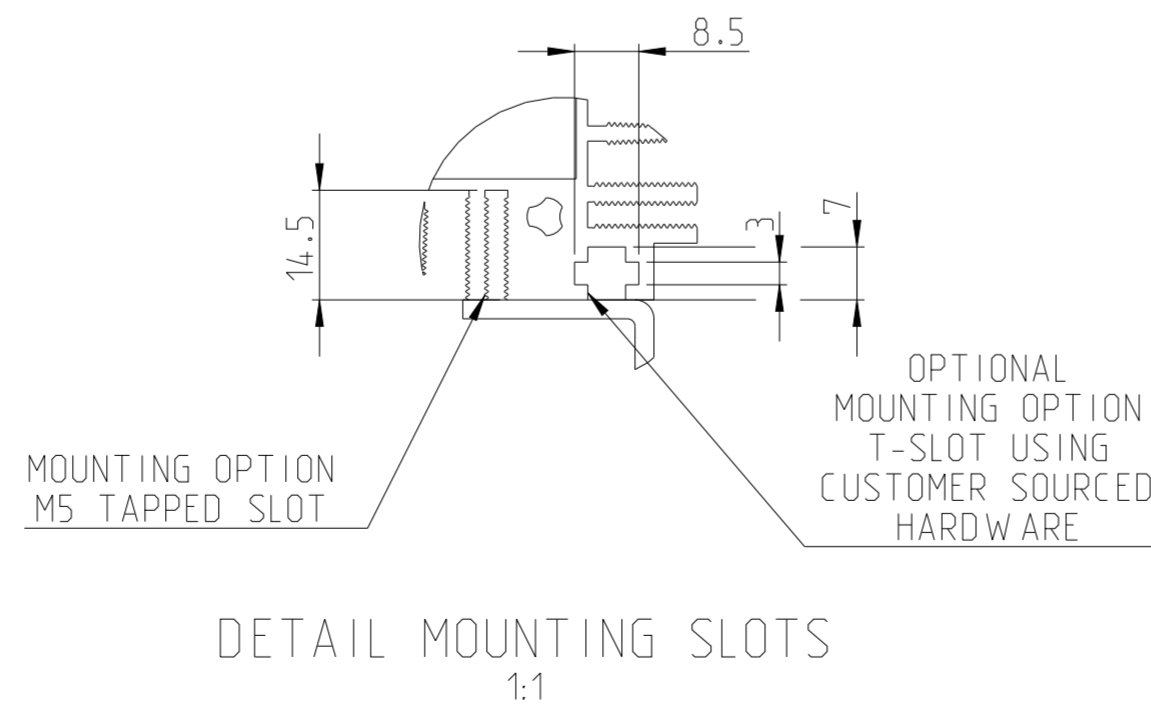
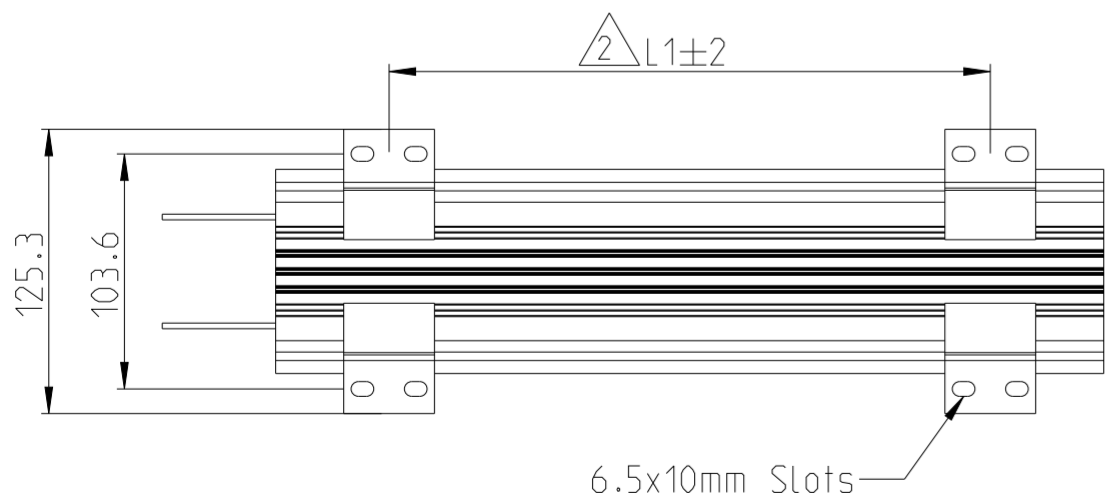
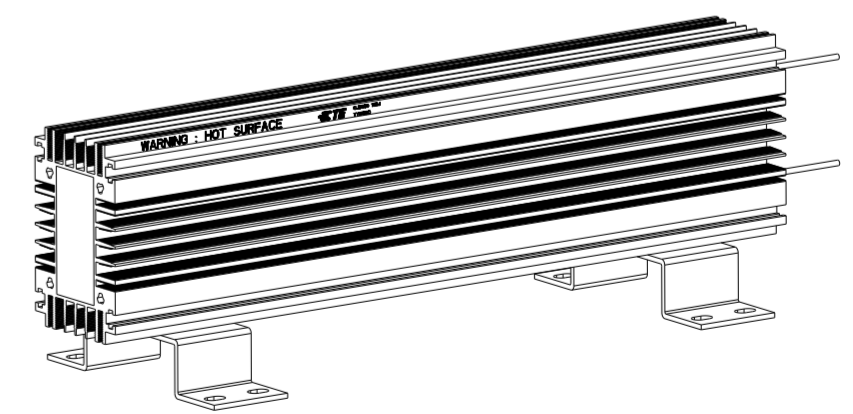
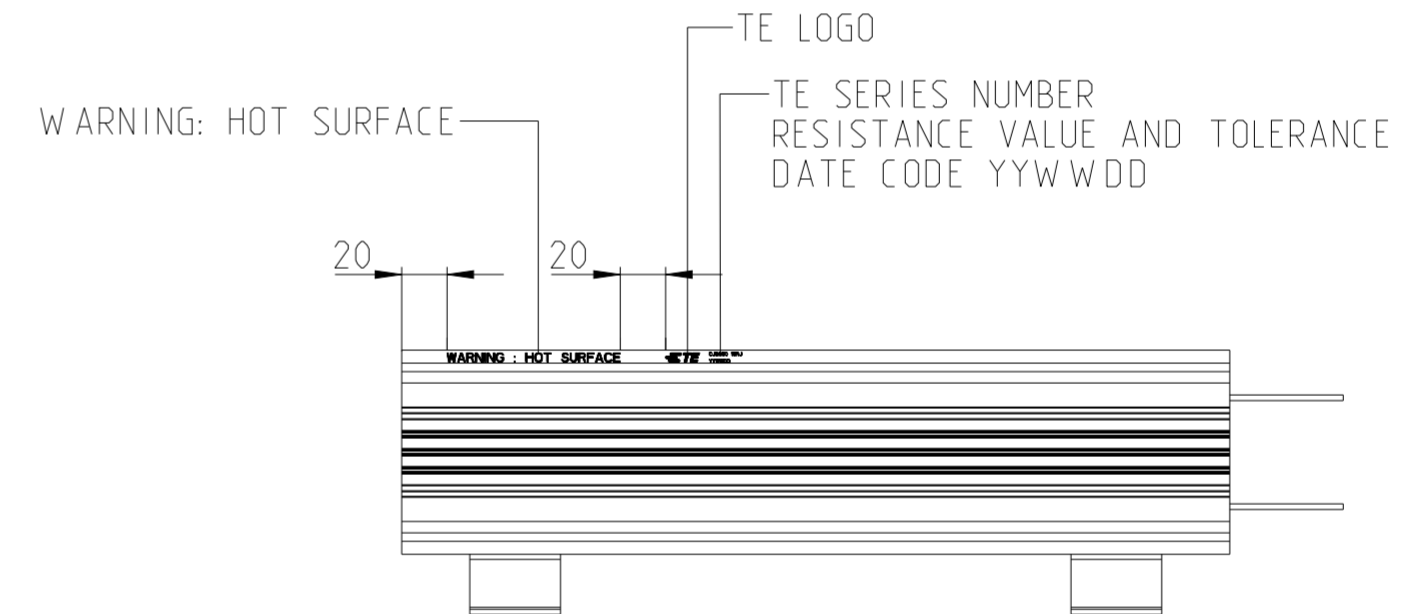
TYPE	POWER RATING (W)	L (mm)	L1 (mm)
CJB650	650	365	265



HORIZONTAL MOUNTING



VERTICAL MOUNTING

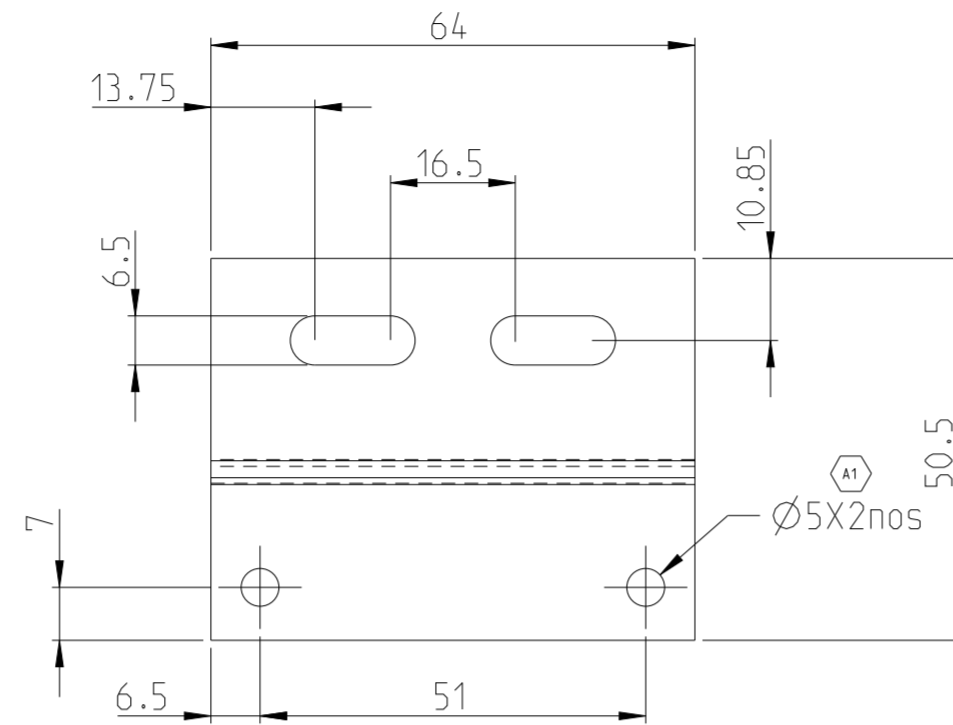
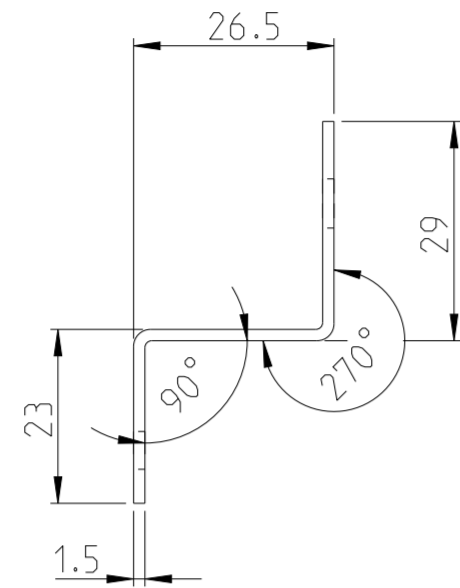


THIS DRAWING IS A CONTROLLED DOCUMENT.		DWN DHEERAJ M 22JUN2023	TE Connectivity	
		CHK TRACY G 22JUN2023		
DIMENSIONS: mm		APVD ALLAN P 22JUN2023	NAME ALUMINIUM HOUSED RESISTORS TYPE CJB650 SERIES	
TOLERANCES UNLESS OTHERWISE SPECIFIED:		PRODUCT SPEC -	SIZE A2	
0 PLC ±		APPLICATION SPEC -	CAGE CODE 00779	DRAWING NO C-2176624
1 PLC ±		WEIGHT -	RESTRICTED TO -	
2 PLC ±		CUSTOMER DRAWING	SCALE 1:2	SHEET 1 OF 2
3 PLC ±				REV A1
4 PLC ±				
ANGLES ±				
FINISH -				

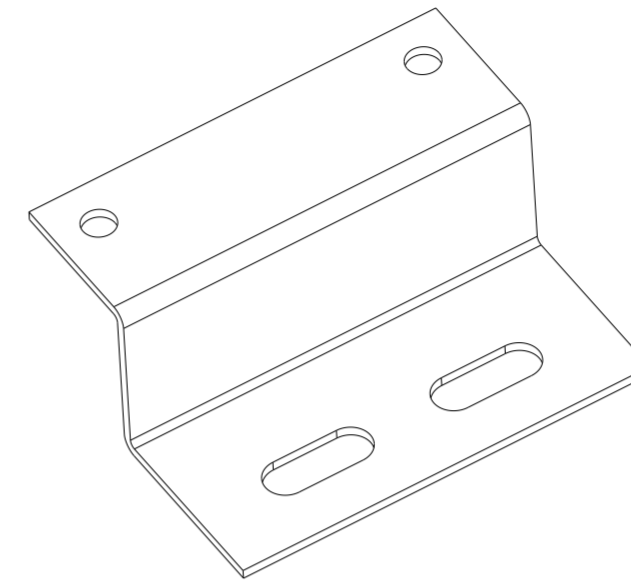
REVISIONS

P	LTR	DESCRIPTION	DATE	DWN	APVD
-	-	SEE SHEET 1	-	-	-


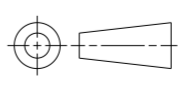
MOUNTING FEET



1:1



TCPN	Catalogue Number	Part Description	Part Status
2176624-1	C JB650J4R7J	C JB 650W 5% 4R7 Lead	Production
2176624-2	C JB650J6R8J	C JB 650W 5% 6R8 Lead	Production
2176624-3	C JB650J10RJ	C JB 650W 5% 10R Lead	Production
2176624-4	C JB650J15RJ	C JB 650W 5% 15R Lead	Production
2176624-5	C JB650J22RJ	C JB 650W 5% 22R Lead	Production
2176624-6	C JB650J33RJ	C JB 650W 5% 33R Lead	Production
2176624-7	C JB650J47RJ	C JB 650W 5% 47R Lead	Production
2176624-8	C JB650J68RJ	C JB 650W 5% 68R Lead	Production
2176624-9	C JB650J100RJ	C JB 650W 5% 100R Lead	Production

THIS DRAWING IS A CONTROLLED DOCUMENT.		DWN DHEERAJ M 22 JUN 2023	 TE Connectivity		
DIMENSIONS: mm		CHK TRACY G 22 JUN 2023			
TOLERANCES UNLESS OTHERWISE SPECIFIED:		APVD ALLAN P 22 JUN 2023	NAME ALUMINIUM HOUSED RESISTORS TYPE CJB650 SERIES		
		PRODUCT SPEC -	RESTRICTED TO -		
MATERIAL -		APPLICATION SPEC -	SIZE A2	CAGE CODE 00779	DRAWING NO C-2176624
FINISH -		WEIGHT -	SCALE 1:2		SHEET 2 OF 2
		CUSTOMER DRAWING		REV A1	