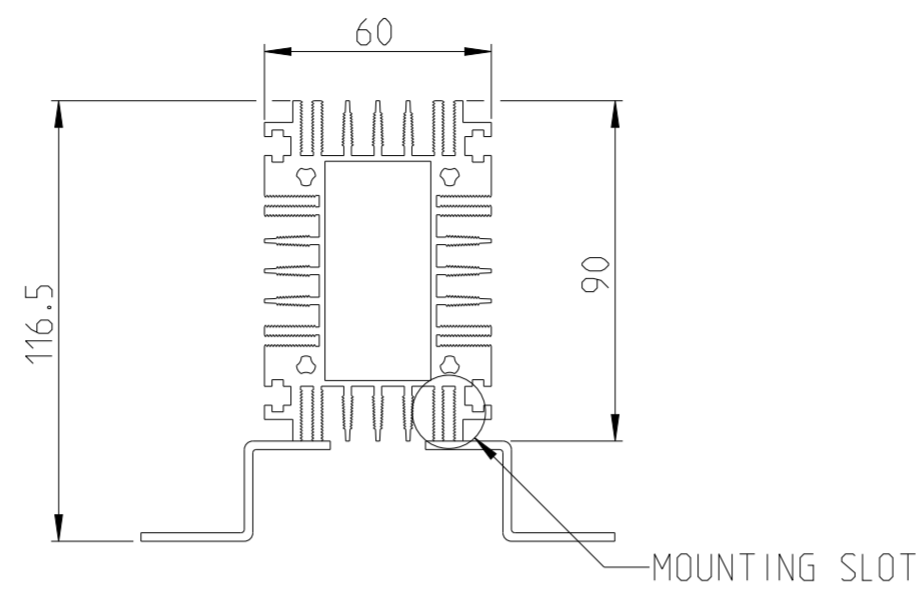
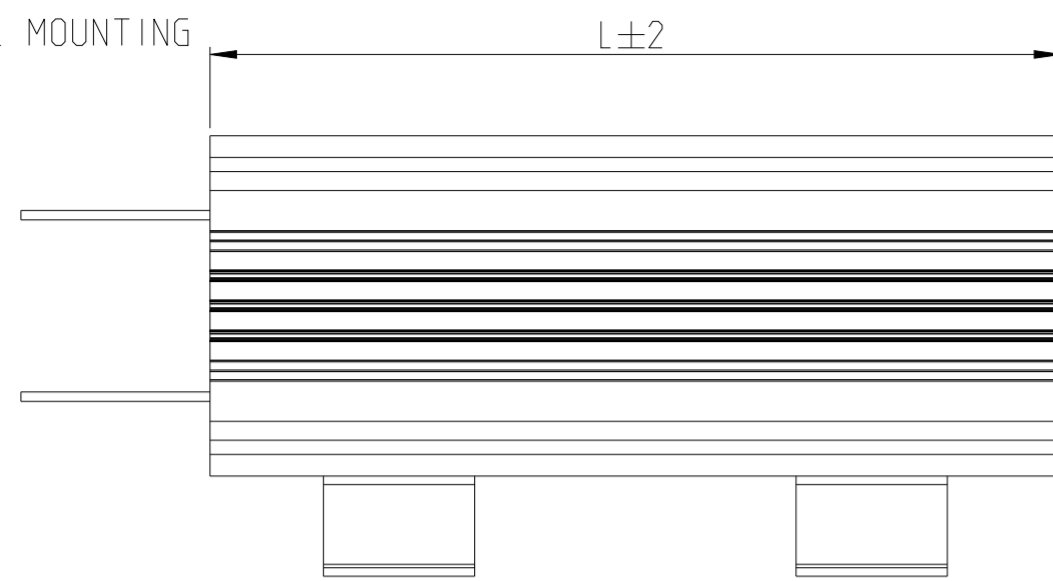


| P | LTR | DESCRIPTION | DATE | DWN | APVD |
|----|-----|-----------------------------------|-----------|-----|------|
| A | | INITIAL DRAWING RELEASE | 22JUN2023 | DM | AP |
| A1 | | CHANGE DIMENSION ON MOUNTING FEET | 10AUG2023 | DM | AP |

VERTICAL MOUNTING



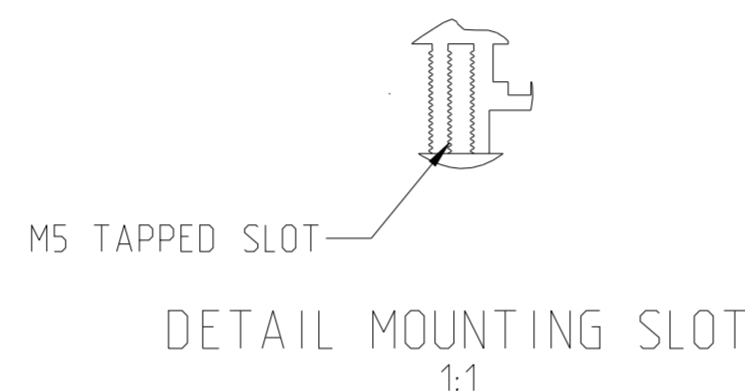
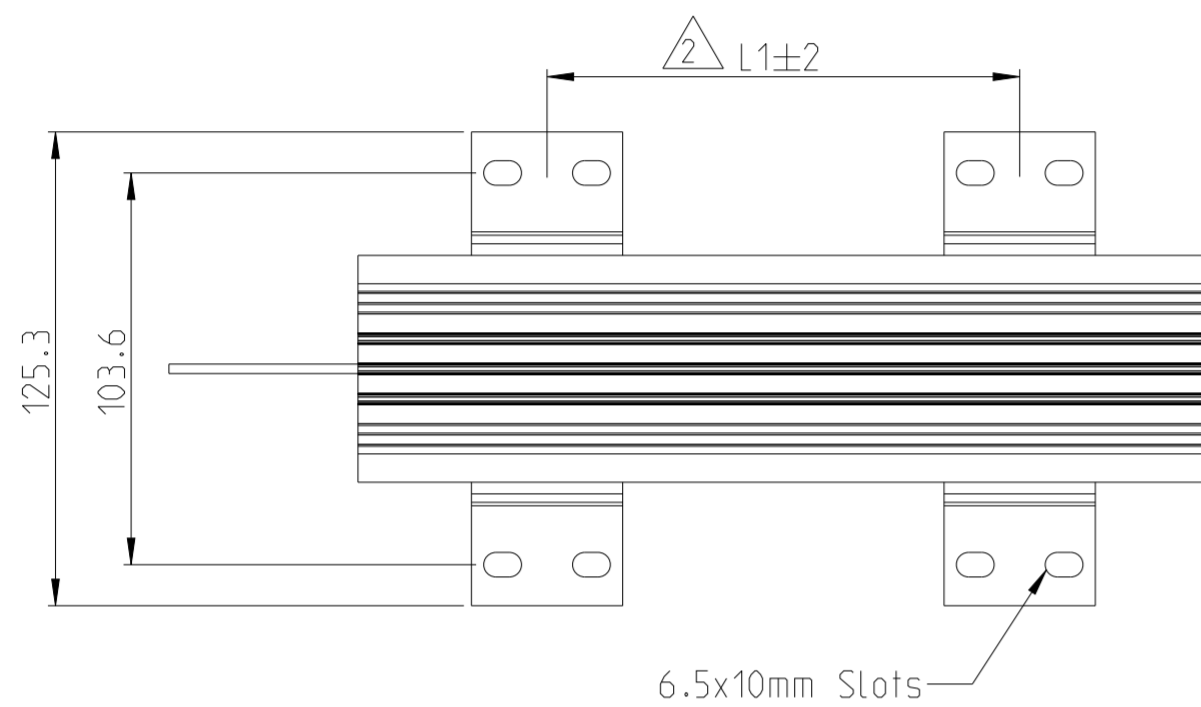
FOR FURTHER INFORMATION SEE DATA SHEET FOR ALUMINIUM HOUSED RESISTORS TYPE CJB SERIES

NOTE:

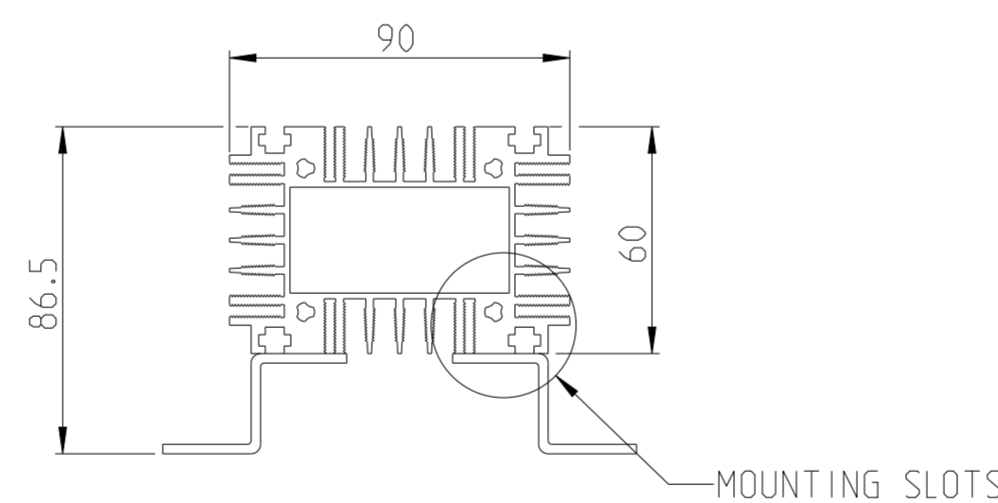
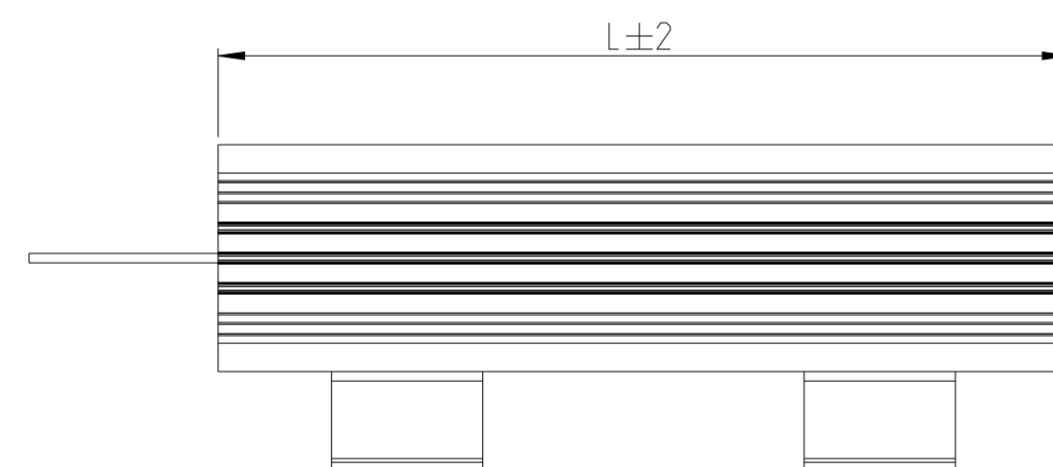
1 4X MOUNTING FEET, M5 SCREWS AND WASHERS ARE SUPPLIED IN A KIT FORM

THIS DIMENSION CAN BE ADJUSTED, SINCE THREADING IS AVAILABLE ALONG THE LENGTH OF THE RESISTOR

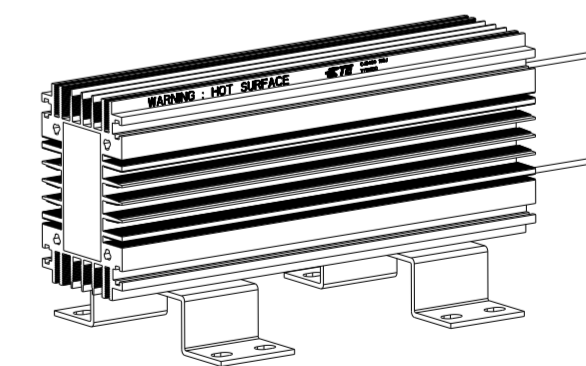
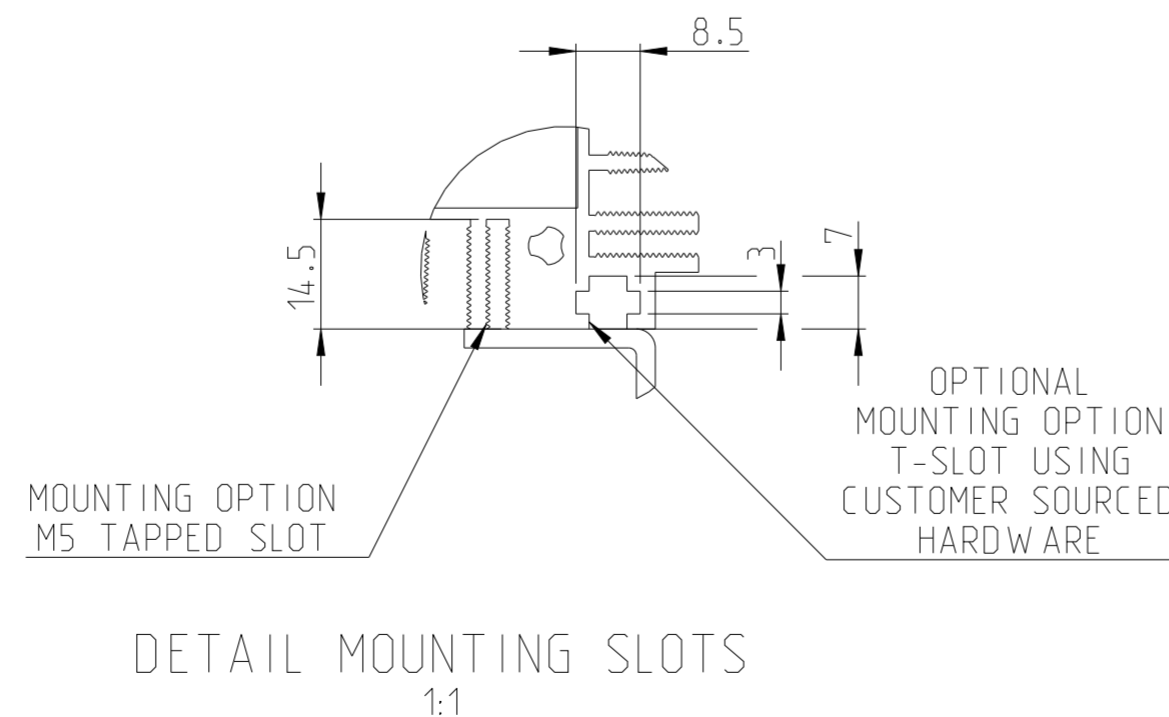
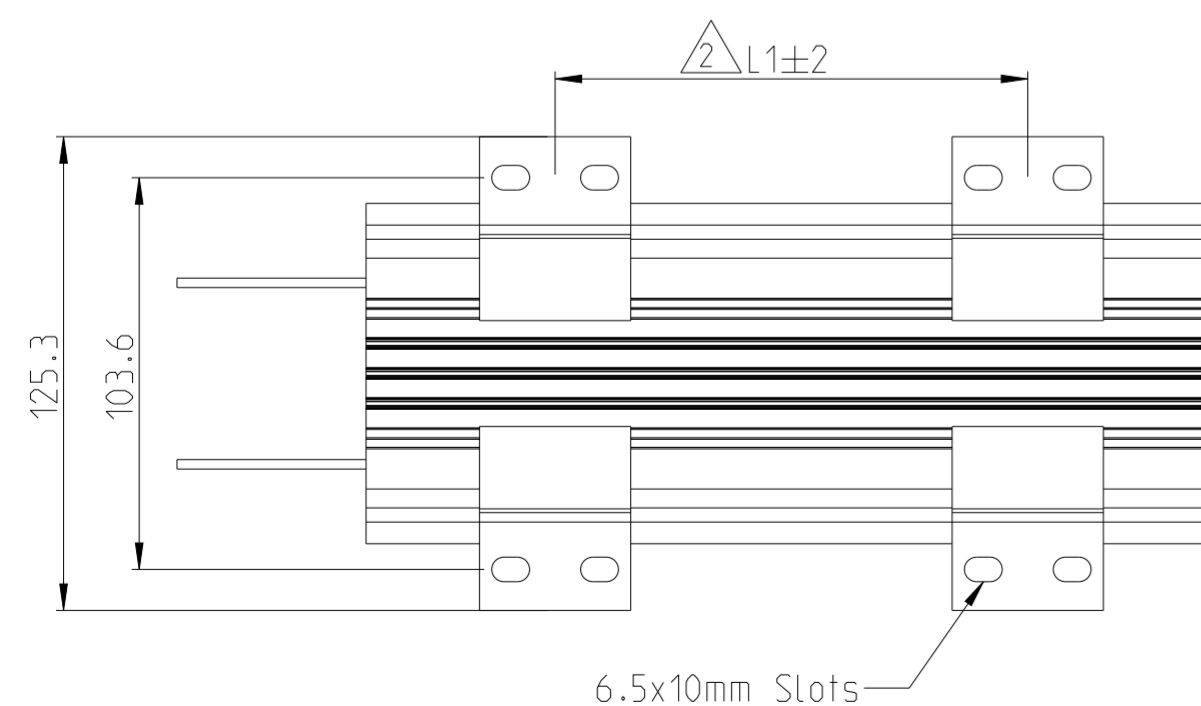
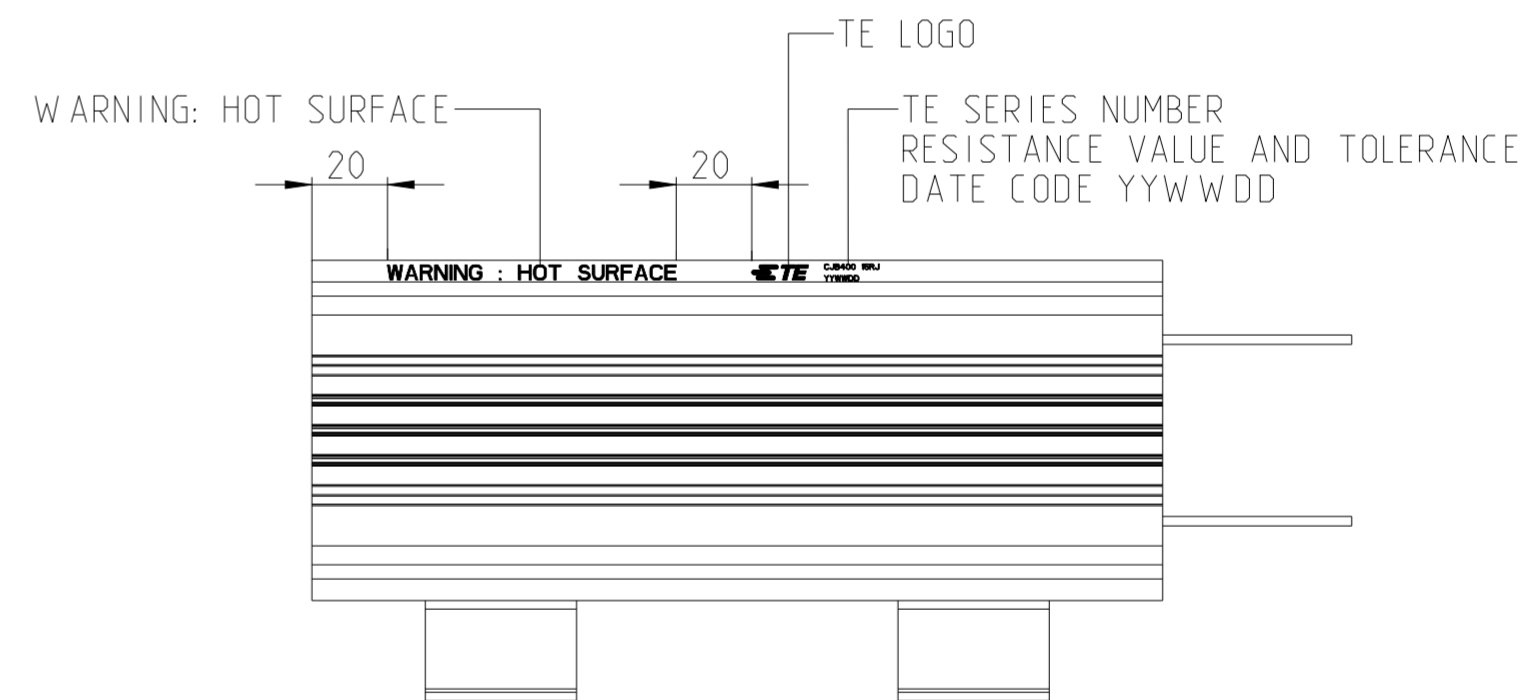
| TYPE | POWER RATING (W) | L (mm) | L1 (mm) |
|--------|------------------|--------|---------|
| CJB400 | 400 | 225 | 125 |



HORIZONTAL MOUNTING



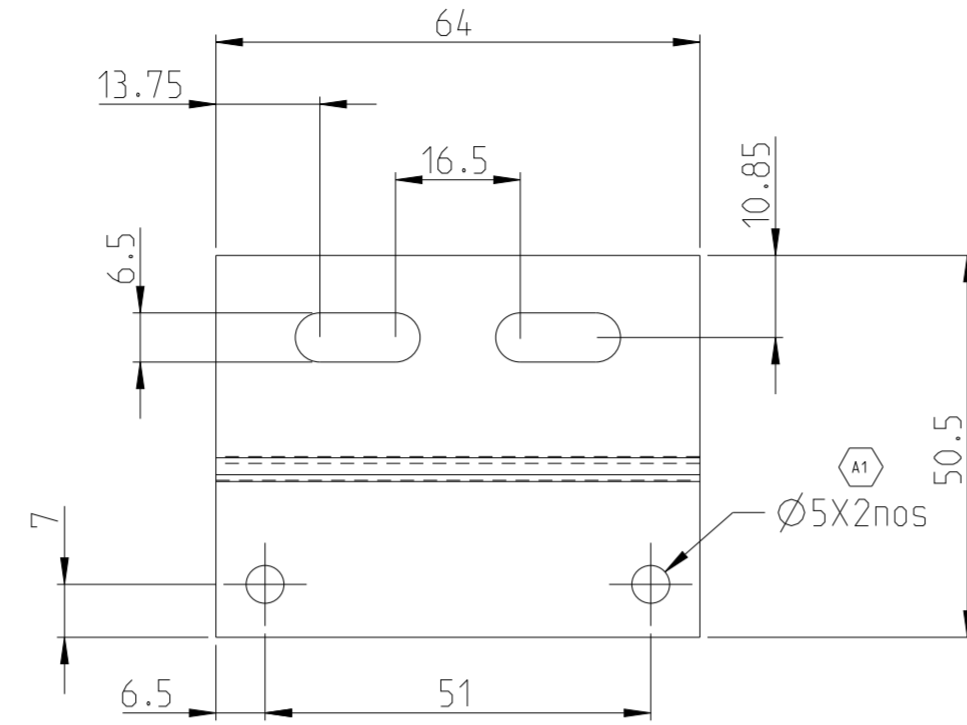
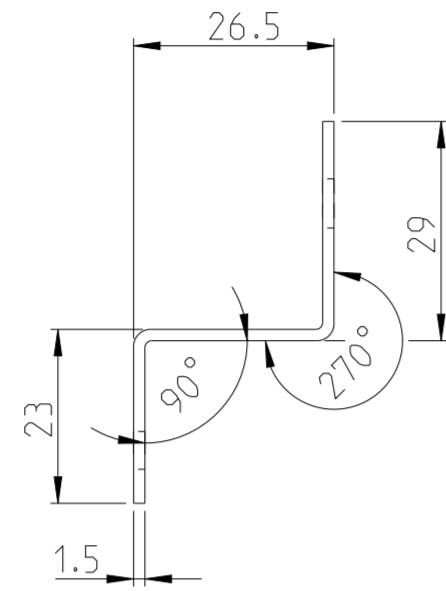
VERTICAL MOUNTING



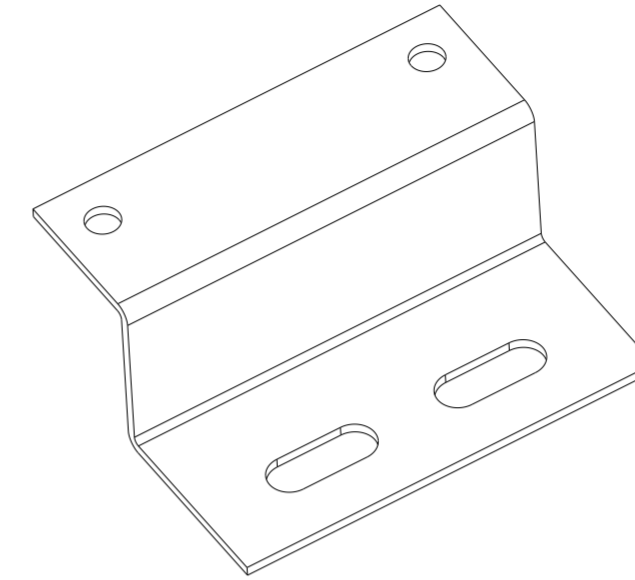
| | | | | |
|--|---|-------------------------|--|----------------------|
| THIS DRAWING IS A CONTROLLED DOCUMENT. | | DWN DHEERAJ M 22JUN2023 | | |
| | | CHK TRACY G 22JUN2023 | | |
| DIMENSIONS: mm | | APVD ALLAN P 22JUN2023 | NAME ALUMINIUM HOUSED RESISTORS TYPE CJB400 SERIES | |
| TOLERANCES UNLESS OTHERWISE SPECIFIED: | | PRODUCT SPEC | SIZE A2 | |
| 0 PLC | ± | APPLICATION SPEC | CAGE CODE 00779 | DRAWING NO C-2176622 |
| 1 PLC | ± | | SCALE 1:2 | SHEET 1 OF 2 |
| 2 PLC | ± | | | REV A1 |
| 3 PLC | ± | | | |
| 4 PLC | ± | | | |
| ANGLES | ± | | | |
| FINISH | - | | | |
| MATERIAL | - | | | |
| | - | | | |

| P | LTR | DESCRIPTION | DATE | DWN | APVD |
|---|-----|-------------|------|-----|------|
| - | - | SEE SHEET 1 | - | - | - |
| | | | | | |
| | | | | | |

MOUNTING FEET



1:1



| TCPN | Catalogue Number | Part Description | Part Status |
|-----------|------------------|-----------------------|-------------|
| 2176622-1 | CJB400J4R7J | CJB 400W 5% 4R7 Lead | Production |
| 2176622-2 | CJB400J6R8J | CJB 400W 5% 6R8 Lead | Production |
| 2176622-3 | CJB400J10RJ | CJB 400W 5% 10R Lead | Production |
| 2176622-4 | CJB400J15RJ | CJB 400W 5% 15R Lead | Production |
| 2176622-5 | CJB400J22RJ | CJB 400W 5% 22R Lead | Production |
| 2176622-6 | CJB400J33RJ | CJB 400W 5% 33R Lead | Production |
| 2176622-7 | CJB400J47RJ | CJB 400W 5% 47R Lead | Production |
| 2176622-8 | CJB400J68RJ | CJB 400W 5% 68R Lead | Production |
| 2176622-9 | CJB400J100RJ | CJB 400W 5% 100R Lead | Production |

| | | | | |
|---|--|---------------------------------|--|--------------------|
| THIS DRAWING IS A CONTROLLED DOCUMENT. | | DWN DHEERAJ M 22 JUN 2023 | TE Connectivity | |
| | | CHK TRACY G 22 JUN 2023 | | |
| DIMENSIONS: mm | | APVD ALLAN P 22 JUN 2023 | NAME ALUMINIUM HOUSED RESISTORS TYPE CJB400 SERIES | |
| | | PRODUCT SPEC - | RESTRICTED TO - | |
| TOLERANCES UNLESS OTHERWISE SPECIFIED: 0 PLC ± 1 PLC ± 2 PLC ± 3 PLC ± 4 PLC ± ANGLES ± FINISH - | | APPLICATION SPEC - | SIZE A2 | CAGE CODE 00779 |
| MATERIAL - | | WEIGHT - | DRAWING NO C-2176622 | SCALE 1:2 |
| | | CUSTOMER DRAWING | SHEET 2 | OF 2 |
| | | | REV A1 | |