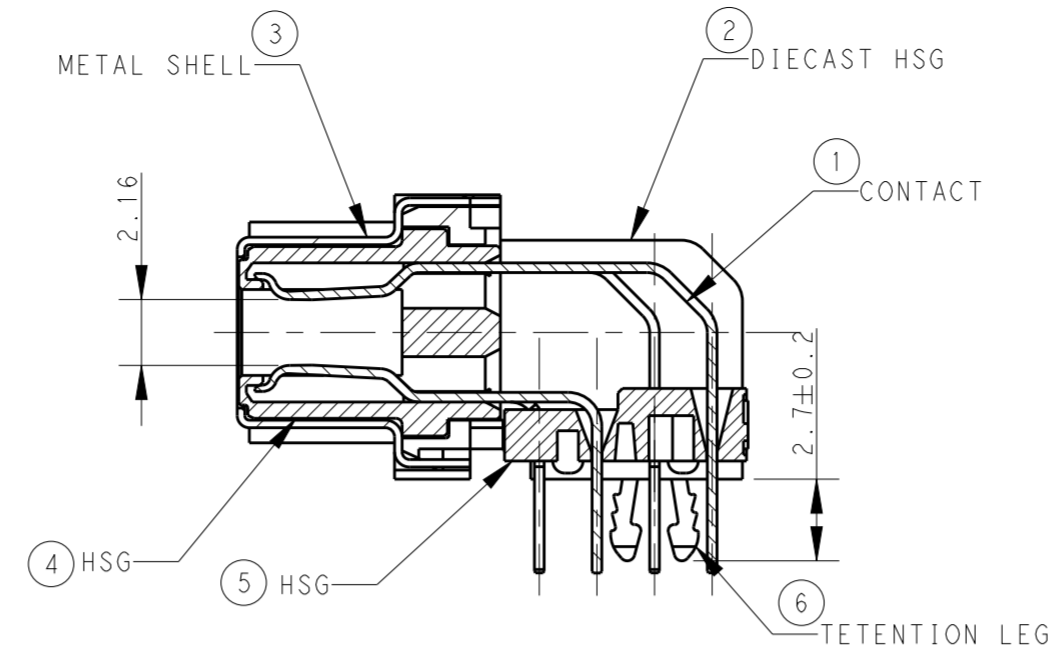
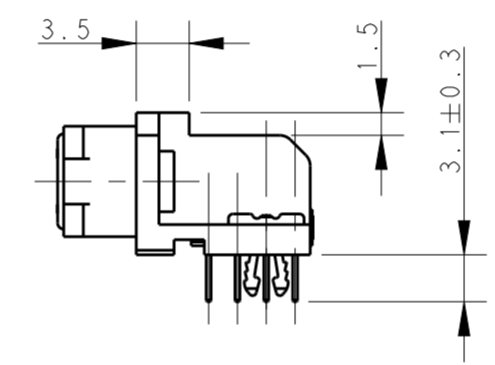


REVISIONS						
P	LTR	DESCRIPTION	DATE	DWN	APVD	
A2		ADD DIMENSION AS MARKED	17DEC15	N.W	X.X	
A3		CHANGE PRODUCT SPECIFICATION	17SEP18	T.F	C.W	

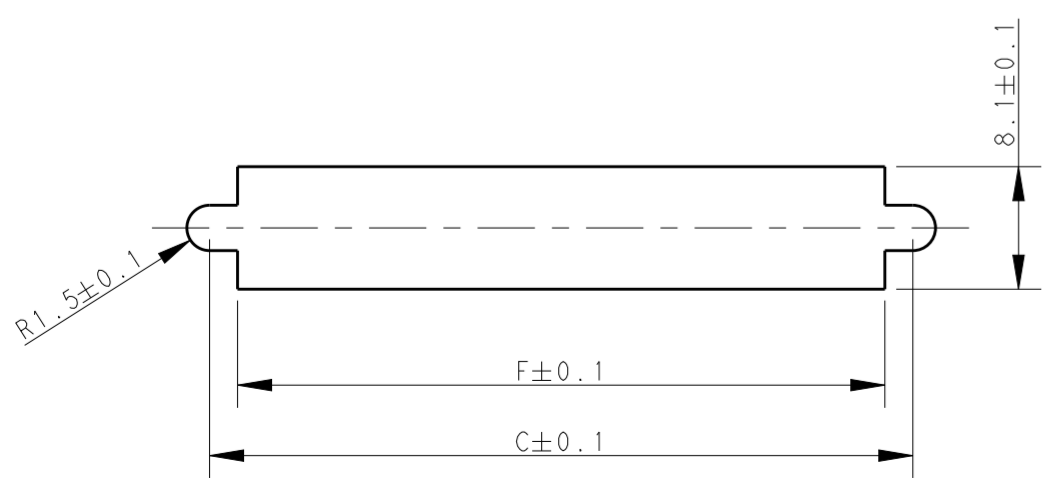
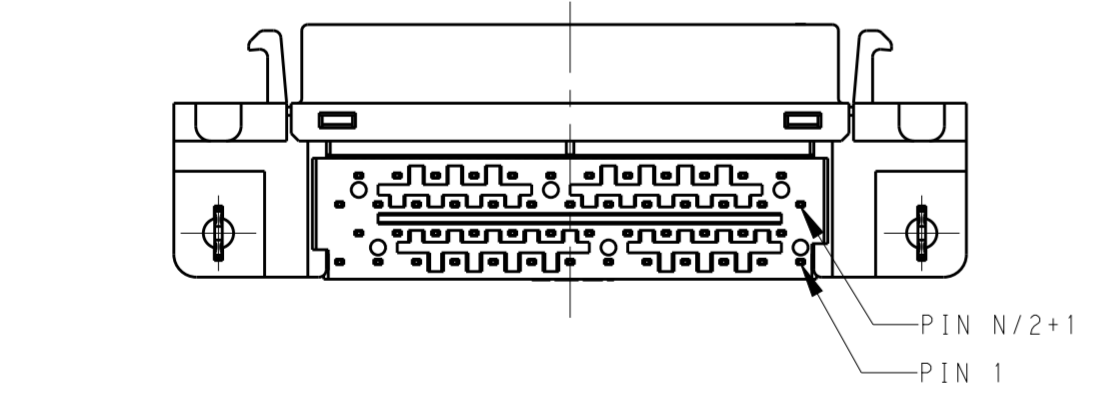
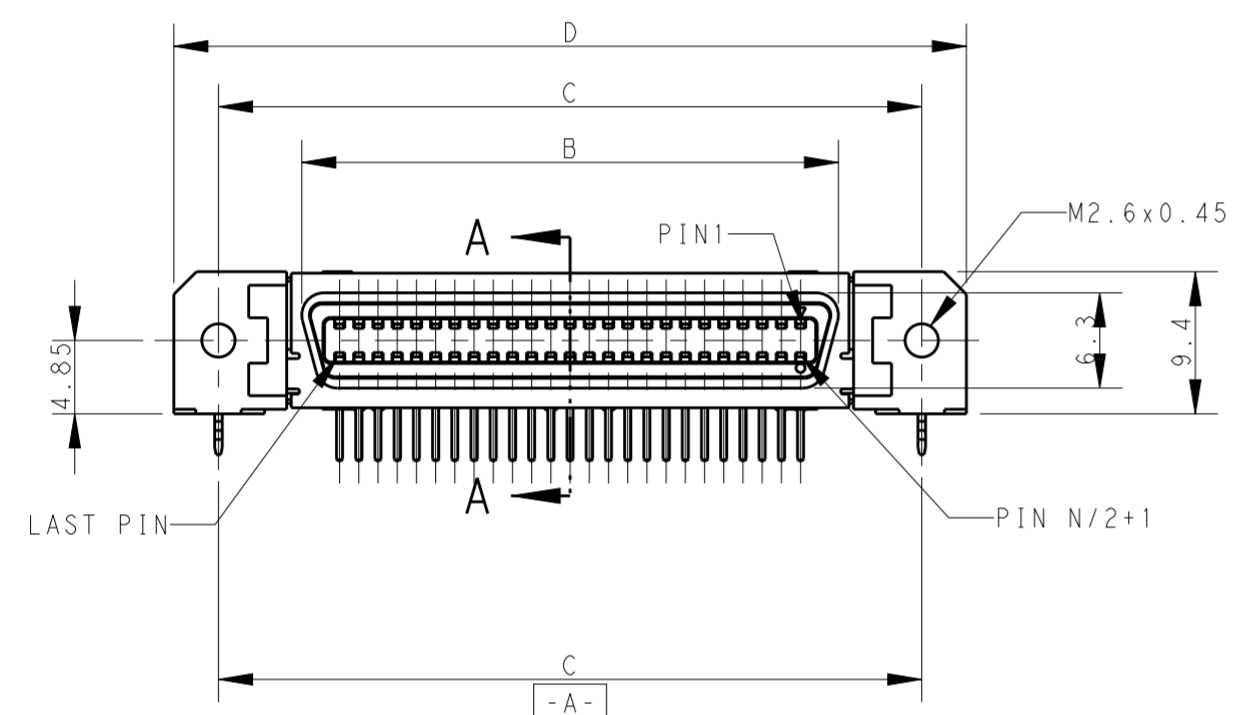
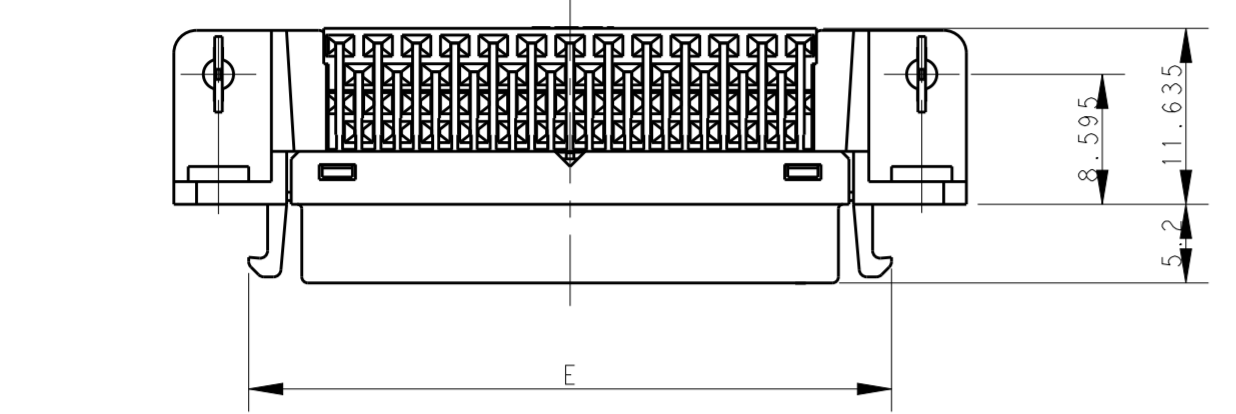
ITEM	MATERIAL	FINISH
①	COPPER ALLOY	NICKEL UNDER PLATED ALL OVER CONTACT AREA: Au(0.3um,0.76um) SOLDER TINE AREA:TIN PLATE
②	ZINC	NICKEL PLATING
③	STEEL T=0.25	NICKEL PLATE OVER COPPER UNDERPLATE
④	THERMO-PLASTIC UL:94V-0	COLOR:BLACK
⑥	COPPER ALLOY	TIN PLATE OVER NICKEL UNDERPLATE



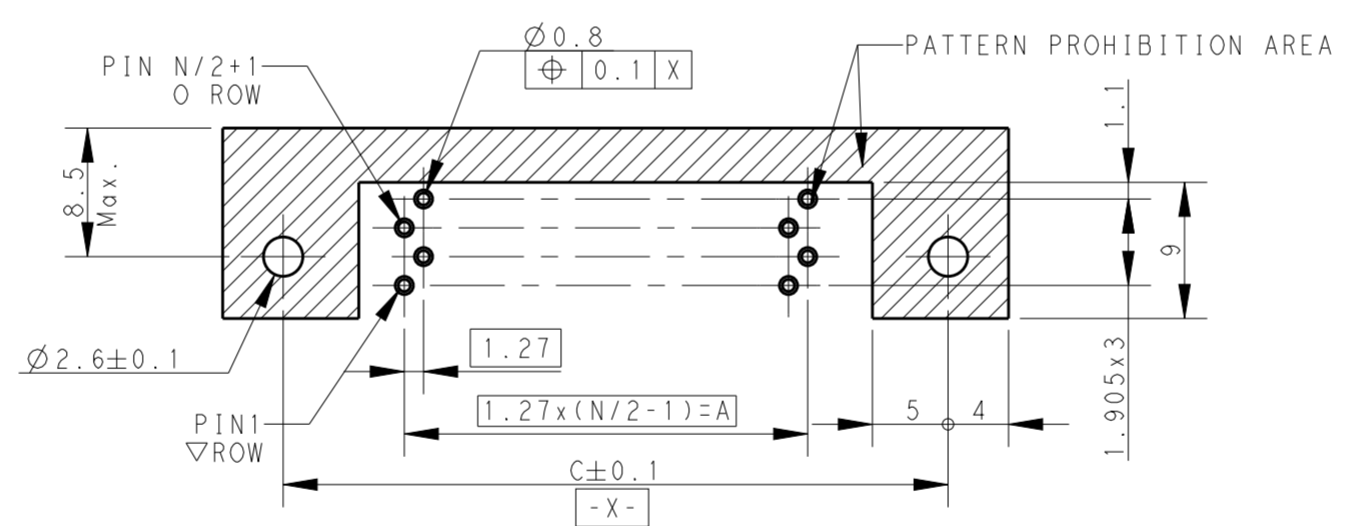
SECTION A-A  
SCALE 4:1



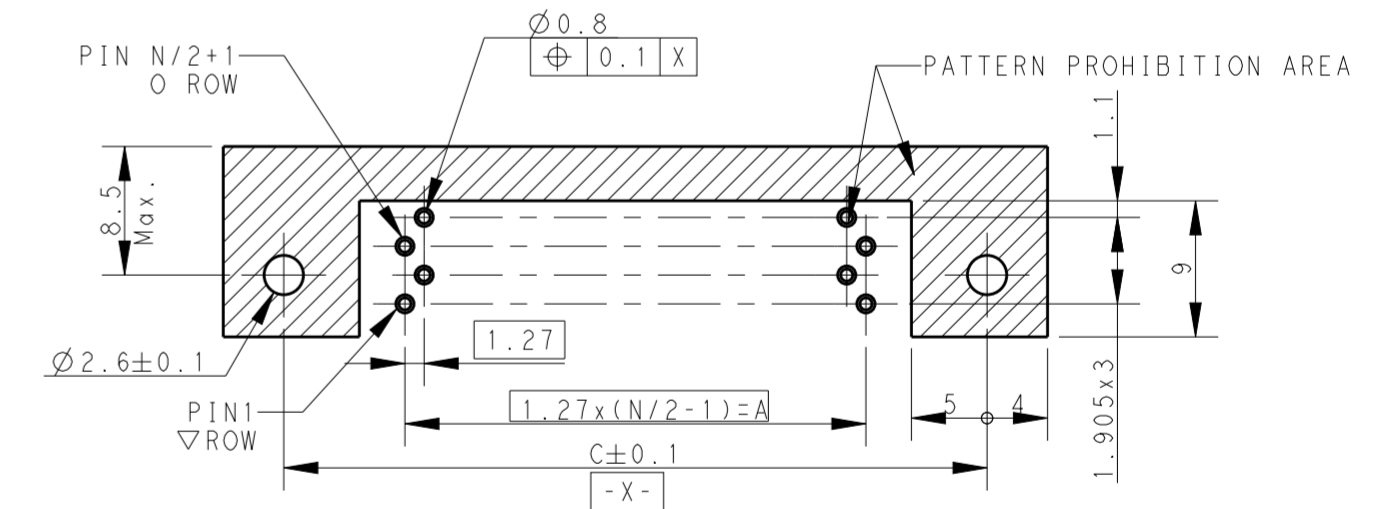
- NOTES:  
 1. RECOMMENDED SCREW SIZE:M2.6 PANHEAD SCREW(L=5)  
 2. RECOMMENDED PCB THICKNESS:1.6MM(REF.)  
 3. RECOMMENDED THE SCREW TORQUE 0.25~0.35N·m



RECOMMENDED PANEL CUTOUT  
THK, 2MM MAX.



FOR 20,36 POSITION  
RECOMMENDED PCB LAYOUT  
GENERAL TOLERANCE: ±0.05



FOR 26,50 POSITION  
RECOMMENDED PCB LAYOUT  
GENERAL TOLERANCE: ±0.05

42.8	42.50	52.40	46.50	35.48	30.48	0.76um	50	5-2271101-2
33.9	33.61	43.51	37.61	26.59	21.59	0.76um	36	4-2271101-2
27.6	27.26	37.16	31.26	20.24	15.24	0.76um	26	3-2271101-2
23.8	23.45	33.35	27.45	16.43	16.43	0.76um	20	2-2271101-2
							14	
42.8	42.50	52.40	46.50	35.48	30.48	0.3um	50	5-2271101-1
33.9	33.61	43.51	37.61	26.59	21.59	0.3um	36	4-2271101-1
27.6	27.26	37.16	31.26	20.24	15.24	0.3um	26	3-2271101-1
23.8	23.45	33.35	27.45	16.43	11.43	0.3um	20	2-2271101-1
							14	
F	E	D	C	B	A	Au PLT.	POS. N	PN

THIS DRAWING IS A CONTROLLED DOCUMENT.

DIMENSIONS:	TOLERANCES UNLESS OTHERWISE SPECIFIED:	DWN	HAO WANG	07AUG13
mm	0 PLC ±0.2	CHK	KOBBY ZHAO	07AUG13
	1 PLC ±0.2	APVD	XIANG XU	07AUG13
	2 PLC ±0.2	PRODUCT SPEC	108-137364	A3
	3 PLC ±0.2	APPLICATION SPEC		
	4 PLC ±	WEIGHT		
MATERIAL	ANGLES ±2°	Customer Drawing	SCALE 1:1	SHEET 1 OF 1
	FINISH			REV A3

TE Connectivity  
 SCS1 .050  
 RECEPTCEL HDR ASSY