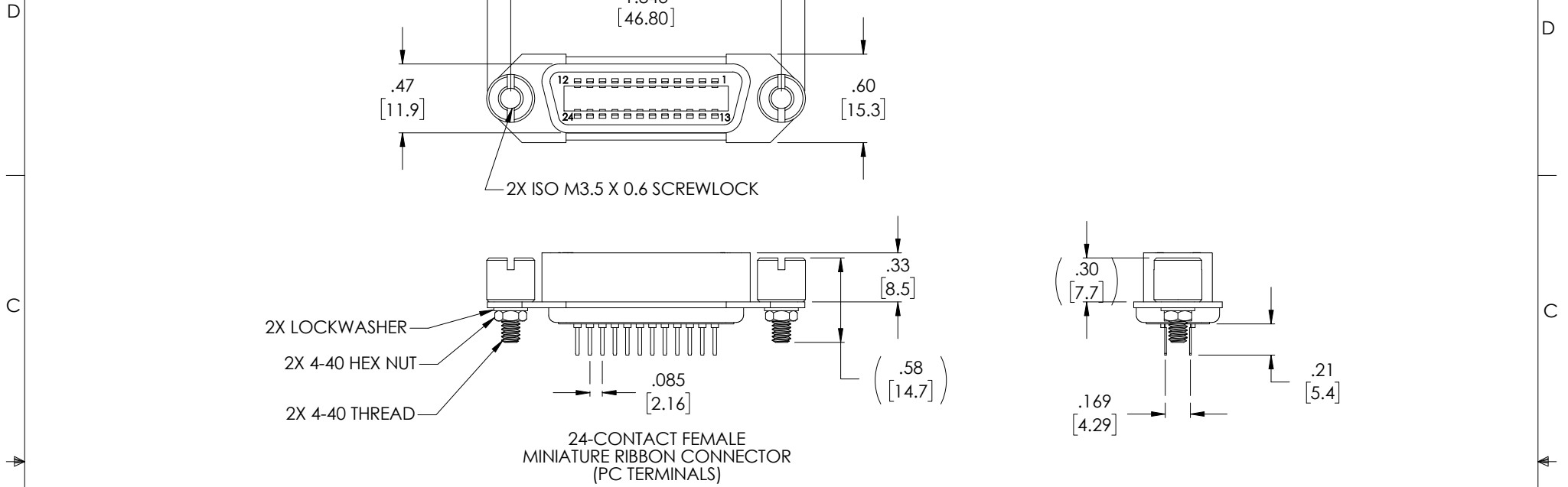


THE INFORMATION CONTAINED IN THIS DRAWING IS THE SOLE PROPERTY OF L-COM, INC. ANY REPRODUCTION IN PART OR WHOLE WITHOUT THE WRITTEN PERMISSION OF L-COM, INC. IS PROHIBITED.

REVISIONS			
REV	DESCRIPTION	DATE	APPROVED
A	REPLACES DRAWING CIB24SPC-OD1	07/14/2014	D.CASTRO
B	ECN 11888: REVISED 3D MODEL TO NEW REVISION	06/09/2022	GUTTADAURO

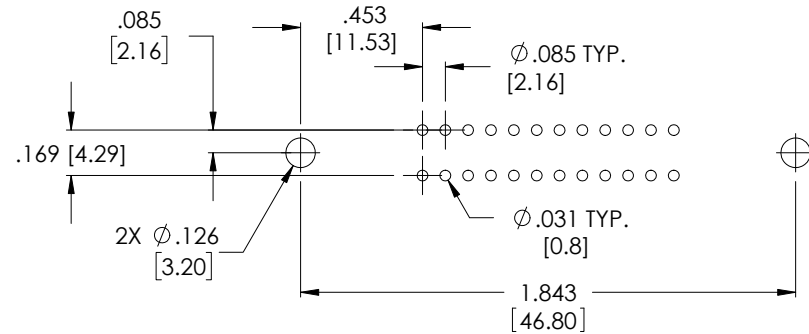



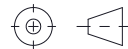
NOTES:

- MATERIALS:**
 CONTACTS: PHOSPHOR BRONZE OR BRASS
 INSULATOR: POLYBUTYLENE TEREPHTHALATE (PBT) AND GLASS-FIBER REINFORCED, U.L. 94V-0 RATED STEEL
 SHELL:
- FINISHES:**
 CONTACTS: GOLD PLATED
 TERMINALS: GOLD PLATED
 SHELL: ZINC, TIN OR NICKEL PLATED
- SUPPLIED WITH HARDWARE ASSEMBLED.
- SPECIFICATIONS:**
 CURRENT RATING: 5 AMP
 DIELECTRIC STRENGTH: 1000V FOR ONE MINUTE
 INSULATOR RESISTANCE: 1000MΩ MIN. (AT 500V DC)
 CONTACT RESISTANCE: 25mΩ MAX. (MATED)
 TEMPERATURE RATING: -55 °C TO +105 °C
- CONNECTOR SHALL BE INDIVIDUALLY PACKAGED IN ACCORDANCE WITH L-COM SPECIFICATION PS-0031.

REGULATORY COMPLIANCE:
 EU RoHS DIRECTIVE (MOST RECENT RELEASED VERSION)

RECOMMENDED PCB HOLE LAYOUT



UNLESS OTHERWISE SPECIFIED, DIMENSIONS ARE IN INCHES [mm] OVERALL CABLE LENGTH TOLERANCE: ≤12 [305] = +1 [25] / -0 >12 [305] ≤60 [1524] = +2 [51] / -0 >60 [1524] ≤120 [3048] = +4 [102] / -0 >120 [3048] ≤300 [7620] = +6 [152] / -0 >300 [7620] = +5% / -0 ALL OTHER DIMENSIONAL TOLERANCES: .X = ± .2 [5] FRACTIONS ± 1/32 .XX = ± .02 [5] ANGLES ± 1° .XXX = ± .005 [13]	APPROVALS DRAWN BY T.CLARK CHECKED BY DFP APPROVED BY C.McCORMICK	DATE 10/24/2001 10/25/2001 10/26/2001	 an INFINITI® brand 50 High Street, West Mill, North Andover, MA 01845 USA. Phone: 1.800.341.5266 1.978.682.6936
	CONFIGURATION DETAILS OF UNDIMENSIONED FEATURES MAY VARY COLOR VARIATIONS MAY OCCUR		
THIRD-ANGLE PROJECTION 			PRODUCT DESCRIPTION FEMALE IEEE-488 SOCKET, PC TERMINALS
SIZE A		CAGE CODE 43321	ITEM NO. CIB24SPC
SCALE: NONE		CAD FILE: CIB24SPC.SLDDRW	REV. B SHEET 1 OF 1