

Subracks – EuropacPRO

KIT, "FLEXIBLE", UNSHIELDED, FOR BACKPLANE MOUNTING

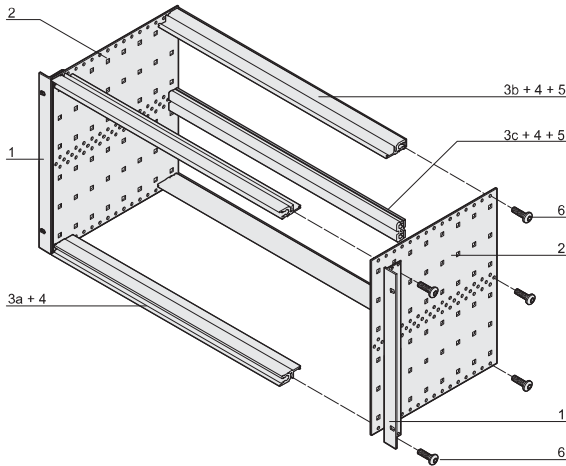


06102007

- Subrack with side panel type F ("flexible"), 19" bracket is depth-adjustable
- Rear horizontal rail for backplane mounting with insulation strip
- Installed load up to 11 kg

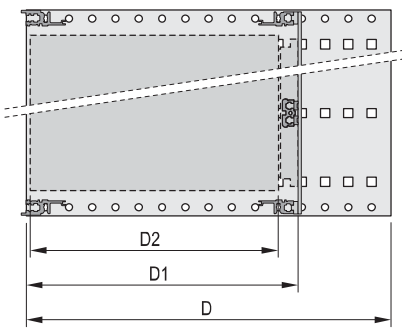
DELIVERY COMPRISES (kit)

| Item | Qty | | Description |
|------|-----|-----|---|
| | 3 U | 6 U | |
| 1 | 2 | 2 | 19" support bracket, Al extrusion, for EMC stainless steel gasket |
| 2 | 2 | 2 | Side panel type F, Al, 2 mm |
| 3a | 2 | 2 | Front horizontal rail (L-KD) |
| 3b | 2 | 2 | Rear horizontal rail (L-ST) for backplane mounting |
| 3c | - | 1 | Rear horizontal rail centre (ST) |
| 4 | 4 | 6 | Threaded insert, front and rear (pre-fitted) |
| 5 | 2 | 4 | Insulation strip (pre-fitted) |
| 6 | 1 | 1 | Fixing material kit, user manual |



06102081

6 U



06108051

D = overall depth, D1 = insertion depth,
D2 = board depth = D1 - 15 mm



04400001

Rear horizontal rail for backplane mounting with insulation strip

ORDER INFORMATION

| Height U | Width HP | Depth D mm | Depth D1 mm | Part no. |
|----------|----------|------------|-----------------|------------------|
| 3 | 84 | 175 | 175 | 24563-131 |
| 3 | 84 | 235 | 175/235 | 24563-132 |
| 3 | 84 | 295 | 175/235/295 | 24563-133 |
| 3 | 84 | 355 | 175/235/295/355 | 24563-134 |
| 3 | 84 | 415 | 175/235/295/355 | 24563-135 |
| 3 | 84 | 475 | 175/235/295/355 | 24563-136 |
| 6 | 84 | 175 | 175 | 24563-431 |
| 6 | 84 | 235 | 175/235 | 24563-432 |
| 6 | 84 | 295 | 175/235/295 | 24563-433 |
| 6 | 84 | 355 | 175/235/295/355 | 24563-434 |
| 6 | 84 | 415 | 175/235/295/355 | 24563-435 |
| 6 | 84 | 475 | 175/235/295/355 | 24563-436 |

Accessories

| | |
|---|------------------|
| 19" assembly kit (screw, washer, nut) (8 x screws, 8 x plastic washers, 8 x cage nuts) | 21100-435 |
|---|------------------|

Guide rails (standard), ESD clips

| Depth D2 mm | Qty/PU piece | Part no. |
|-------------|--------------|------------------|
| 160 | 10 | 24560-351 |
| 220 | 10 | 24560-353 |
| 280 | 10 | 24560-379 |
| 340 | 10 | 24560-380 |

ESD clip for guide rails PU 50 pieces

24560-255

Cover plates for insertion in horizontal rails (type L)

| Depth D2 mm | Width HP | Qty/PU piece | Part no. |
|-------------|----------|--------------|------------------|
| 160 | 84 | 2 | 24561-051 |
| 220 | 84 | 2 | 24561-052 |