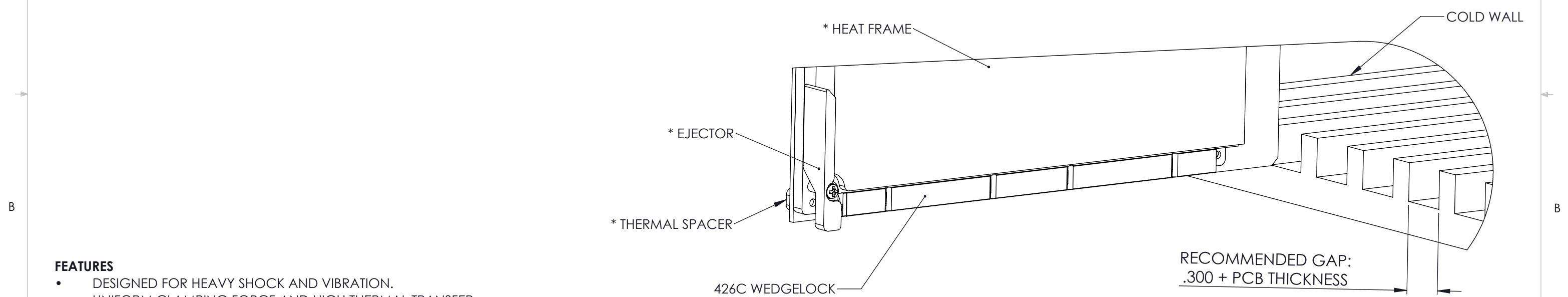
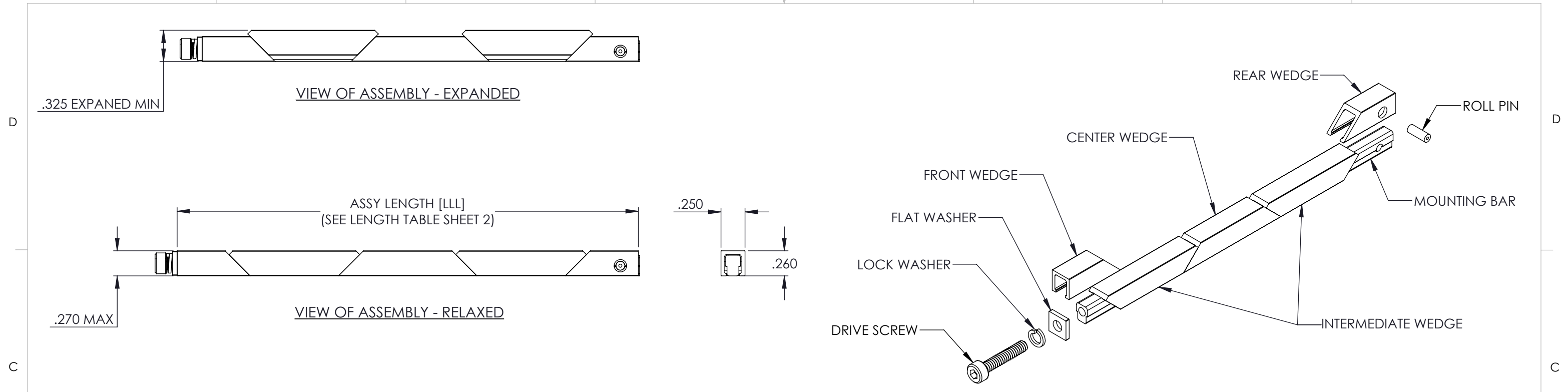


8 7 6 5 4 3 2 1



- FEATURES**
- DESIGNED FOR HEAVY SHOCK AND VIBRATION.
  - UNIFORM CLAMPING FORCE AND HIGH THERMAL TRANSFER.
  - NARROW WIDTH FOR MAXIMUM PCB COMPONENT AREA.
  - LOW PROFILE DESIGN ALLOWS FOR DECREASED SLOT PITCH.
  - CAPTIVATED REAR WEDGE.
  - LIGHT WEIGHT = ASSEMBLY LENGTH X .085 OZ [2.41 G] OR [.95 G/CM]
  - SPECIAL LENGTHS, FINISH, AND OTHER DESIGN OPTIONS AVAILABLE UPON REQUEST.

**MATERIAL**  
 MOUNTING BAR AND WEDGES: ALUMINUM 6063-T6.  
 ALL OTHER HARDWARE: STAINLESS STEEL, PASSIVATED.

PARTS ARE SHIPPED AS COMPLETE ASSEMBLY EXCEPT FOR RIVET MOUNT OPTION (SEE SHEET 2)  
 RECOMMENDED DRIVE SCREW TORQUE IS 6 IN-LBS (68 N-CM)  
 8IN-LBS (90 N-CM) ALLOWABLE MAX WITH LOCK PATCH

\* CONTACT WAKEFIELD FOR COMPLETE HEATFRAME ASSEMBLY OR OTHER COMPONENT ITEMS

THIS DOCUMENT, IN ITS ENTIRETY, CONTAINS INFORMATION WHICH IS CONFIDENTIAL AND PROPRIETARY TO WAKEFIELD THERMAL. DOCUMENTS MARKED WITH PROPRIETARY ARE NOT TO BE USED, DUPLICATED OR DISCLOSED WITHOUT PRIOR WRITTEN PERMISSION OF AN OFFICER OR DULY AUTHORIZED REPRESENTATIVE OF WAKEFIELD THERMAL OR AS MAY BE PROVIDED IN A WRITTEN NON-DISCLOSURE AGREEMENT BETWEEN THE PARTIES.

CAD GENERATED DRAWING				 2910 INDUSTRIAL DRIVE, RALEIGH, NC 27609	
TOLERANCES UNLESS OTHERWISE SPECIFIED:	NAME	DATE		TITLE: <h3>426C WEDGELOCK DATASHEET</h3> 0.260 X 0.250 REV 23A	
X.XX ± 0.010"	DRAWN	MRP	5/11/2021		
X.XXX ± 0.005"	CHECKED	.	.		
ANGULAR ± 1°	ENG APPR.	MRP	5/11/2021		
MACHINED SURFACES <sup>63</sup> ✓	MFG APPR.	.	.		
INTERPRET GEOMETRIC TOLERANCES PER: ASME Y14.5M-1994	Q.A.	.	.	SCALE 1:1 SHEET 1 OF 2	
MATERIAL: SEE PART DETAIL	SIZE	DWG NO. 426C-DS			
FINISH: SEE FINISH TABLE	B	CAGE CODE: 3E7U8			
DO NOT SCALE DRAWING	MODEL_INFO: 426C Series Master	3E7U8	SCALE 1:1	SHEET 1 OF 2	

8 7 6 5 4 3 2 1

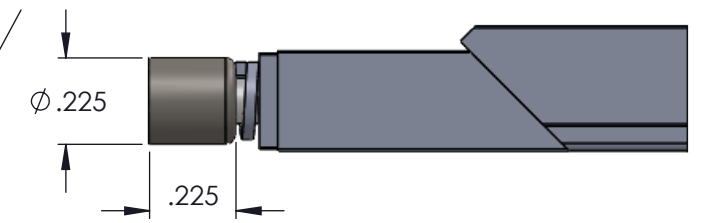
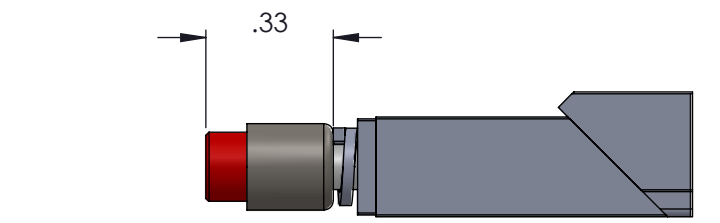
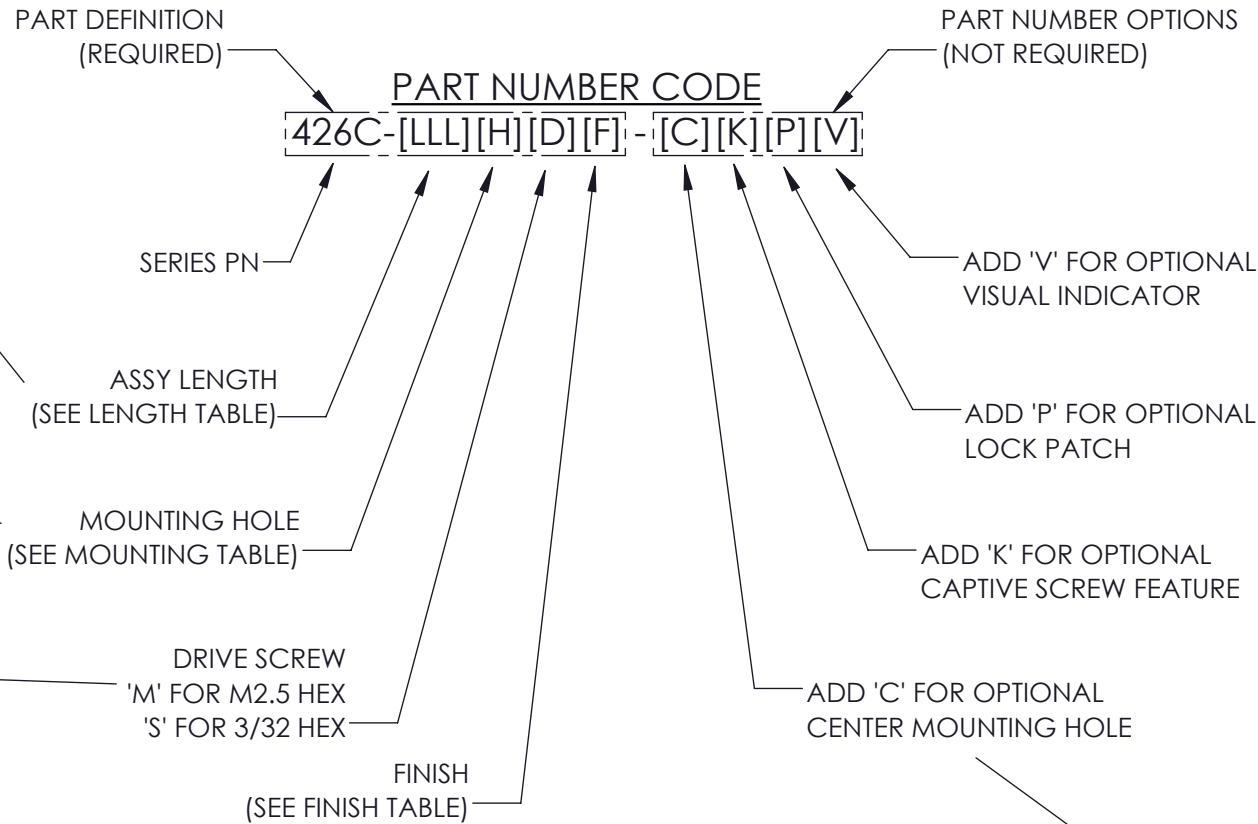
[LLL] LENGTH TABLE		
ASSY LENGTH [LLL]	[H] MTG X	[C] OPITON X/2
280	0.900	0.450
330	1.400	0.700
380	1.900	0.950
430	2.400	1.200
480	2.900	1.450
530	3.400	1.700
580	3.900	1.950
630	4.400	2.200
680	4.900	2.450
730	5.400	2.700
780	5.900	2.950
OTHER LENGTHS AVAILABLE UPON REQUEST		

[H] MOUNTING TABLE	
DASH NO	DESCRIPTION
A	NO MOUNTING HOLES
$\triangle$ R	$\phi$ 0.068/0.073 THRU $\checkmark$ $\phi$ 0.213 X 100°
T	#0-80 UNF-2B THREADS
S	#2-56 UNC-2B THREADS
U	M2 X 0.4 - 6H THREADS
M	M2.5 X 0.45 - 6H THREADS
THREAD DEPTH .215	

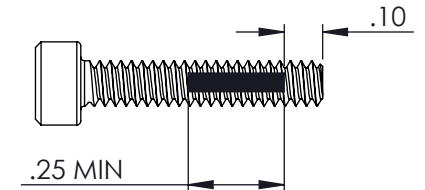
[F] FINISH TABLE	
DASH NO	DESCRIPTION
A	NO FINISH
G	CHROMATE PER MIL-DTL-5541, CLASS 1A, TYPE I (GOLD)
T	TRIVALENT CHROMATE PER MIL-DTL-5541, CLASS 1A, TYPE II (CLEAR), RoHS COMPLIANT
B	BLACK ANODIZE PER MIL-A-8625, TYPE II, CLASS 2
H	HARD BLACK ANODIZE PER MIL-A-8625, TYPE III, CLASS 2
D	HARD BLACK ANODIZE PER MIL-A-8625, TYPE III, CLASS 2 WITH DRY FILM LUBE PER MIL-L-46010
E	ELECTROLESS NICKEL PER MIL-C-26074, CLASS 4, GRADE B, BRIGHT
*N	NADCAP COMPLIANT (EX: 'BN' - BLACK ANODIZE, NADCAP)

**EXAMPLE**  
 426C-480SSB-CKP  
 426C WEDGELock ASSEMBLY  
 4.80" LENGTH, 2-56 MTG, 3/32 SOCKET HEAD, BLACK ANODIZE  
 CENTER MTG HOLE, CAPTIVE SCREW, LOCK PATCH

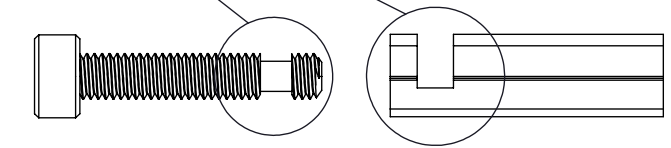
**PART NUMBER CODE**  
 426C-[LLL][H][D][F]-[C][K][P][V]



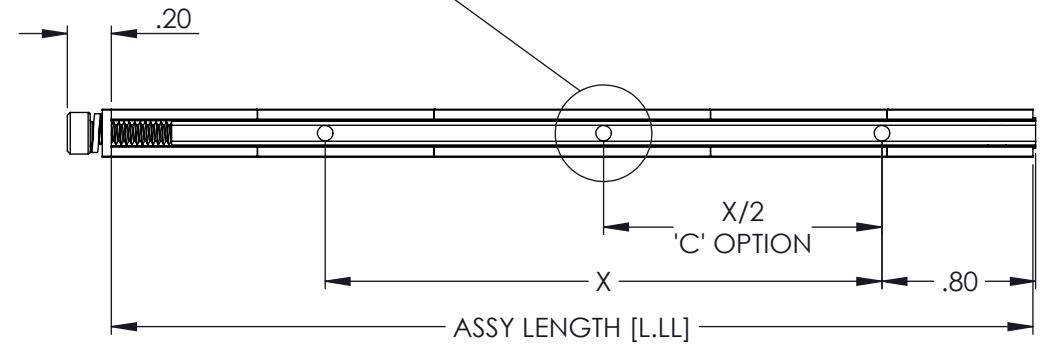
**'V' OPTION**  
 VISUALLY CONFIRMS LOCKED IN PLACE WHEN RED SCREW HEAD IS CONCEALED



**'P' OPTION**  
 NYLON PATCH PER MIL-F-18240 PROVIDES ADDITIONAL RESISTANCE TO SHOCK AND VIBRATION



**'K' OPTION**  
 CAPTIVATES SCREW BY FREE SPINNING WHEN WEDGELock IS IN RELAXED POSITION



**BOTTOM VIEW**

NOTES:  
 $\triangle$  SHIP AS COMPLETE ASSEMBLY IN RELAXED STATE (IF RIVET MOUNTING OPTION IS SELECTED, SHIP UNASSEMBLED)

THIS DOCUMENT, IN ITS ENTIRETY, CONTAINS INFORMATION WHICH IS CONFIDENTIAL AND PROPRIETARY TO WAKEFIELD THERMAL. DOCUMENTS MARKED WITH PROPRIETARY ARE NOT TO BE USED, DUPLICATED OR DISCLOSED WITHOUT PRIOR WRITTEN PERMISSION OF AN OFFICER OR DULY AUTHORIZED REPRESENTATIVE OF WAKEFIELD THERMAL OR AS MAY BE PROVIDED IN A WRITTEN NON-DISCLOSURE AGREEMENT BETWEEN THE PARTIES.

SIZE <b>B</b>	DWG NO. 426C-DS	REV <b>23A</b>
CAGE CODE: 3E7U8	SCALE 1:1	SHEET 2 OF 2

MODEL\_INFO:  
426C Series Master