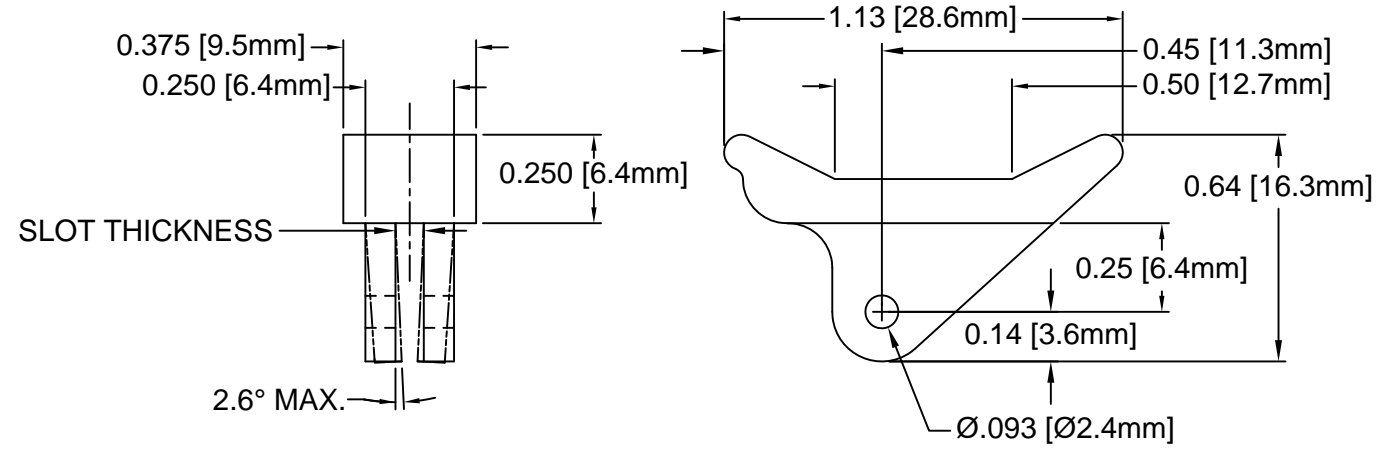
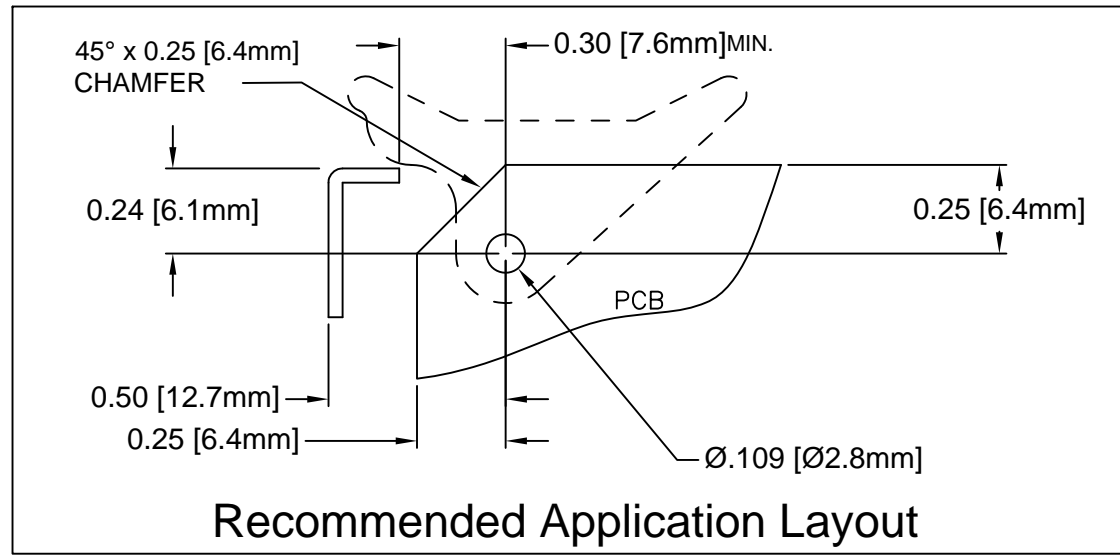


| REV. | DESCRIPTION                                  | DATE     | APPROVED |
|------|--|----------|----------|
| C    | Engineering Update w/o Changes               | 02/24/04 | M. C.    |
| D    | Updated Model                                | 02/24/09 | T. Y.    |
| E    | Added Other Available Colors, 2nd Page       | 05/10/11 | T. Y.    |
| F    | Added Notes 4, 5, 6 & Color Options Sheet #2 | 05/16/16 | J. C.    |



| PART NO. | COLOR    | ROLL PIN | SLOT THICK.<br>±.005 | CARD THICK.   |
|----------|----------|----------|----------------------|---------------|
| CP-06 NT | NATURAL  | RP-250   | 0.071                | 1/16" (1.6mm) |
| CP-06 WE | WHITE    | RP-250   |                      |               |
| CP-06 XX | SEE S.#2 | RP-250   |                      |               |
| CP-09 NT | NATURAL  | RP-250   | 0.093                | 3/32" (2.4mm) |
| CP-09 WE | WHITE    | RP-250   |                      |               |
| CP-09 XX | SEE S.#2 | RP-250   |                      |               |



**Recommended Application Layout**

5. PRE-ASSEMBLED ROLL PINS AVAILABLE UPON REQUEST.
4. ROLL PINS INCLUDED. PACKAGED SEPARATELY.
3. MATERIAL: NYLON 6/6, 94V-2, WHITE.
2. MATERIAL: NYLON 6/6, 94V-2, NATURAL.
1. GENERAL SPECIFICATIONS: BIVAR MOLDED COMPONENT SPECIFICATION BV00-E101.

|  |                          |   |  |
|--|--------------------------|---|--|
| STANDARD TOLERANCE<br>(UNLESS OTHERWISE SPECIFIED) |                          | <br>4 THOMAS, IRVINE, CA. 92618<br>TEL: (949) 951-8808 FAX: (949) 951-3974        |  |
| DECIMALS   | ANGULAR                  |   |  |
| .X ± .1  | X° ± 1°                  | <br><b>TITLE:</b><br>CIRCUIT BOARD CARD EJECTOR                                   |  |
| .XX ± .01  |                          |   |  |
| .XXX ± .005  |                          | <b>PART NO:</b> CP-0X <span style="float: right;"><b>REVISION:</b> F</span>       |  |
| DESIGNED:<br><b>S. Irving</b>                      | DATE:<br><b>09/15/98</b> | <b>CAGE CODE :</b> 32559 <span style="float: right;"><b>SHEET # 1 OF 2</b></span> |  |
| CHECKED:<br><b>M. Chen</b>                         | DATE:<br><b>09/23/03</b> | CAD GENERATED DOCUMENT. DO NOT MEASURE DRAWING.                                   |  |

OTHER AVAILABLE COLORS  
 \* SEE TABLE FOR ORDERING INFORMATION


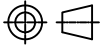
| REV. | DESCRIPTION  | DATE | APPROVED |
|------|--------------|------|----------|
|      | SEE SHEET #1 |      |          |
|      |              |      |          |
|      |              |      |          |
|      |              |      |          |

CP- 0\_ \_ \_

| CP SERIES |
|-----------|
| CP-06     |
| CP-09     |

| ORDER CODE | COLOR        |
|------------|--------------|
| AA         | AQUA         |
| BK         | BLACK        |
| BE         | BLUE         |
| BN         | BROWN        |
| FG         | FOREST GREEN |
| GY         | GRAY         |
| GN         | GREEN        |
| LE         | LIME         |
| OE         | ORANGE       |
| PK         | PINK         |
| RD         | RED          |
| VT         | VIOLET       |
| YW         | YELLOW       |

6. PARTS ARE DYED TO COLOR UPON REQUEST.

|   |                          |  |                       |
|---|--------------------------|--|-----------------------|
| STANDARD TOLERANCE<br>( UNLESS OTHERWISE SPECIFIED )<br>DECIMALS                      ANGULAR |                          | <br>4 THOMAS, IRVINE, CA. 92618<br>TEL: (949) 951-8808    FAX: (949) 951-3974 |                       |
|          |                          |  |                       |
| DESIGNED:<br><b>S. Irving</b>   | DATE:<br><b>09/15/98</b> | <b>TITLE:</b><br>CIRCUIT BOARD CARD EJECTOR  |                       |
| CHECKED:<br><b>M. Chen</b>  | DATE:<br><b>09/23/03</b> | <b>PART NO:</b><br>CP-0X   | REVISION:<br><b>F</b> |
|   |                          | <b>CAGE CODE :</b> 32559   | <b>SHEET # 2 OF 2</b> |
| CAD GENERATED DOCUMENT. DO NOT MEASURE DRAWING.   |                          |  |                       |