



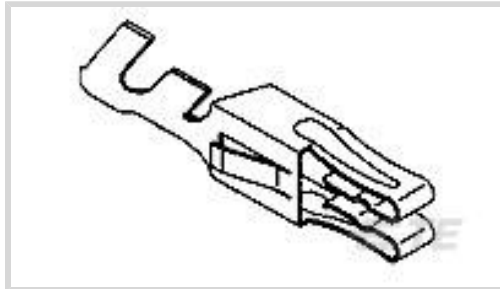
AMP

TE Internal #: 5-530517-2

Socket Contact, Tin, Locking Lance Contact Retention, 16 - 14 AWG Wire Size, 1.25 - 2 mm<sup>2</sup> Wire Size, 2580 - 4110 CMA Wire Size, Crimp, Copper Alloy

[View on TE.com >](#)

Connectors > Contacts > Connector Contacts



Contact Type: **Socket**

Contact Mating Area Plating Material: **Tin**

Wire Contact Termination Area Plating Material: **Tin**

Contact Retention Within Housing: **With**

Contact Retention Type Within Housing: **Locking Lance**

**Features**

**Contact Features**

Wire Contact Termination Area Plating Material Finish	Matte
Contact Mating Area Plating Material Finish	Matte
Contact Type	Socket
Contact Mating Area Plating Material	Tin
Wire Contact Termination Area Plating Material	Tin
Contact Retention Within Housing	With
Contact Base Material	Copper Alloy

**Termination Features**

Termination Method to Wire & Cable	Crimp
Product Terminates To	Wire & Cable

**Mechanical Attachment**

Contact Retention Type Within Housing	Locking Lance
---------------------------------------	---------------

**Dimensions**

Compatible Insulation Diameter Range	2.29 - 3.68 mm [.09 - .145 in]
Wire Size	2580 - 4110 CMA

**Operation/Application**

Circuit Application	Power & Signal
---------------------	----------------

**Packaging Features**



Packaging Quantity	1500
Packaging Method	Strip

### Product Compliance

[For compliance documentation, visit the product page on TE.com>](#)

EU RoHS Directive 2011/65/EU	Compliant
EU ELV Directive 2000/53/EC	Compliant
China RoHS 2 Directive MIIT Order No 32, 2016	No Restricted Materials Above Threshold
EU REACH Regulation (EC) No. 1907/2006	Current ECHA Candidate List: JAN 2024 (240) Candidate List Declared Against: JAN 2024 (240) Does not contain REACH SVHC
Halogen Content	Low Halogen - Br, Cl, F, I < 900 ppm per homogenous material. Also BFR/CFR/PVC Free
Solder Process Capability	Not applicable for solder process capability

#### Product Compliance Disclaimer

This information is provided based on reasonable inquiry of our suppliers and represents our current actual knowledge based on the information they provided. This information is subject to change. The part numbers that TE has identified as EU RoHS compliant have a maximum concentration of 0.1% by weight in homogenous materials for lead, hexavalent chromium, mercury, PBB, PBDE, DBP, BBP, DEHP, DIBP, and 0.01% for cadmium, or qualify for an exemption to these limits as defined in the Annexes of Directive 2011/65/EU (RoHS2). Finished electrical and electronic equipment products will be CE marked as required by Directive 2011/65/EU. Components may not be CE marked. Additionally, the part numbers that TE has identified as EU ELV compliant have a maximum concentration of 0.1% by weight in homogenous materials for lead, hexavalent chromium, and mercury, and 0.01% for cadmium, or qualify for an exemption to these limits as defined in the Annexes of Directive 2000/53/EC (ELV). Regarding the REACH Regulation, the information TE provides on SVHC in articles for this part number is based on the latest European Chemicals Agency (ECHA) 'Guidance on requirements for substances in articles' posted at this URL: <https://echa.europa.eu/guidance-documents/guidance-on-reach>

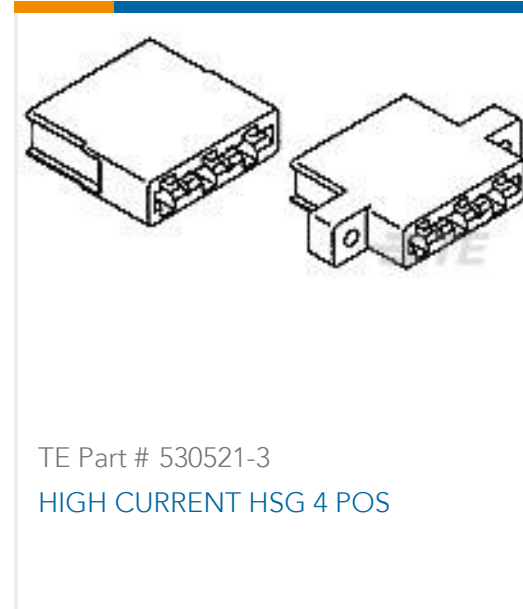
### Compatible Parts

TE Part # 530521-6  
HIGH CURRENT HSG 8 POS

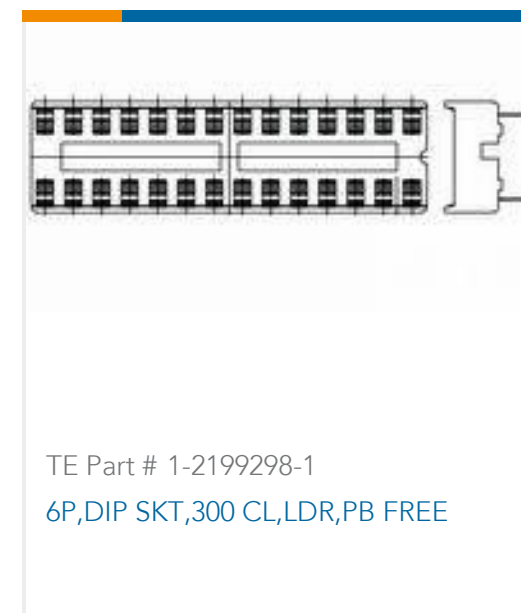
TE Part # 530521-9  
HIGH CURRENT HSG 12 POS

TE Part # 530521-7  
HIGH CURRENT HSG 9 POS

TE Part # 1-530521-1  
HOUSING



## Customers Also Bought



## Documents

### Product Drawings

HIGH CURRENT CONT. STRIP

English

### CAD Files

3D PDF

3D

Customer View Model

ENG\_CVM\_CVM\_5-530517-2\_U.2d\_dxf.zip



English

**Customer View Model**

[ENG\\_CVM\\_CVM\\_5-530517-2\\_U.3d\\_igs.zip](#)

English

**Customer View Model**

[ENG\\_CVM\\_CVM\\_5-530517-2\\_U.3d\\_stp.zip](#)

English

By downloading the CAD file I accept and agree to the [Terms and Conditions](#) of use.

**Product Specifications**

[Application Specification](#)

English