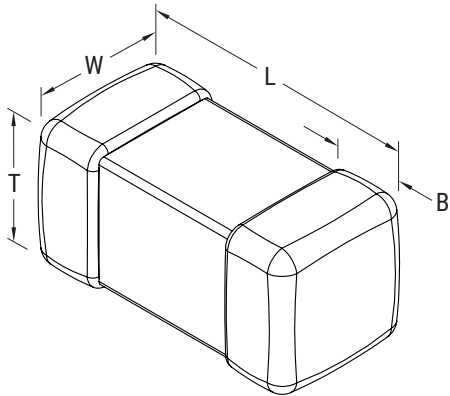


Sample Kit Contents

KEMET Part Number	Case Size	Capacitance	Cap Tolerance	Rated Voltage	Dielectric	Quantity
	EIA/Metric	(pF)	%	(V)		
CBR04C108BAGAC	0402 / 1005	0.1	±0.1 pF	250	COG	100
CBR04C208BAGAC	0402 / 1005	0.2	±0.1 pF	250	COG	100
CBR04C308BAGAC	0402 / 1005	0.3	±0.1 pF	250	COG	100
CBR04C408BAGAC	0402 / 1005	0.4	±0.1 pF	250	COG	100
CBR04C508BAGAC	0402 / 1005	0.5	±0.1 pF	250	COG	100
CBR04C608BAGAC	0402 / 1005	0.6	±0.1 pF	250	COG	100
CBR04C708BAGAC	0402 / 1005	0.7	±0.1 pF	250	COG	100
CBR04C808BAGAC	0402 / 1005	0.8	±0.1 pF	250	COG	100
CBR04C908BAGAC	0402 / 1005	0.9	±0.1 pF	250	COG	100
CBR04C109BAGAC	0402 / 1005	1.0	±0.1 pF	250	COG	100
CBR04C129BAGAC	0402 / 1005	1.2	±0.1 pF	250	COG	100
CBR04C159BAGAC	0402 / 1005	1.5	±0.1 pF	250	COG	100
CBR04C189BAGAC	0402 / 1005	1.8	±0.1 pF	250	COG	100
CBR04C209BAGAC	0402 / 1005	2.0	±0.1 pF	250	COG	100
CBR04C229BAGAC	0402 / 1005	2.2	±0.1 pF	250	COG	100
CBR04C279BAGAC	0402 / 1005	2.7	±0.1 pF	250	COG	100
CBR04C309BAGAC	0402 / 1005	3.0	±0.1 pF	250	COG	100
CBR04C339BAGAC	0402 / 1005	3.3	±0.1 pF	250	COG	100
CBR04C399BAGAC	0402 / 1005	3.9	±0.1 pF	250	COG	100
CBR04C409BAGAC	0402 / 1005	4.0	±0.1 pF	250	COG	100
CBR04C479BAGAC	0402 / 1005	4.7	±0.1 pF	250	COG	100
CBR04C509CAGAC	0402 / 1005	5.0	±0.25 pF	250	COG	100
CBR04C569CAGAC	0402 / 1005	5.6	±0.25 pF	250	COG	100
CBR04C609CAGAC	0402 / 1005	6.0	±0.25 pF	250	COG	100
CBR04C689CAGAC	0402 / 1005	6.8	±0.25 pF	250	COG	100
CBR04C709CAGAC	0402 / 1005	7.0	±0.25 pF	250	COG	100
CBR04C759CAGAC	0402 / 1005	7.5	±0.25 pF	250	COG	100
CBR04C809CAGAC	0402 / 1005	8.0	±0.25 pF	250	COG	100
CBR04C829CAGAC	0402 / 1005	8.2	±0.25 pF	250	COG	100
CBR04C909CAGAC	0402 / 1005	9.0	±0.25 pF	250	COG	100
CBR04C100JAGAC	0402 / 1005	10.0	5%	250	COG	100
CBR04C120JAGAC	0402 / 1005	12.0	5%	250	COG	100
CBR04C150JAGAC	0402 / 1005	15.0	5%	250	COG	100
CBR04C180JAGAC	0402 / 1005	18.0	5%	250	COG	100
CBR04C220JAGAC	0402 / 1005	22.0	5%	250	COG	100
CBR04C270JAGAC	0402 / 1005	27.0	5%	250	COG	100
CBR04C330JAGAC	0402 / 1005	33.0	5%	250	COG	100
CBR04C390JAGAC	0402 / 1005	39.0	5%	250	COG	100
CBR04C470JAGAC	0402 / 1005	47.0	5%	250	COG	100
CBR04C560JAGAC	0402 / 1005	56.0	5%	250	COG	100
CBR04C680JAGAC	0402 / 1005	68.0	5%	250	COG	100
CBR04C820JAGAC	0402 / 1005	82.0	5%	250	COG	100
CBR04C101JAGAC	0402 / 1005	100.0	5%	250	COG	100
KEMET Part Number	Case Size	Capacitance	Cap Tolerance	Rated Voltage	Dielectric	Quantity

Dimensions – Millimeters (Inches)



Case Size (in.)	Case Size (mm)	L Length	W Width	T Thickness	B Bandwidth	Mounting Technique
0402	1005	1.00 ±0.05 (0.040 ±0.002)	0.50 ±0.05 (0.020 ±0.002)	0.50 ±0.05 (0.020 ±0.002)	0.25 +0.05/-0.10 (0.010 +0.002/-0.004)	Solder Reflow Only

KEMET Electronics Corporation Sales Offices

For a complete list of our global sales offices, please visit www.kemet.com/sales.

Disclaimer

YAGEO Corporation and its affiliates do not recommend the use of commercial or automotive grade products for high reliability applications or manned space flight.

All product specifications, statements, information and data (collectively, the "Information") in this datasheet are subject to change. The customer is responsible for checking and verifying the extent to which the Information contained in this publication is applicable to an order at the time the order is placed. All Information given herein is believed to be accurate and reliable, but it is presented without guarantee, warranty, or responsibility of any kind, expressed or implied.

Statements of suitability for certain applications are based on KEMET Electronics Corporation's ("KEMET") knowledge of typical operating conditions for such applications, but are not intended to constitute – and KEMET specifically disclaims – any warranty concerning suitability for a specific customer application or use. The Information is intended for use only by customers who have the requisite experience and capability to determine the correct products for their application. Any technical advice inferred from this Information or otherwise provided by KEMET with reference to the use of KEMET's products is given gratis, and KEMET assumes no obligation or liability for the advice given or results obtained.

Although KEMET designs and manufactures its products to the most stringent quality and safety standards, given the current state of the art, isolated component failures may still occur. Accordingly, customer applications which require a high degree of reliability or safety should employ suitable designs or other safeguards (such as installation of protective circuitry or redundancies) in order to ensure that the failure of an electrical component does not result in a risk of personal injury or property damage.

Although all product-related warnings, cautions and notes must be observed, the customer should not assume that all safety measures are indicated or that other measures may not be required.

KEMET is a registered trademark of KEMET Electronics Corporation.