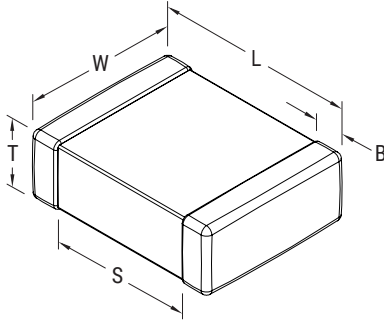


Flexible Termination System (FT-CAP), COG & X7R Dielectrics

Sample Kit Contents

KEMET Part Number	Case Size	Capacitance	Cap Tolerance	Rated Voltage	T Thickness	Dielectric	Quantity
	EIA/Metric		%	VDC	mm		
C0603X101J1GACTU	0603/1608	100 pF	±5	100	0.80 ±0.07	COG	50
C0603X102J5GACTU	0603/1608	1000 pF	±5	50	0.80 ±0.07	COG	50
C0603X332J1GACTU	0603/1608	3300 pF	±5	100	0.80 ±0.07	COG	50
C0603X472J1GACTU	0603/1608	4700 pF	±5	100	0.80 ±0.07	COG	50
C0603X103J3GACTU	0603/1608	10000 pF	±5	25	0.80 ±0.07	COG	50
C0805X470J1GACTU	0805/2012	47 pF	±5	100	0.78 ±0.10	COG	50
C0805X101J2GACTU	0805/2012	100 pF	±5	200	0.78 ±0.10	COG	50
C0805X471J1GACTU	0805/2012	470 pF	±5	100	0.78 ±0.10	COG	50
C0805X102J5GACTU	0805/2012	1000 pF	±5	50	0.78 ±0.10	COG	50
C0805X103J5GACTU	0805/2012	10000 pF	±5	50	0.78 ±0.10	COG	50
C1206X101J2GACTU	1206/3216	100 pF	±5	200	0.78 ±0.10	COG	50
C1206X221J2GACTU	1206/3216	220 pF	±5	200	0.78 ±0.10	COG	50
C1206X471J2GACTU	1206/3216	470 pF	±5	200	0.78 ±0.10	COG	50
C1206X102J2GACTU	1206/3216	1000 pF	±5	200	0.78 ±0.10	COG	50
C1206X104J3GACTU	1206/3216	0.10 µF	±5	25	1.60 ±0.20	COG	50
C1210X682J5GACTU	1210/3225	6800 pF	±5	50	0.78 ±0.10	COG	50
C1210X103J1GACTU	1210/3225	10000 pF	±5	100	1.10 ±0.10	COG	50
C1210X224J3GACTU	1210/3225	0.22 µF	±5	25	2.10 ±0.20	COG	50
C0603X102K2RACTU	0603/1608	1000 pF	±10	200	0.80 ±0.07	X7R	50
C0603X103K1RACTU	0603/1608	10000 pF	±10	100	0.80 ±0.07	X7R	50
C0603X223K5RACTU	0603/1608	22000 pF	±10	50	0.80 ±0.07	X7R	50
C0603X473K5RACTU	0603/1608	47000 pF	±10	50	0.80 ±0.07	X7R	50
C0603X104K5RACTU	0603/1608	0.10 µF	±10	50	0.80 ±0.07	X7R	50
C0805X102K2RACTU	0805/2012	1000 pF	±10	200	0.78 ±0.10	X7R	50
C0805X103K2RACTU	0805/2012	10000 pF	±10	200	0.78 ±0.10	X7R	50
C0805X104K5RACTU	0805/2012	0.10 µF	±10	50	0.78 ±0.10	X7R	50
C0805X224K5RACTU	0805/2012	0.22 µF	±10	50	0.90 ±0.10	X7R	50
C0805X225K4RACTU	0805/2012	2.2 µF	±10	16	1.25 ±0.15	X7R	50
C1206X102K2RACTU	1206/3216	1000 pF	±10	200	0.78 ±0.10	X7R	50
C1206X103K3RACTU	1206/3216	10000 pF	±10	25	0.78 ±0.10	X7R	50
C1206X104K1RACTU	1206/3216	0.10 µF	±10	100	0.78 ±0.10	X7R	50
C1206X105K3RACTU	1206/3216	1.0 µF	±10	25	1.60 ±0.15	X7R	50
C1206X106K4RACTU	1206/3216	10 µF	±10	16	1.60 ±0.20	X7R	50
C1210X103K2RACTU	1210/3225	10000 pF	±10	200	0.78 ±0.10	X7R	50
C1210X104K1RACTU	1210/3225	0.10 µF	±10	100	0.95 ±0.10	X7R	50
C1210X105K1RACTU	1210/3225	1.0 µF	±10	100	1.70 ±0.20	X7R	50
C1210X226K8RACTU	1210/3225	22 µF	±10	10	2.50 ±0.30	X7R	50

Dimensions – Millimeters (Inches)



Case Size (in.)	Case Size (mm)	L Length	W Width	T Thickness	B Bandwidth	S Separation Minimum	Mounting Technique
0603	1608	1.60 (0.064) ±0.17 (0.007)	0.80 (0.032) ±0.15 (0.006)	See Table Above	0.45 (0.018) ±0.15 (0.006)	0.58 (0.023)	Solder Wave or Solder Reflow
0805	2012	2.00 (0.079) ±0.20 (0.008)	1.25 (0.049) ±0.20 (0.008)		0.50 (0.02) ±0.25 (0.010)	0.75 (0.030)	
1206	3216	3.20 (0.126) ±0.20 (0.008)	1.60 (0.063) ±0.20 (0.008)		0.50 (0.02) ±0.25 (0.010)	N/A	Solder Reflow Only
1210	3225	3.20 (0.126) ±0.20 (0.008)	2.50 (0.098) ±0.20 (0.008)				

KEMET Electronics Corporation Sales Offices

For a complete list of our global sales offices, please visit www.kemet.com/sales.

Disclaimer

YAGEO Corporation and its affiliates do not recommend the use of commercial or automotive grade products for high reliability applications or manned space flight.

All product specifications, statements, information and data (collectively, the "Information") in this datasheet are subject to change. The customer is responsible for checking and verifying the extent to which the Information contained in this publication is applicable to an order at the time the order is placed. All Information given herein is believed to be accurate and reliable, but it is presented without guarantee, warranty, or responsibility of any kind, expressed or implied.

Statements of suitability for certain applications are based on KEMET Electronics Corporation's ("KEMET") knowledge of typical operating conditions for such applications, but are not intended to constitute – and KEMET specifically disclaims – any warranty concerning suitability for a specific customer application or use. The Information is intended for use only by customers who have the requisite experience and capability to determine the correct products for their application. Any technical advice inferred from this Information or otherwise provided by KEMET with reference to the use of KEMET's products is given gratis, and KEMET assumes no obligation or liability for the advice given or results obtained.

Although KEMET designs and manufactures its products to the most stringent quality and safety standards, given the current state of the art, isolated component failures may still occur. Accordingly, customer applications which require a high degree of reliability or safety should employ suitable designs or other safeguards (such as installation of protective circuitry or redundancies) in order to ensure that the failure of an electrical component does not result in a risk of personal injury or property damage.

Although all product-related warnings, cautions and notes must be observed, the customer should not assume that all safety measures are indicated or that other measures may not be required.

KEMET is a registered trademark of KEMET Electronics Corporation.