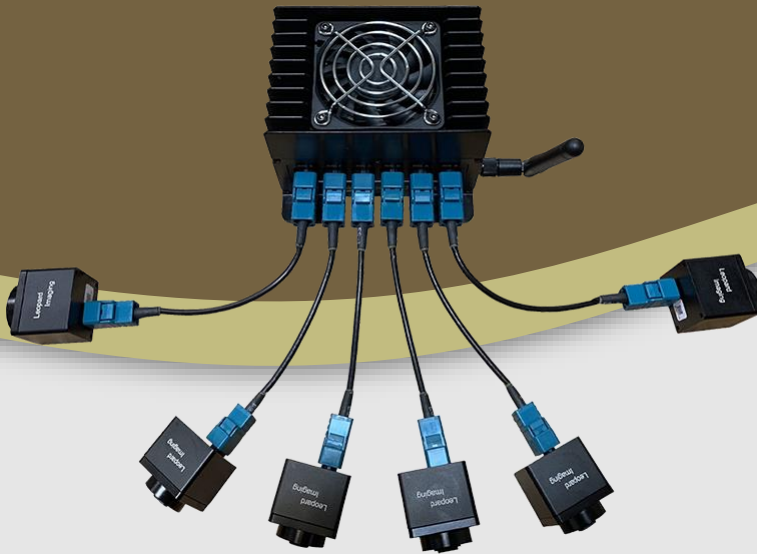




LI-TX2B-IMX390-GMSL2-xxxH-X

aws qualified device



Address:

910 Auburn Ct
Fremont, CA 94538
USA



Phone:

+1 (408)263-0988

Fax:

+1 (408)217-1960



Sales:

sales@leopardimaging.com

Support:

support@leopardimaging.com

KEY FEATURES

- Nvidia Jetson TX2 SOM included
- Supports up to six GMSL2 cameras
- Sony Diagonal 6.67 mm (Type 1/2.7) CMOS RGGB Image Sensor IMX390
- Pixel size: 3.0 x 3.0 μm
- Lens: FOV H 60° / 120° / 200°
- Resolution: 1920 (H) x 1080 (V)
- GMSL2 serializer and De-serializer included
- Connector: FAKRA Z TYPE
- Length of Fakra cable: 3 meters
- Multiple length Fakra cables supported
- M12 lens
- TX2 driver binary and source code included

APPLICATIONS

- IoT Camera
- Machine Vision
- 1080P Video Applications

BOM

#	Items	QTY
1	LI-TX2-BOX1-GMSL2	1
2	FAK-SMZSMZ 3M	2, 4 or 6
3	LI-IMX390-GMSL2-xxxH	2, 4 or 6
4	LI-PS12-02	1

PART#

xxxH refers to 060H, 120H or 200H

2 CAM	LI-TX2B-IMX390-GMSL2-xxxH-D
4 CAM	LI-TX2B-IMX390-GMSL2-xxxH-Q
6 CAM	LI-TX2B-IMX390-GMSL2-xxxH-H


Ordering Information

● PART#: LI-TX2B-IMX390-GMSL2-xxxH-X

xxxH refers to 060H (FOV H 60°), 120H (FOV H 120°), 200H (FOV H 200°)

LI-TX2B-IMX390-GMSL2-060H-X

Lens: M127B0618WR2
Lens EFL: 6.0 mm
Field of View (FOV): 74.5° (D) / 60.6° (H) / 36.1° (V)
Mount: M12

LI-TX2B-IMX390-GMSL2-120H-X	LI-TX2B-IMX390-GMSL2-200H-X
	
Lens: M128B02820WM12R1	Lens: E7393E-R8
Lens EFL: 2.8 mm	Lens EFL: 0.95 mm \pm 5%
Field of View (FOV): 148° (D) / 122° (H) / 74° (V)	Field of View (FOV): 200° (H)
Mount: M12	Mount: M12

LI-IMX390-GMSL2-xxxH

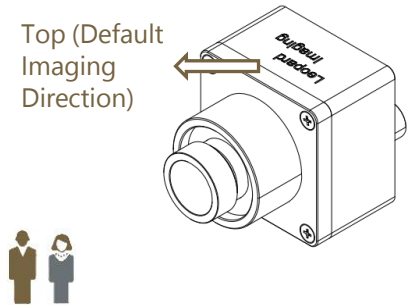


KEY FEATURES

Sensor	Sony Diagonal 6.67 mm CMOS RGGB Image Sensor IMX390
Optical Format	1/2.7"
Resolution	1937 (H) x 1217 (V) (active pixels)
Pixel Size	3.0 x 3.0 μm
Data Format	20-bit / 12-bit RAW data
Color / Mono	Color sensor
Lens	FOV H 60° / 120° / 200°
Serializer	Maxim MAX9295A/B
IP Rating	060H / 120H: IP67 200H: TBD
Power Supply Range	9 ~ 19 VDC
Interface	GMSL2 Serial interface
Operating Temp	-40°C ~ +85°C
Storage Temp	-40°C ~ +85°C
Weight	~ 45 g
Part#	LI-IMX390-GMSL2-xxxH

DEFAULT IMAGING DIRECTION

- The logo "Leopard Imaging" is on the TOP.



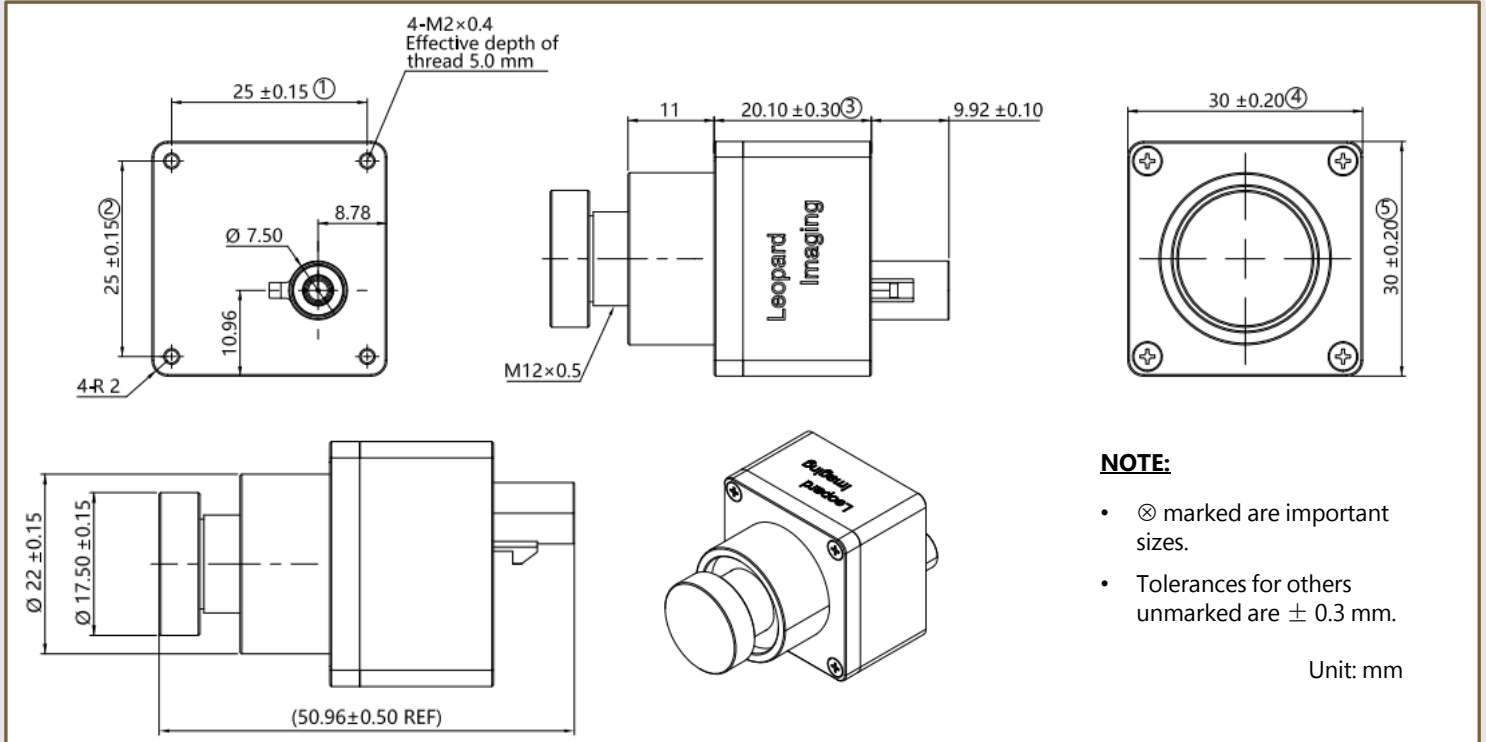
CABLE CONNECTOR

- Housing Connector: FAKRA Z Type
- Cable Length: 3 meters
- Cable Part#: FAK-SMZSMZ-3M

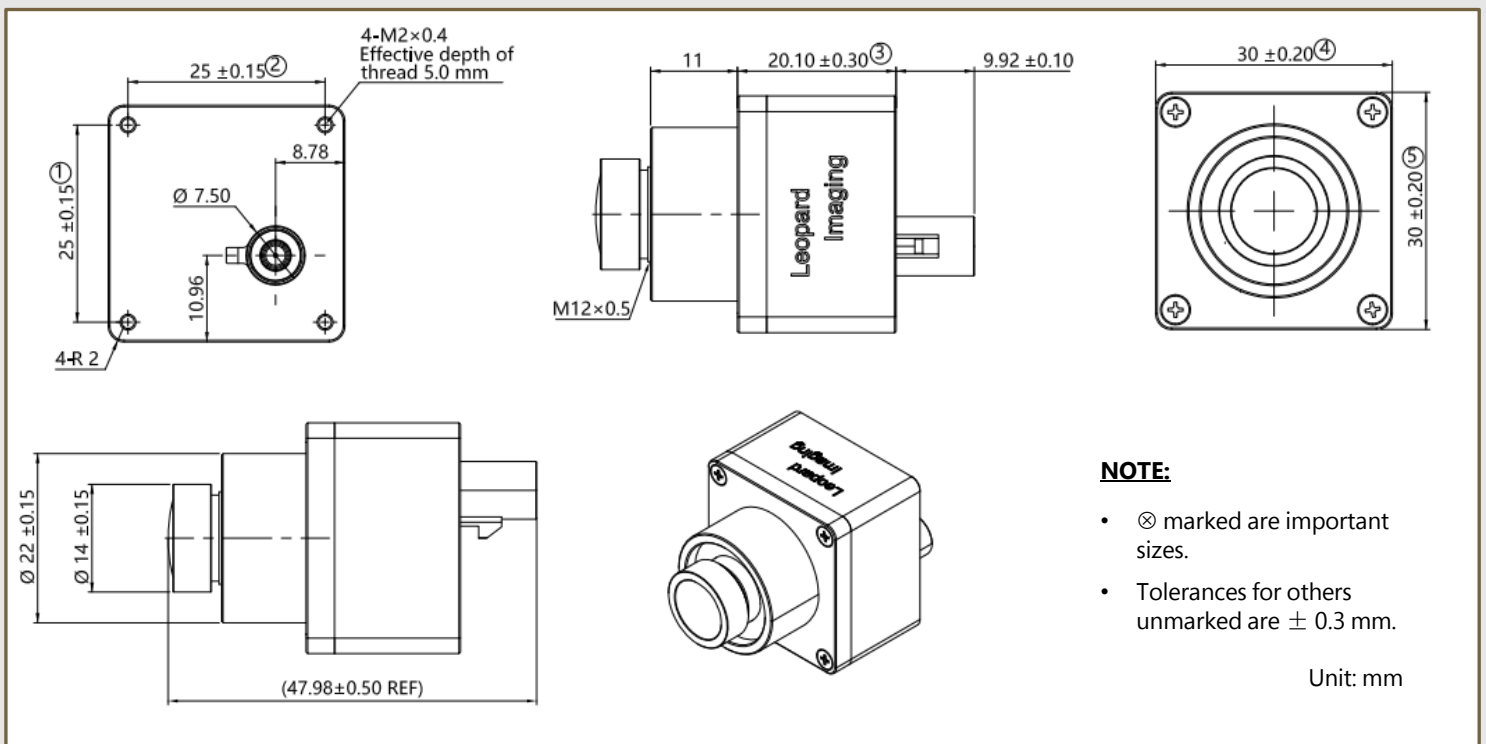


LI-IMX390-GMSL2-xxxH

DIMENSIONS: LI-IMX390-GMSL2-060H

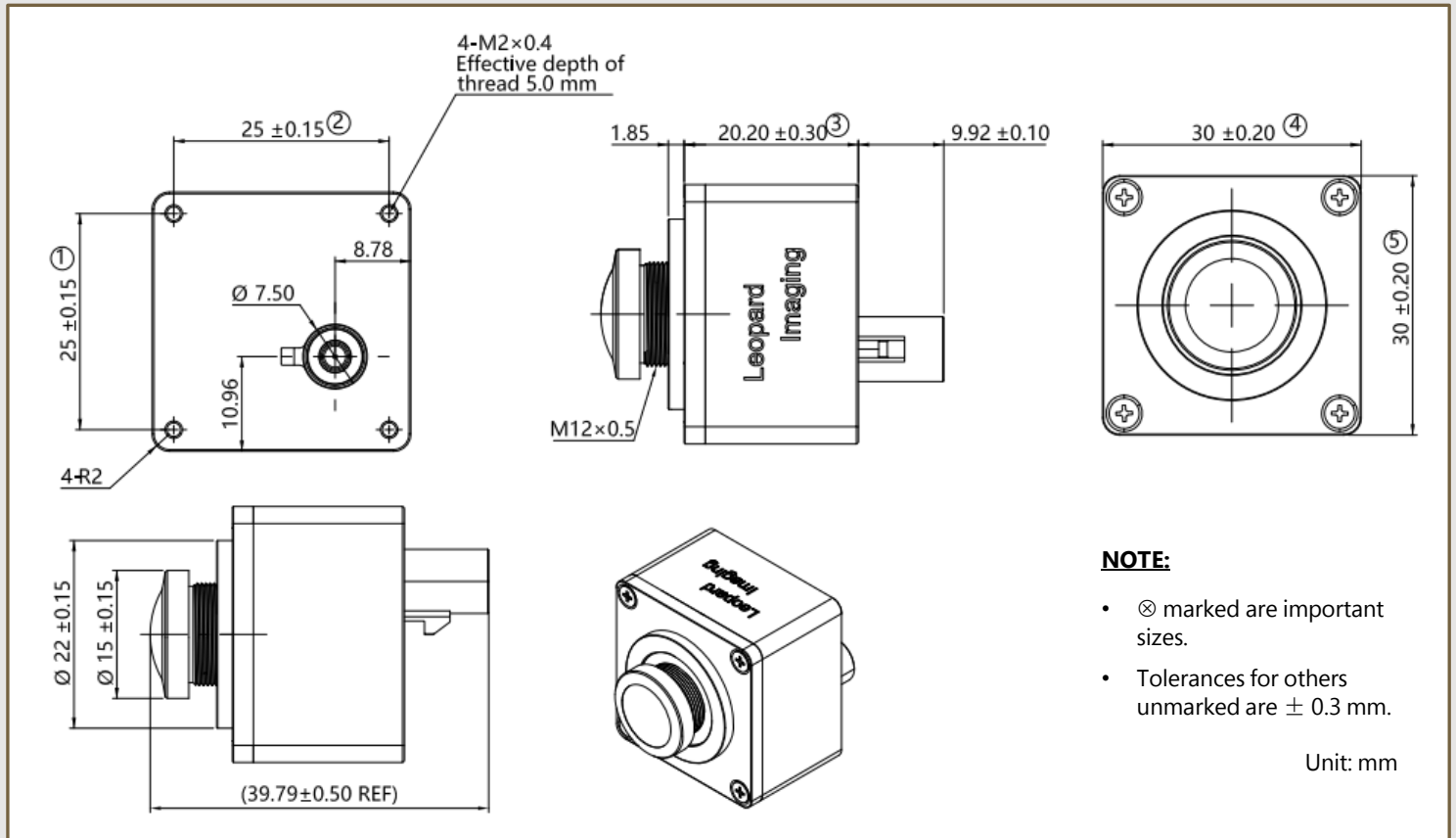


DIMENSIONS: LI-IMX390-GMSL2-120H



LI-IMX390-GMSL2-xxxH

DIMENSIONS: LI-IMX390-GMSL2-200H



LI-TX2-BOX1-GMSL2

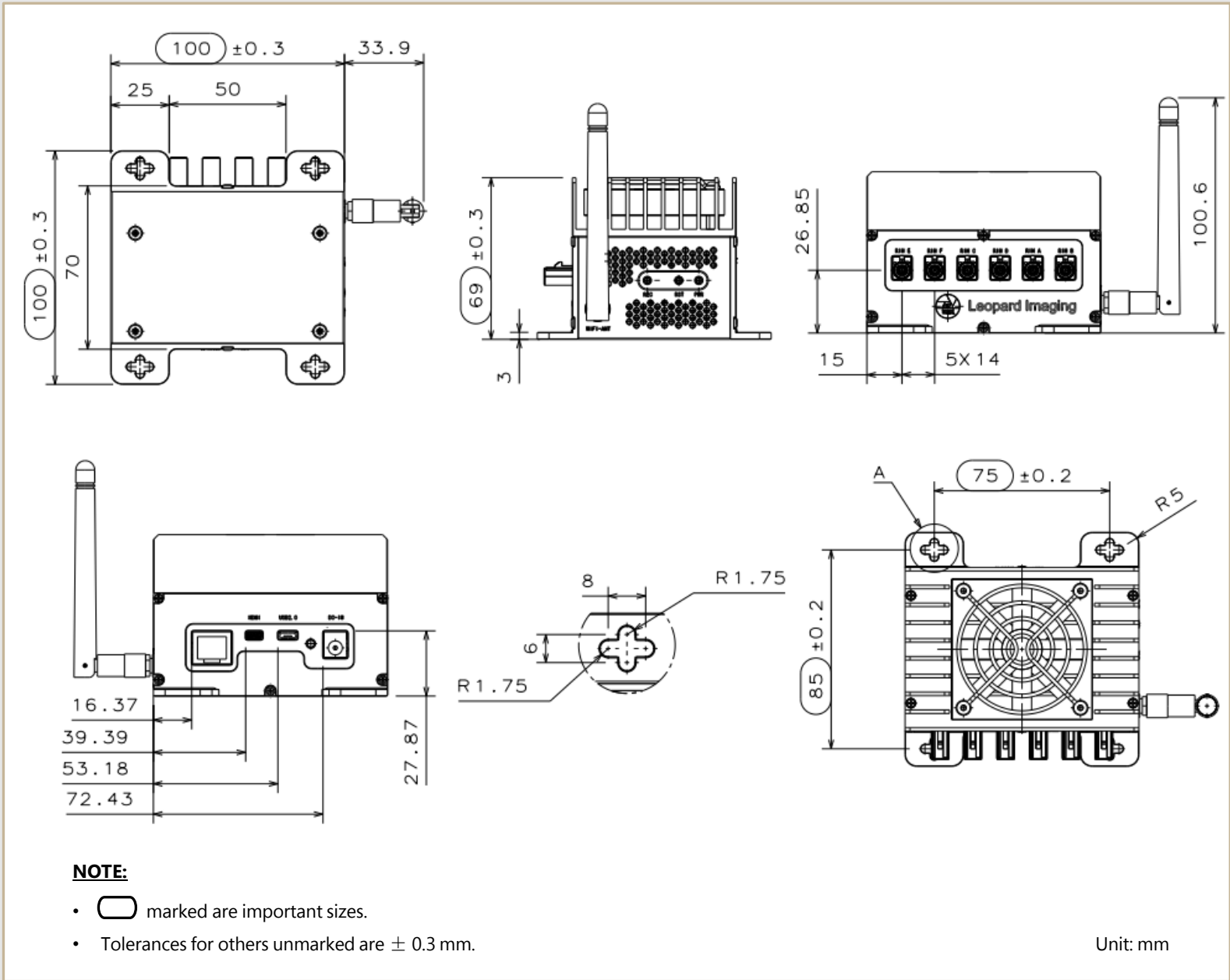


TECHNICAL DETAILS

- Nvidia Jetson TX2 SOM included
- 6 x GMSL2 interfaces
- 1 x Micro SD card interface
- 1 x Micro HDMI connector
- 1 x Power socket (DC 12V)
- 1 x RJ45 Ethernet connector
- 1 x USB 2.0 Micro-B interface
- REC, RST and PWR buttons included
- Heat sink and fan included
- WIFI Antenna included
- Connector: FAKRA Z TYPE
- Includes 4 mounting holes
- Weight: ~ 500 g
- Size: 100 (L) x 100 (W) x 69 (D) mm (without WIFI Antenna)
- Part#: **LI-TX2-BOX1-GMSL2**

LI-TX2-BOX1-GMSL2

DIMENSIONS (With Box)



● REVISION HISTORY

Revision	Description	Release Date
1.0	First release.	23 Dec 2018
1.1	Changed 200H lens from F13B0108WM12R1 to E7393E-R8 and updated related pictures and 2D dimensions.	29 Jan 2023

910 Auburn Ct, Fremont, CA 94538, USA

Phone: +1-408-263-0988

Fax: +1-408-217-1960

Email: sales@leopardimaging.com

Website: www.leopardimaging.com

