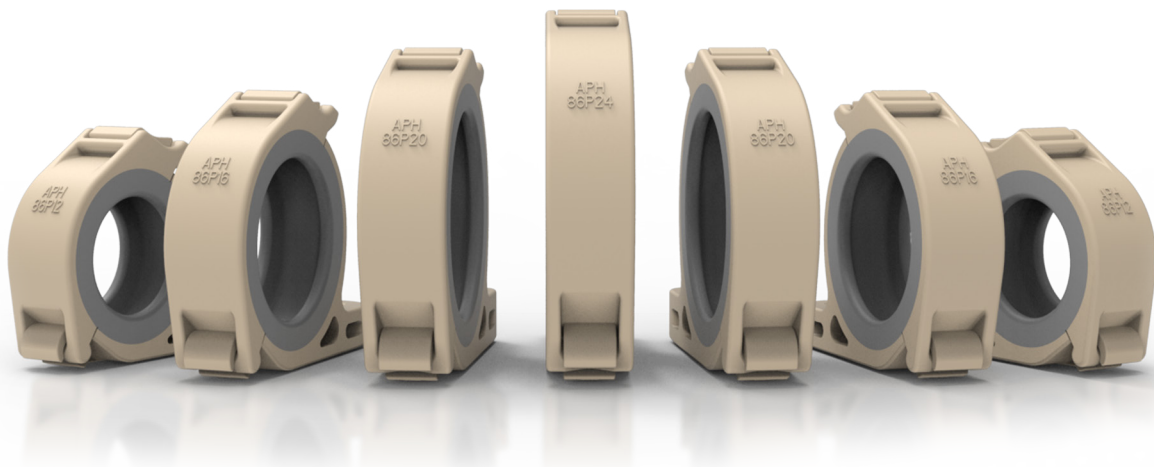




86P CLAMP

Reduce weight and installation time all while meeting or exceeding Mil-Spec & RTCA DO-160G requirements.



86P CLAMP

Overview

Engineered for lean manufacturing, the 86P Clamp was developed as a one-for-one replacement to outperform industry standard metal clamps (i.e. AS21919). Featuring key value-add design elements, including: separate locking and mounting locations, a bottom hinge for easy wire bundle installation, and a non-conductive, non-corrosive, PEEK polymer construction, the 86P Clamp is a versatile solution for anyone looking to reduce weight and installation time.

Lightweight

Reduce weight & installation time all while meeting or exceeding Mil-Spec & RTCA DO-160G requirements. Avg. 41% lighter vs AS21919 Stainless Steel and 8% lighter vs AS21919 Aluminum.

Non-Conductive & Non-Corrosive

Enjoy peace of mind throughout the service life knowing the 86P Clamp won't corrode or cause a short in your wire bundle.

Ergonomic Design

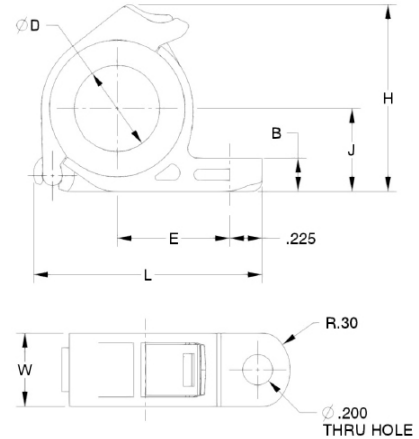
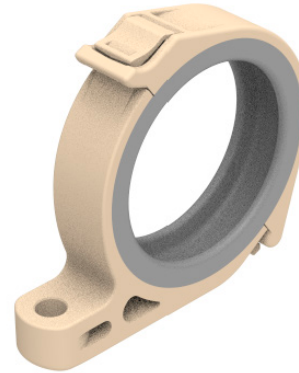
Reduce the risk of injury, frustration, and foreign objects and debris (F.O.D) present when fighting metal clamps and dropping screws during install. The 86P Clamp makes installation quick, easy, and repeatable for more efficient installations.

Installation and Re-work Time Savings

Pre-mountable design with tool-less opening & closure.

Overmolded Silicone Cushion

Increased shock & vibe performance. Also allows for more wire bundles ranges resulting in less part numbers compared to AS21929.



Specifications

Materials:

Plastic (Glass-Reinforced): Polyetheretherketone per MIL-P-46183
Elastomer protection: Silicone Rubber per ASTM-D-2000

Temperature Limits:

Operating temperature: -65°F to 350°F (-54°C to +177°C)
Excursions: Up to 500°F

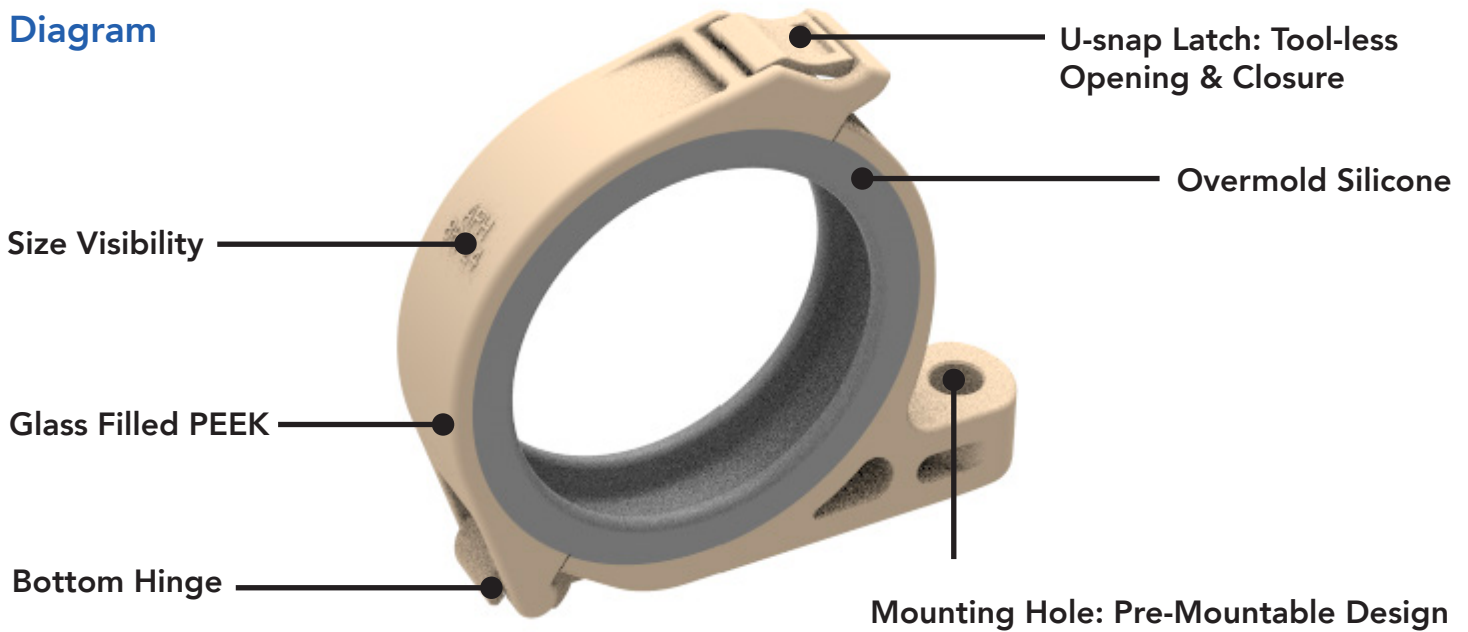
Flamability:

UL94, VO; FAR25.853

Part Number	Wire Bundle Ø (in)	ØD (in)	B (in)	E (in)	H (in)	J (in)	W (in)
APCL86P02	.125 - .249	0.094	0.130	0.498	0.671	0.268	0.450
APCL86P04	.250 - .312	0.219		0.529	0.730	0.299	
APCL86P05	.313 - .374	0.281	0.150	0.560	0.809	0.343	0.500
APCL86P06	.375 - .437	0.344		0.592	0.868	0.375	
APCL86P07	.438 - .500	0.406	0.190	0.623	0.925	0.406	0.500
APCL86P08	.501 - .562	0.469		0.654	0.990	0.443	
APCL86P09	.563 - .624	0.531	0.230	0.752	1.047	0.474	0.500
APCL86P10	.625 - .749	0.594		0.783	1.271	0.572	
APCL86P12	.750 - .874	0.719	0.260	0.845	1.405	0.644	0.500
APCL86P14	.875 - .999	0.844		0.908	1.524	0.711	
APCL86P16	1.000 - 1.124	0.969	0.330	0.970	1.640	0.774	0.500
APCL86P18	1.125 - 1.249	1.094		1.062	1.783	0.857	
APCL86P20	1.250 - 1.374	1.219	0.370	1.124	1.898	0.919	0.500
APCL86P22	1.375 - 1.499	1.344		1.187	2.019	0.988	
APCL86P24	1.500 - 1.625	1.469		1.249	2.134	1.050	

86P CLAMP

Diagram



Weight Savings

AS21919 Size Comparison	APCL86P CLAMP			
	Part Number	Weight (g)	Savings vs. AS21919, AL	Savings vs. AS21919, CRES
02	APCL86P02	2.68	7%	- 26%
03			-4%	- 43%
04	APCL86P04	2.86	-1%	- 43%
05	APCL86P05	3.39	-2%	- 39%
06	APCL86P06	3.67	-8%	- 42%
07	APCL86P07	3.94	-10%	- 46%
08	APCL86P08	5.05	5%	- 38%
09	APCL86P09	5.47	-10%	- 45%
10	APCL86P10	7.64	3%	- 38%
11			- 9%	- 42%
12	APCL86P12	8.80	- 5%	- 37%
13			- 12%	- 41%
14	APCL86P14	9.95	- 8%	- 37%
15			- 14%	- 41%
16	APCL86P16	10.79	- 12%	-39%
17			- 19%	- 45%
18	APCL86P18	13.07	- 9%	- 37%
19			- 15%	- 41%
20	APCL86P20	14.01	- 15%	- 41%
21			- 16%	- 44%
22	APCL86P22	15.41	- 10%	- 41%
23			- 12%	- 44%
24	APCL86P24	16.36	- 9%	- 43%
25			- 11%	-44%

86P CLAMP

Installation, 3 Easy Steps

Compared to the industry standard AS21919 Clamp, the 86P Clamp was demonstrated to be approximately 40% faster during the installation of a single clamp and 50% faster when installing 5 clamps at a single point.



STEP 1: Mount the 86P on a pre-mounted standoff. (Amphenol PCD Standoff recommended)



STEP 2: Insert your wire bundle



STEP 3: Snap the 86P Clamp closed by hand.

Amphenol Pcd
www.amphenolpcd.com