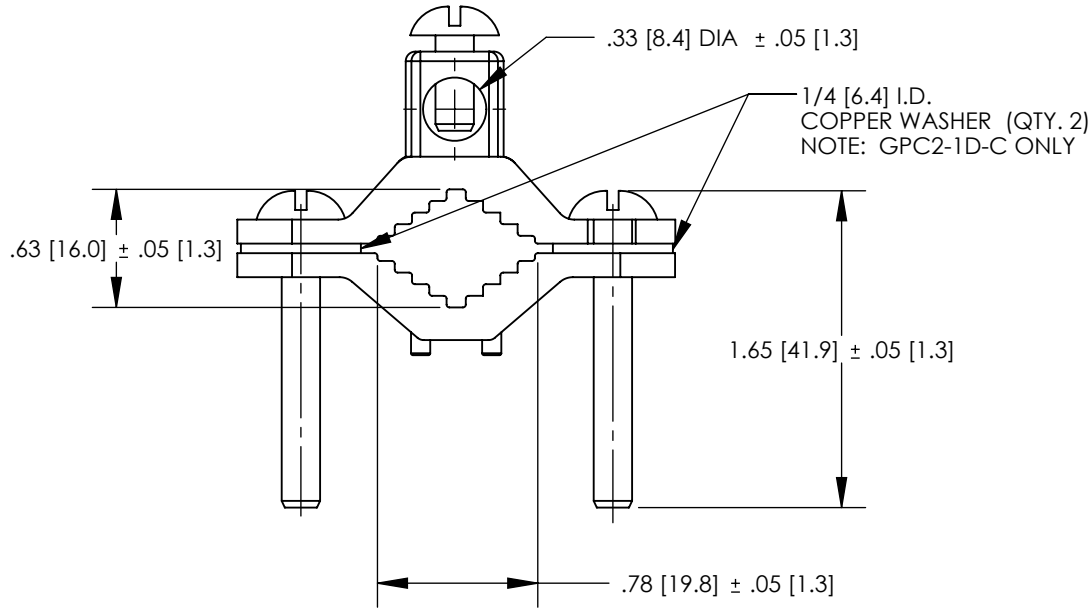
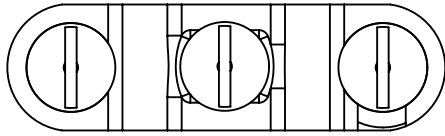


THIS COPY IS PROVIDED ON A RESTRICTED BASIS AND IS NOT TO BE USED IN ANY WAY DETRIMENTAL TO THE INTERESTS OF PANDUIT CORP.



NOTES:

1. MATERIAL:  
 BODY - BRONZE (GUN METAL)  
 SCREW - PHOS. BRONZE (GPC2-1D)  
 STEEL, ZINC PLATED (GPC2-1)
2. PARTS ARE cULus LISTED TO UL467 AS  
 GROUNDING & BONDING EQUIPMENT.
3. RATED FOR DIRECT BURIAL (GPC2-1D ONLY)
4. SEE WWW.PANDUIT.COM FOR PART NUMBER  
 SUFFIX DESIGNATION FOR PACKAGING SIZE.



**DB**   
**RATED**  
 GPC2-1D ONLY

PART NUMBER	DESCRIPTION	WATER PIPE	GROUNDING WIRE
GPC2-1	GROUND CLAMP BARE WIRE	1/2" - 1"	10 - 2 STR
GPC2-1D	GROUND CLAMP BARE WIRE FOR DIRECT BURIAL	1/2" - 1"	10 - 2 STR

REV	DATE	BY	CHK	APR	DESCRIPTION	ECN
01	6/15	JHNU	JHNU	RGB	REVISED SCREW MATERIAL: GPC2-1 WAS PHOS BRONZE GPC2-1D WAS STEEL	10J018AD-JC
00	7/12	JHNU	SRBI	RGB	DRAWING RELEASED	10J018AD-JC

TITLE BRONZE GROUND PIPE CLAMP - 1/2" - 1" (GPC2-1, GPC2-1D) CUSTOMER DRAWING	
ITEM REVISION NAME 10J018AD/01	
DATASET FILE NAME 10J018AD-JC/01.SLDDRW	
UNLESS OTHERWISE SPECIFIED, DIMENSIONAL TOLERANCES ARE: IN [mm]	
.X ± .XX ±	.XXX ± ANGLES ±
THIRD ANGLE PROJECTION	
DRAWN BY JHNU	DATE 7/12
CHK SRBI	SCALE N/A
DRAWING NUMBER 10J018AD-JC	
SHEET 1 OF 1	
SIZE A	