

G-INS-M16-M68N-SNES-S - Cable gland

1424542

<https://www.phoenixcontact.com/us/products/1424542>

Please be informed that the data shown in this PDF document is generated from our online catalog. Please find the complete data in the user documentation. Our general terms of use for downloads are valid.



Cable gland, material for screw connection: Stainless steel 1.4305, external cable diameter 5 mm ... 10 mm, shielding: no, connecting thread: M16 x 1.5, color: silver, with O-ring

Commercial data

Item number	1424542
Packing unit	1 pc
Minimum order quantity	1 pc
Sales key	BF68
Product key	BF7DAX
Catalog page	Page 692 (C-2-2019)
GTIN	4055626374475
Weight per piece (including packing)	34.2 g
Weight per piece (excluding packing)	33.8 g
Customs tariff number	73269098
Country of origin	TR

G-INS-M16-M68N-SNES-S - Cable gland

1424542

<https://www.phoenixcontact.com/us/products/1424542>

Technical data

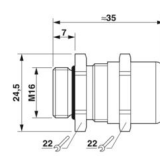
Product properties

Product type	Cable screw gland
No. of conductors	1
Manufacturer	BIMED
Manufacturer Designation	BMSC-E1
Shielded	no
Execution of the strain relief	A

Connection data

Tightening torque	... 8 Nm
-------------------	----------

Dimensions

Dimensional drawing	
Length	35 mm
Length of the connecting thread	7 mm
Hole diameter	16.1 mm ... 16.3 mm
Wrench size, union nut	22 mm
Wrench size, support	22 mm
Hexagon angular dimension	24.5 mm
Thread type connection side	M16 x 1.5
Thread pitch	1.5 mm

Material specifications

Color	Steel / stainless steel
Material Compression ring	PA 6
Seal material O-ring	Perbunan
Seal material Cable seal	CR
Material for screw connection	Stainless steel 1.4305

Cable/line

External cable diameter (Cable 1)	5 mm ... 10 mm
External cable diameter ()	6 mm ... 10 mm (for UL 514 B)

Characteristics

Category of shock impact	2
Design, Strain relief	A

Environmental and real-life conditions

G-INS-M16-M68N-SNES-S - Cable gland



1424542

<https://www.phoenixcontact.com/us/products/1424542>

Ambient conditions

Degree of protection	IP68 (5 bar, 30 min.)
	IP66
	IP69
Ambient temperature (operation)	-40 °C ... 100 °C (static)

Mounting

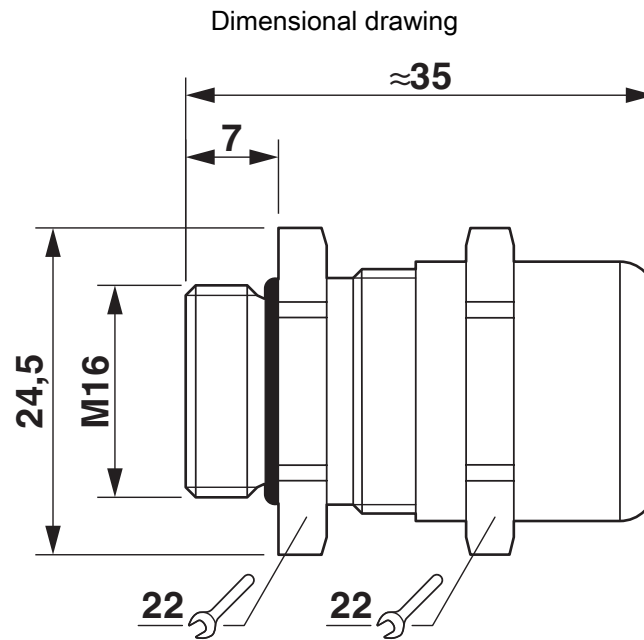
Assembly instructions	1) Mount screw connection support in the housing using the correct torque 2) Insert cable 3) Tighten union nut using the correct torque
-----------------------	---

G-INS-M16-M68N-SNES-S - Cable gland

1424542

<https://www.phoenixcontact.com/us/products/1424542>

Drawings



Dimensional drawing

G-INS-M16-M68N-SNES-S - Cable gland



1424542

<https://www.phoenixcontact.com/us/products/1424542>

Approvals

To download certificates, visit the product detail page: <https://www.phoenixcontact.com/us/products/1424542>



cUL Recognized
Approval ID: E199260



UL Recognized
Approval ID: E199260

cULus Recognized

G-INS-M16-M68N-SNES-S - Cable gland



1424542

<https://www.phoenixcontact.com/us/products/1424542>

Classifications

ECLASS

ECLASS-11.0	27144432
ECLASS-12.0	27140801
ECLASS-13.0	27140801

ETIM

ETIM 9.0	EC000441
----------	----------

UNSPSC

UNSPSC 21.0	39121300
-------------	----------

G-INS-M16-M68N-SNES-S - Cable gland



1424542

<https://www.phoenixcontact.com/us/products/1424542>

Environmental product compliance

EU RoHS

Fulfills EU RoHS substance requirements	Yes, No exemptions
---	--------------------

China RoHS

Environment friendly use period (EFUP)	EFUP-E
	No hazardous substances above the limits

EU REACH SVHC

REACH candidate substance (CAS No.)	No substance above 0.1 wt%
-------------------------------------	----------------------------

G-INS-M16-M68N-SNES-S - Cable gland



1424542

<https://www.phoenixcontact.com/us/products/1424542>

Accessories

A-INL-M16-S-S - Counter nut

1425176

<https://www.phoenixcontact.com/us/products/1425176>

Counter nut, for threads M16 x 1.5, color: silver



SEALING PLUG 8X16 RD - Closing cap

1400257

<https://www.phoenixcontact.com/us/products/1400257>

Closing cap, color: red



Phoenix Contact 2024 © - all rights reserved

<https://www.phoenixcontact.com>

Phoenix Contact USA
586 Fulling Mill Road
Middletown, PA 17057, United States
(+717) 944-1300
info@phoenixcon.com