

# G-INS-PG21-M68N-PNES-LG - Cable gland



1424490

<https://www.phoenixcontact.com/us/products/1424490>

Please be informed that the data shown in this PDF document is generated from our online catalog. Please find the complete data in the user documentation. Our general terms of use for downloads are valid.



Cable gland, material for screw connection: PA, application: Standard, external cable diameter 13 mm ... 18 mm, shielding: no, connecting thread: Pg21, color: lightgrey RAL 7035

## Your advantages

- Plastic material conforms to UL 746C f1

## Commercial data

|                                      |                     |
|--------------------------------------|---------------------|
| Item number                          | 1424490             |
| Packing unit                         | 5 pc                |
| Minimum order quantity               | 5 pc                |
| Sales key                            | BF68                |
| Product key                          | BF7DCX              |
| Catalog page                         | Page 687 (C-2-2019) |
| GTIN                                 | 4055626373201       |
| Weight per piece (including packing) | 21.5 g              |
| Weight per piece (excluding packing) | 21.5 g              |
| Customs tariff number                | 39269097            |
| Country of origin                    | TR                  |

# G-INS-PG21-M68N-PNES-LG - Cable gland



1424490

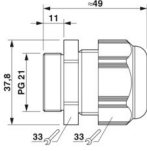
<https://www.phoenixcontact.com/us/products/1424490>

## Technical data

### Product properties

|                          |                   |
|--------------------------|-------------------|
| Product type             | Cable screw gland |
| Application              | Standard          |
| No. of conductors        | 1                 |
| Manufacturer             | BIMED             |
| Manufacturer Designation | BS-16             |
| Shielded                 | no                |

### Dimensions

|                                 |   |
|---------------------------------|---|
| Dimensional drawing             |  |
| Length                          | 49 mm   |
| Length of the connecting thread | 11 mm   |
| Hole diameter                   | 28.4 mm ... 28.6 mm   |
| Wrench size, union nut          | 33 mm   |
| Wrench size, support            | 33 mm   |
| Hexagon angular dimension       | 37.8 mm   |
| Thread type connection side     | Pg21  |

### Material specifications

|  |                       |
|--|-----------------------|
| Color                                  | light grey (RAL 7035) |
| Flammability rating according to UL 94 | V2                    |
| Seal material Cable seal               | CR                    |
| Material for screw connection          | PA                    |

### Cable/line

|                                 |                                |
|---------------------------------|--------------------------------|
| External cable diameter Cable 1 | 13 mm ... 18 mm                |
| External cable diameter         | 13 mm ... 18 mm (for UL 514 B) |

### Environmental and real-life conditions

#### Ambient conditions

|                         |                      |
|-------------------------|----------------------|
| Degree of protection    | IP66                 |
|                         | IP68 (5 bar / 0.5 h) |
| Enclosure rating (NEMA) | 1                    |
|                         | 4                    |
|                         | 4X                   |
|                         | 12                   |

# G-INS-PG21-M68N-PNES-LG - Cable gland



1424490

<https://www.phoenixcontact.com/us/products/1424490>

|                                 |                            |
|---------------------------------|----------------------------|
|                                 | 13                         |
| Ambient temperature (operation) | -40 °C ... 100 °C (static) |

## Mounting

|                       |   |
|-----------------------|---|
| Assembly instructions | 1) Mount screw connection support in the housing using the correct torque 2) Insert cable 3) Tighten union nut using the correct torque |
|-----------------------|---|

# G-INS-PG21-M68N-PNES-LG - Cable gland

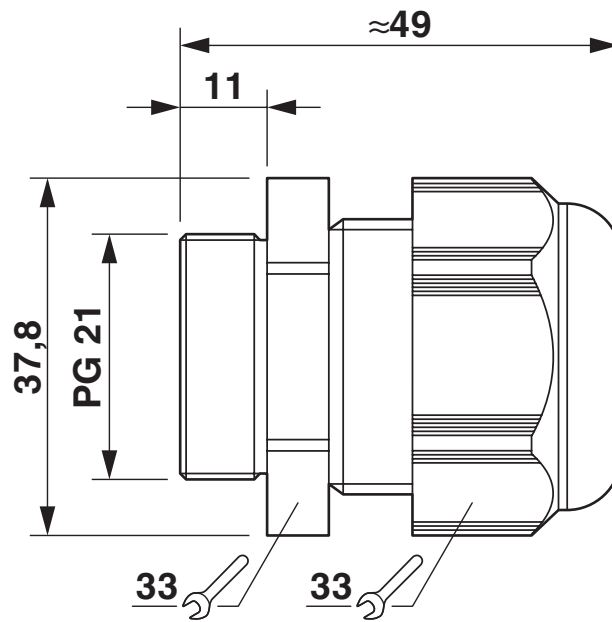
1424490

<https://www.phoenixcontact.com/us/products/1424490>



## Drawings

Dimensional drawing



Dimensional drawing

# G-INS-PG21-M68N-PNES-LG - Cable gland



1424490

<https://www.phoenixcontact.com/us/products/1424490>

## Approvals

To download certificates, visit the product detail page: <https://www.phoenixcontact.com/us/products/1424490>



**CSA**

Approval ID: 115116



**UL Listed**

Approval ID: E199260



**cUL Listed**

Approval ID: E199260

**cULus Listed**

# G-INS-PG21-M68N-PNES-LG - Cable gland



1424490

<https://www.phoenixcontact.com/us/products/1424490>

## Classifications

### ECLASS

|             |          |
|-------------|----------|
| ECLASS-11.0 | 27144432 |
| ECLASS-12.0 | 27140801 |
| ECLASS-13.0 | 27140801 |

### ETIM

|          |          |
|----------|----------|
| ETIM 9.0 | EC000441 |
|----------|----------|

### UNSPSC

|             |          |
|-------------|----------|
| UNSPSC 21.0 | 39121300 |
|-------------|----------|

# G-INS-PG21-M68N-PNES-LG - Cable gland



1424490

<https://www.phoenixcontact.com/us/products/1424490>

## Environmental product compliance

### EU RoHS

|   |                    |
|---|--------------------|
| Fulfills EU RoHS substance requirements | Yes, No exemptions |
|---|--------------------|

### China RoHS

|  |  |
|--|--|
| Environment friendly use period (EFUP) | EFUP-E                                   |
|  | No hazardous substances above the limits |

### EU REACH SVHC

|                                     |                            |
|-------------------------------------|----------------------------|
| REACH candidate substance (CAS No.) | No substance above 0.1 wt% |
|-------------------------------------|----------------------------|

# G-INS-PG21-M68N-PNES-LG - Cable gland



1424490

<https://www.phoenixcontact.com/us/products/1424490>

## Accessories

### A-INL-PG21-P-GY - Counter nut

1411226

<https://www.phoenixcontact.com/us/products/1411226>

Counter nut, for threads Pg21, color: silver-grey RAL 7001



---

### SEALING PLUG 17X17 RD - Closing cap

1421861

<https://www.phoenixcontact.com/us/products/1421861>

Closing cap, color: red



---

Phoenix Contact 2024 © - all rights reserved

<https://www.phoenixcontact.com>

Phoenix Contact USA  
586 Fulling Mill Road  
Middletown, PA 17057, United States  
(+717) 944-1300  
[info@phoenixcon.com](mailto:info@phoenixcon.com)