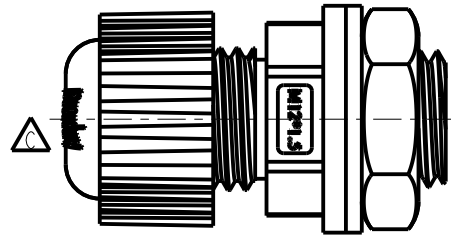
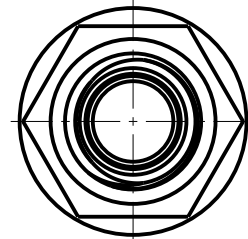
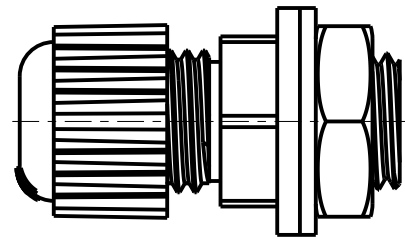
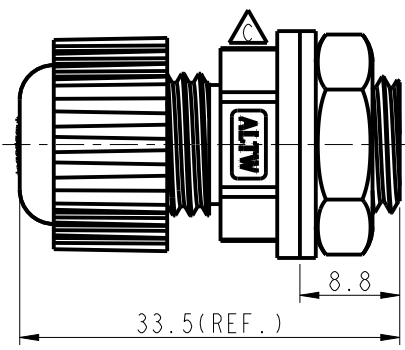
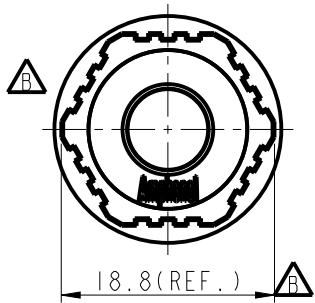
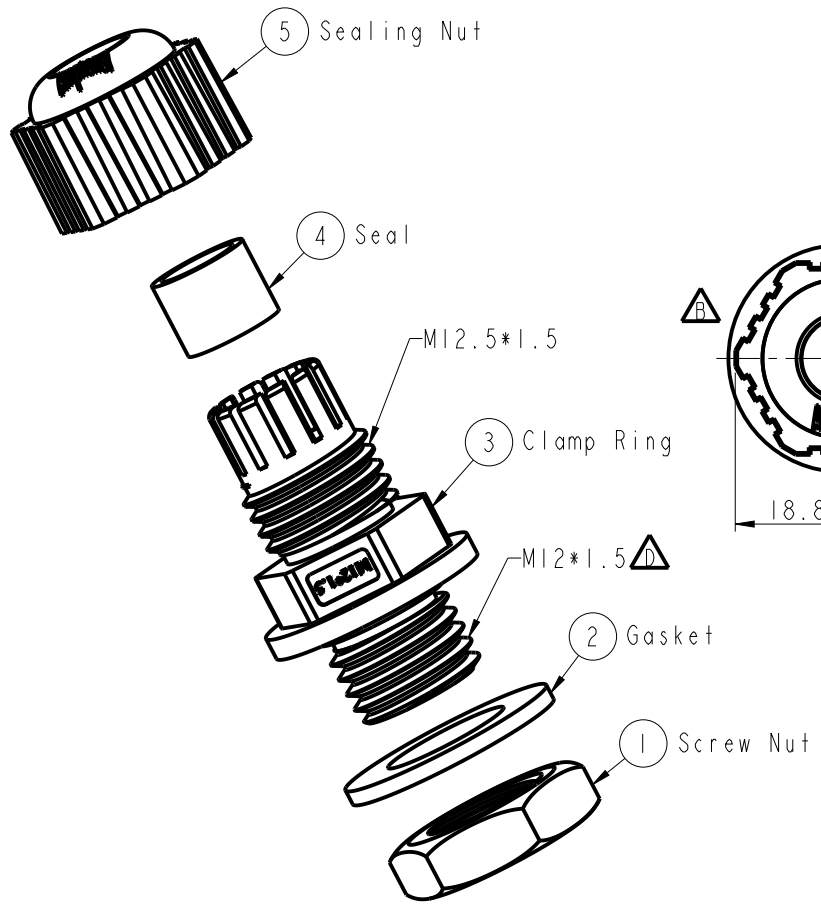
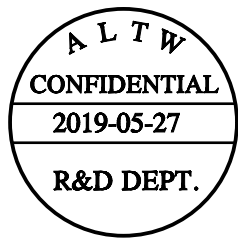


THIS DOCUMENT IS SUBJECT TO CHANGE WITHOUT NOTICE. IT IS CONFIDENTIAL AND A PROPERTY OF AMPHENOL LTW. DISCLOSURE TO THIRD PARTY HAS TO BE AUTHORIZED BY AMPHENOL LTW.

REV.	ECN NO.	DATE	SIGN	DESCRIPTION
C	LEN1510146	2015/01/07	Vicky	Update Logo
D	LEN1781525	2017/08/25	Ruru	Modify thread size M12*1.25 To M12*1.5
E	CI90091	2019/05/27	Wesley Lin	Change Note



Note:

- * Waterproof Rate: IP68
- IP68: 1M Depth Of Water In 24hours
- * Screw Nut: Nylon, Black
- * Gasket: Silicone, Gray
- * Clamp Ring: PPO, Black
- * Seal: Silicone, Gray
- * Sealing Nut: PPO, Black
- * Cable Range: $\varnothing 4.5\text{mm} \sim \varnothing 6.5\text{mm}$
- * For Panel Thickness: 3.0mm Max.
- * Spanner Size:
 - Body: 15.0mm
 - Sealing Nut: 15.0mm
 - Screw Nut: 17.0mm

UNIT:mm	
TOLERANCE	$\pm 0.5 \text{ mm}$

TITLE M12 Cable Gland			
SCALE 3:2	SIZE A4	SHEET 1 OF 1	
REV. E	WC-REV. A.3	☉: Inspection item	

Amphenol LTW
安費諾亮泰企業股份有限公司

ITEM NO CSG-12M005	DRAWN BY Wesley Lin	DATE 2019-05-27
DWG NO CSG-12M005	CHECKED BY Aric Ko	DATE 2019-05-27
CUSTOMER ALTW	APPROVED BY Max Yang	DATE 2019-05-27