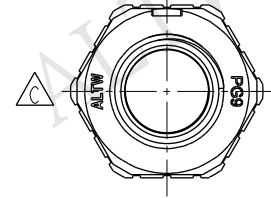
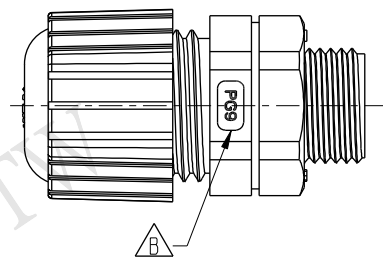
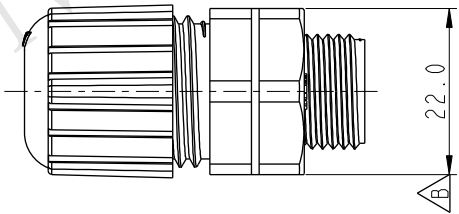
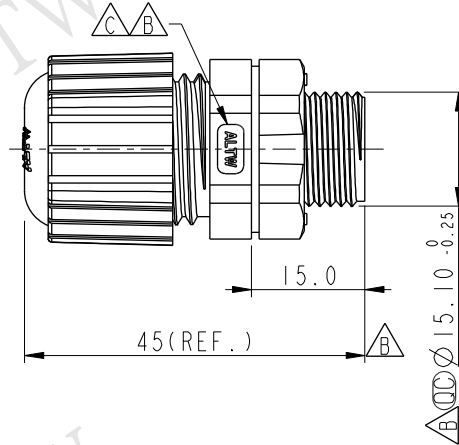
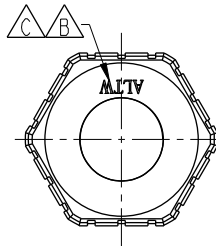
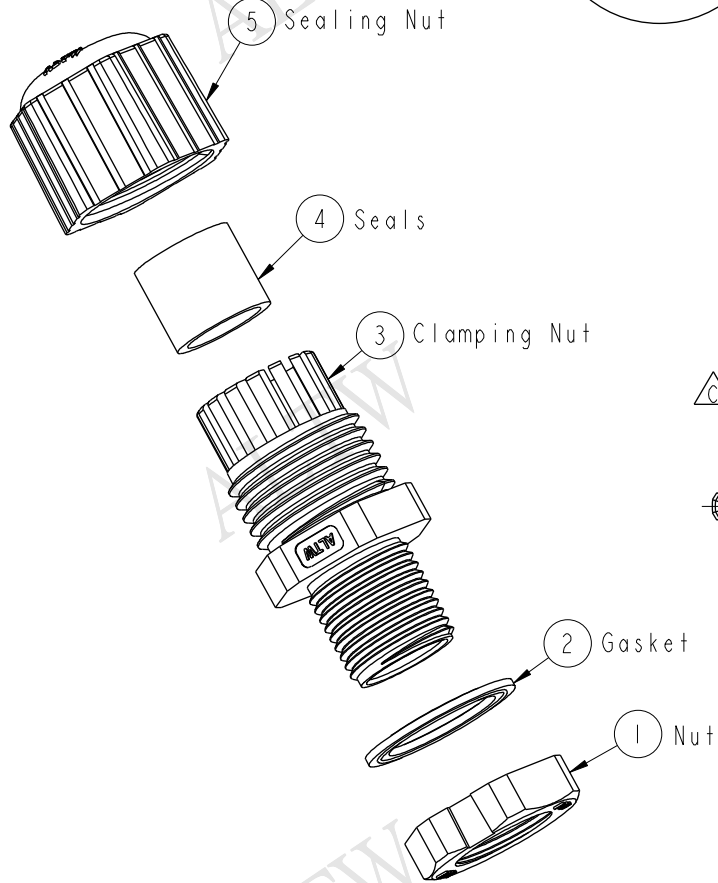
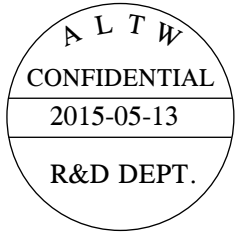


REV.	ECN NO.	DATE	SIGN	DESCRIPTION
B	ECN-0503095	2005/03/21	XLM	Ref. To ECN.Note
C	LEN1570033	2015/05/13	Ruru	Change Logo



- Note:**
- \*  $\varnothing$  Important Dimension
  - \* Nut: Nylon, Black
  - \* Gasket: EPDM, Black
  - \* Clamp Ring: Nylon, Black
  - \* Seals: EPDM, Black
  - \* Sealing Nut: Nylon, Black
  - \* Cable Range:  $\varnothing 6.0 \sim \varnothing 10.0$
  - \* For Panel Thickness: 7.5mm

UNIT: mm			TITLE PG9 Cable Glands Assembly		
TOLERANCE	.X ±0.25	.XX ±0.1	SCALE 4:5	SIZE A4	SHEET 1 OF 1
.XXX ±0.05	ANGLES ±1°	REV. C	WC-REV. A.1	$\varnothing$ : Inspection item	

**Amphenol LTW**  
安費諾亮泰企業股份有限公司

ITEM NO. CSG-09G001	DRAWN BY Ruru	DATE 2015-05-13
DWG NO. CSG-09G001	CHECKED BY Rita	DATE 2015-05-13
CUSTOMER ALTW	APPROVED BY Lion	DATE 2015-05-13

THIS DOCUMENT IS SUBJECT TO CHANGE WITHOUT NOTICE. IT IS CONFIDENTIAL AND A PROPERTY OF AMPHENOL LTW. DISCLOSURE TO THIRD PARTY HAS TO BE AUTHORIZED BY AMPHENOL LTW.