

“Stay Connected” with



Liquid Tight Cordgrips

a PennEngineering® Company



Heyco® -Tite Aluminum Liquid Tight Cordgrips

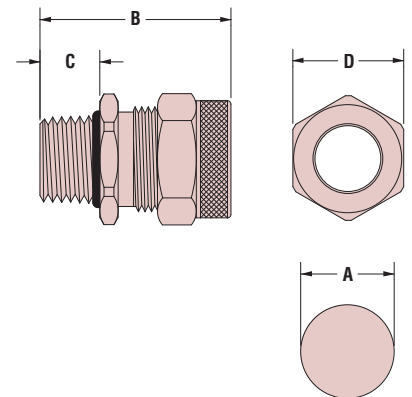
Straight-Thru, NPT Hubs

The Ultimate in Liquid Tight Strain Relief Protection

CABLE DIA. RANGE				PART NO. Machined Aluminum	THREAD SIZE	UL	PART DIMENSIONS							
Minimum		Maximum					A Clearance Hole Dia.		B Max. O.A. Length		C Thread Length		D Wrenching Flat Size	
in.	mm.	in.	mm.				in.	mm.	in.	mm.	in.	mm.	in.	mm.
.125	3,2	.188	4,8	M5029	NPT 3/4	UL	1.09	27,7	1.62	41,1	.56	14,2	1.13	28,7
.188	4,8	.250	6,4	M5030										
.250	6,4	.312	7,9	M5031										
.312	7,9	.375	9,5	M5032										
.375	9,5	.438	11,1	M5033										
.438	11,1	.500	12,7	M5034										
.500	12,7	.562	14,3	M5035										
.562	14,3	.625	15,9	M5036										
.438	11,1	.500	12,7	M5037	NPT 3/4	UL	1.09	27,7	1.82	46,2	.56	14,2	1.37	34,8
.500	12,7	.562	14,3	M5038										
.562	14,3	.625	15,9	M5039										
.562	14,3	.688	17,5	M5040										
.625	15,9	.750	19,1	M5041										
.688	17,5	.812	20,6	M5042										
.438	11,1	.562	14,3	M5050										
.562	14,3	.625	15,9	M5051										
.562	14,3	.688	17,5	M5052										
.625	15,9	.750	19,1	M5053										
.688	17,5	.812	20,6	M5054										
.750	19,1	.875	22,2	M5055										
.812	20,6	.938	23,8	M5056										
.875	22,2	1.000	25,4	M5057*										
.875	22,2	1.000	25,4	M5058	NPT 1	UL	1.38	35,1	2.50	63,5	.69	17,5	2.25	57,2
1.000	25,4	1.125	28,6	M5059										
1.125	28,6	1.250	31,8	M5060										
1.250	31,8	1.375	34,9	M5061										
.562	14,3	.688	17,5	M5062										
.688	17,5	.812	20,6	M5063										
.750	19,1	.875	22,2	M5064										
.875	22,2	1.000	25,4	M5065										
1.000	25,4	1.125	28,6	M5066										
1.125	28,6	1.250	31,8	M5067										
1.250	31,8	1.375	34,9	M5068										

Assembled O-ring **INCLUDED**. *Not UL Listed or CSA Certified.
Locknut not included - See page 3-48 for Metal Locknuts.

- **Aluminum construction** provides excellent durability and performance for most **industrial applications**.
- For use in both indoor and outdoor applications to prevent cable pull-out, control arc of bend, and to provide a tight seal against environmental elements such as dirt, moisture, and coolants.
- IP 67 rated.
- Protect cable from damage and pull-out and are used in conduit hubs or knock-outs at the point where the electrical cable is to be terminated.
- Unique design with a combination tightening surface that includes both a hex area and a knurled surface.
- Anti-friction washer allows for easier compression.
- DFARS Compliant



SUGGESTED CLEARANCE HOLE FOR NONTHEADED MOUNTING

Material	Aluminum with Neoprene Sealing Gland and Viton® O-Ring
Certifications	UL Listed under Underwriters' Laboratories File E51579 CSA Certified by Canadian Standard Association File 258093
Flammability Rating	94V-2
Temperature Range	-40°F (-40°C) to 250°F (121°C)
IP Rating	IP 67

Quick Specs