

“Stay Connected” with



Liquid Tight Cordgrips

a PennEngineering® Company

**NO O-RING
REQUIRED!**



Heyco®-Tite Liquid Tight Cordgrips

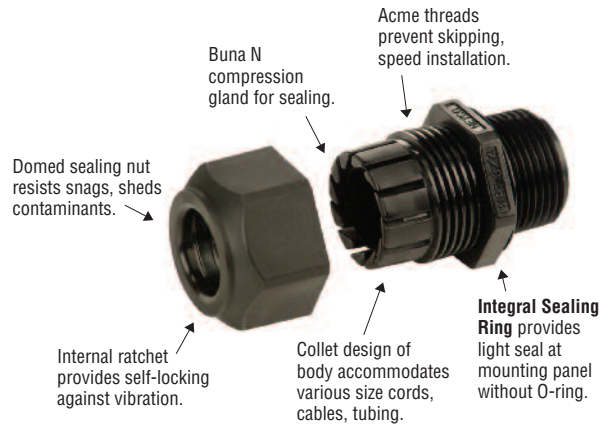
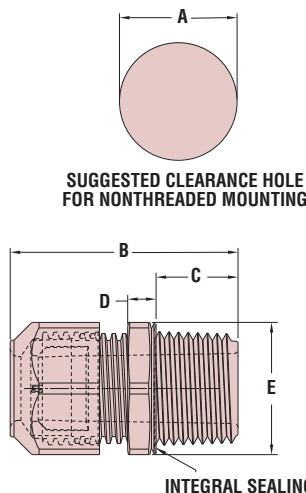
Straight-Thru, NPT Hubs with Integral Sealing Ring

The Ultimate in Liquid Tight Strain Relief Protection

- Integral Sealing Ring ensures a superior seal at the clearance or threaded mounting hole location, every time.
- Widest range of approved cable diameters. Cable ranges listed are for the maximum IP68 sealing range. Contact Heyco for UL approved 514B cable ranges.
- IP 68 rated.
- Approved for **NEMA 4, 4X, 6 and 6P** applications.
- Ratchet design of sealing nut assembly provides superior anti-vibration protection and ensures a firm grip on the cable.
- Acme threads on body prevent skipping and speed installation.
- All nylon construction with Buna N or TPE sealing gland resists salt water, weak acids, gasoline, alcohol, oil, grease, and common solvents. (This feature is not assessed by UL.)
- Multiple sizes for flexible cord diameters ranging from .065" (1,7 mm) to 1.730" (44,0 mm).
- We recommend using the fitting with the smallest maximum diameter that will fit your application.
- **Locknuts not included.** For nylon locknut specifications or to order locknuts separately, see page 3-47.
- For Heyco Liquid Tight Threaded Plugs, see page 3-51.
- Consult Heyco for cordgrips molded in other colors.

| CABLE DIA. RANGE | | | | PART NO. | | DESCRIPTION | UL or CSA | PART DIMENSIONS | | | | | | | | | | |
|------------------|------|---------|------|----------|---------|---------------------|------------------|-----------------|--------------------|------|-----------|-----|------|-----|------|------|------|--|
| Minimum | | Maximum | | Black | Gray | | | A | B | C | D | | E | | | | | |
| in. | mm. | in. | mm. | | | Clearance Hole Dia. | Max. O.A. Length | Thread Length | Wrenching Nut Thk. | | Flat Size | | | | | | | |
| | | | | | | in. | mm. | in. | mm. | in. | mm. | in. | mm. | | | | | |
| .065 | 1,7 | .210 | 5,3 | M4514 | M4515 | RLTCG 1/4 | UL | .540 | 13,7 | 1,29 | 32,8 | .45 | 11,4 | .21 | 5,3 | .63 | 16,0 | |
| .115 | 2,9 | .250 | 6,4 | M4516 | M4517 | LTCG 1/4 | | | | | | | | | | | | |
| .065 | 1,7 | .230 | 5,8 | M3458 | M3459 | RLTCG 3/8 | UL | .680 | 17,3 | 1,41 | 35,8 | .49 | 12,4 | .21 | 5,3 | .82 | 20,8 | |
| .105 | 2,7 | .315 | 8,0 | M3228 | M3229 | LTCG 3/8 | | | | | | | | | | | | |
| .095 | 2,4 | .290 | 7,4 | M4518 | M4519 | RLTCG 1/2 | UL | .875 | 22,2 | 1,70 | 43,2 | .61 | 15,5 | .21 | 5,3 | .98 | 24,9 | |
| .170 | 4,3 | .450 | 11,4 | M3231 | M3232 | LTCG 1/2 | | | | | | | | | | | | |
| .180 | 4,6 | .400 | 10,2 | M4520 | M4521 | RLTCG LL 1/2 | UL | .875 | 22,2 | 1,68 | 42,7 | .44 | 11,2 | .25 | 6,4 | 1,06 | 26,9 | |
| .260 | 6,6 | .545 | 13,8 | M3200 | M3201 | LTCG LL 1/2 | | | | | | | | | | | | |
| .250 | 6,4 | .490 | 12,4 | M3460 | M3461 | RLTCG 3/4 | UL | 1.109 | 28,2 | 2,00 | 50,8 | .62 | 15,7 | .25 | 6,4 | 1,30 | 33,0 | |
| .420 | 10,7 | .630 | 16,0 | M3234GA | M3235GA | LTCG 3/4 | | | | | | | | | | | | |
| .435 | 11,0 | .705 | 17,9 | M3234 | M3235 | | | | | | | | | | | | | |
| .490 | 12,4 | .785 | 19,9 | M8439 | M8440 | RLTCG 1 | UL | 1.326 | 33,7 | 2,41 | 61,2 | .76 | 19,3 | .30 | 7,6 | 1,73 | 43,9 | |
| .590 | 15,0 | 1.000 | 25,4 | M8437 | M8438 | LTCG 1 | | | | | | | | | | | | |
| .787 | 20,0 | 1.020 | 25,9 | M4522 | M4523 | RLTCG 1-1/4 | UL | 1.680 | 42,7 | 2,69 | 68,3 | .78 | 19,8 | .30 | 7,6 | 2,05 | 52,1 | |
| .875 | 22,2 | 1.260 | 32,0 | M4524 | M4525 | LTCG 1-1/4 | | | | | | | | | | | | |
| 1.000 | 25,4 | 1.240 | 31,5 | M3319 | M3320 | RLTCG 1-1/2 | UL | 1.920 | 48,8 | 2,81 | 71,3 | .77 | 19,6 | .36 | 9,1 | 2,46 | 62,5 | |
| 1.230 | 31,2 | 1.560 | 39,6 | M3317 | M3318 | LTCG 1-1/2 | | | | | | | | | | | | |
| 1.160 | 29,5 | 1.350 | 34,3 | M3323 | M3324 | RLTCG 2 | UL | 2.400 | 60,8 | 2,93 | 74,3 | .79 | 20,1 | .42 | 10,7 | 2,73 | 69,3 | |
| 1.450 | 36,8 | 1.730 | 43,9 | M3321 | M3322 | LTCG 2 | | | | | | | | | | | | |

Standard colors black and gray.



| | |
|---------------------|---|
| Material | Nylon 6/6 w/Buna N or TPE Sealing Gland |
| Certifications | <ul style="list-style-type: none"> UL Listed under Underwriters' Laboratories File E51579 UL Recognized under the Component Program of Underwriters' Laboratories File E51579 CSA Certified By Canadian Standard Association File 93876C |
| Flammability Rating | 94V-2-Consult factory for V0 material |
| Temperature Range | Static -40°F (-40°C) to 239°F (115°C) Dynamic -4°F (-20°C) to 212°F (100°C) |
| IP Rating | IP 68 (70 PSI, 5 BAR) |

Quick Specs