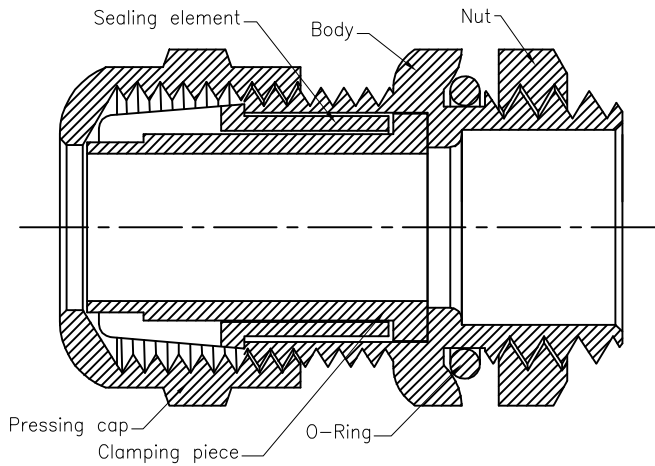
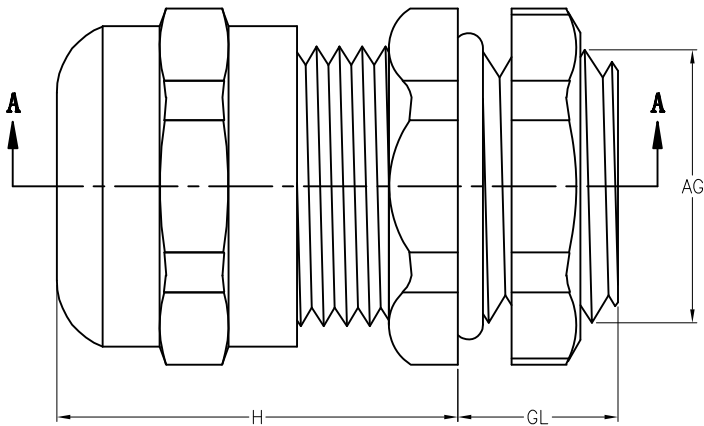


APPROVED: \_\_\_\_\_

DATE: \_\_\_\_\_ TITLE: \_\_\_\_\_

Rev	AWO #	Description	Date	Apr
-		RELEASED	5/10/23	



CG-M-PGX

Unit: mm

ADAM P/N	Screw Item (AG)	Cable range	Screw Thread O.D	Thread Length (GL)	Joint Length (H)
CG-M-PG7	PG7	6.5-3	12.5	7	19
CG-M-PG9	PG9	8-4	15.2	8	20
CG-M-PG11	PG11	10-5	18.6	8	21
CG-M-PG13.5	PG13.5	12-6	20.4	8	22
CG-M-PG16	PG16	14-10	22.5	9	23
CG-M-PG19	PG19	14-10	25	9	25
CG-M-PG21	PG21	18-13	28.3	9	27
CG-M-PG25	PG25	22-15	32	10	29
CG-M-PG29	PG29	22-18	37	11	31
CG-M-PG36	PG36	33-25	47	12	37
CG-M-PG42	PG42	38-32	54	13	38
CG-M-PG48	PG48	44-37	59.3	14	38
CG-M-PG63	PG63	52-42	72	15	42

**SPECIFICATIONS:**

**Material:**

- Body: Brass, Nickel Plated
- Contacts: Brass
- Clamping piece: PA
- Pressing cap: Brass, Nickel Plated
- Nut: Brass, Nickel Plated
- Sealing element: NBR
- O-Ring: NBR

**Mechanical:**

- Applicable cable specifications for wiring:  $\phi 6.5$ - $\phi 3$  mm
- Temperature Rating: 40°C to +100°C
- Environmental: Waterproof: IP68
- Lead free, RoHS compliant



UNLESS OTHERWISE SPECIFIED ALL DIMENSIONS ARE INCHES [MM]. TOLERANCES: EXCEPT AS NOTED

INCHES		HOLES	
.X	$\pm .10$	$\phi X$	$\pm .10$
.XX	$\pm .020$	$\phi XX$	$\pm .015$
.XXX	$\pm .015$	$\phi XXX$	$\pm .010$



909 Rahway Avenue,  
Union, NJ 07083  
Phone: 908-687-5000  
Fax: 908-687-5710

DRAWN	WX	5/10/23
CHECKED	RC	5/10/23
APPROVED		

TITLE  
**PG THREAD WATERPROOF CONNECTOR, IP68,  
1 HOLE, CABLE GLAND**

THIS DRAWING CONTAINS INFORMATION THAT IS PROPRIETARY AND SHOULD NOT BE USED WITHOUT PRIOR WRITTEN PERMISSION FROM ADAM TECH

SIZE <b>X</b>	PART NO. <b>CG-M-PGX</b>	REV. <b>-</b>
REF: -	SCALE: NTS	SHEET 1 OF 1